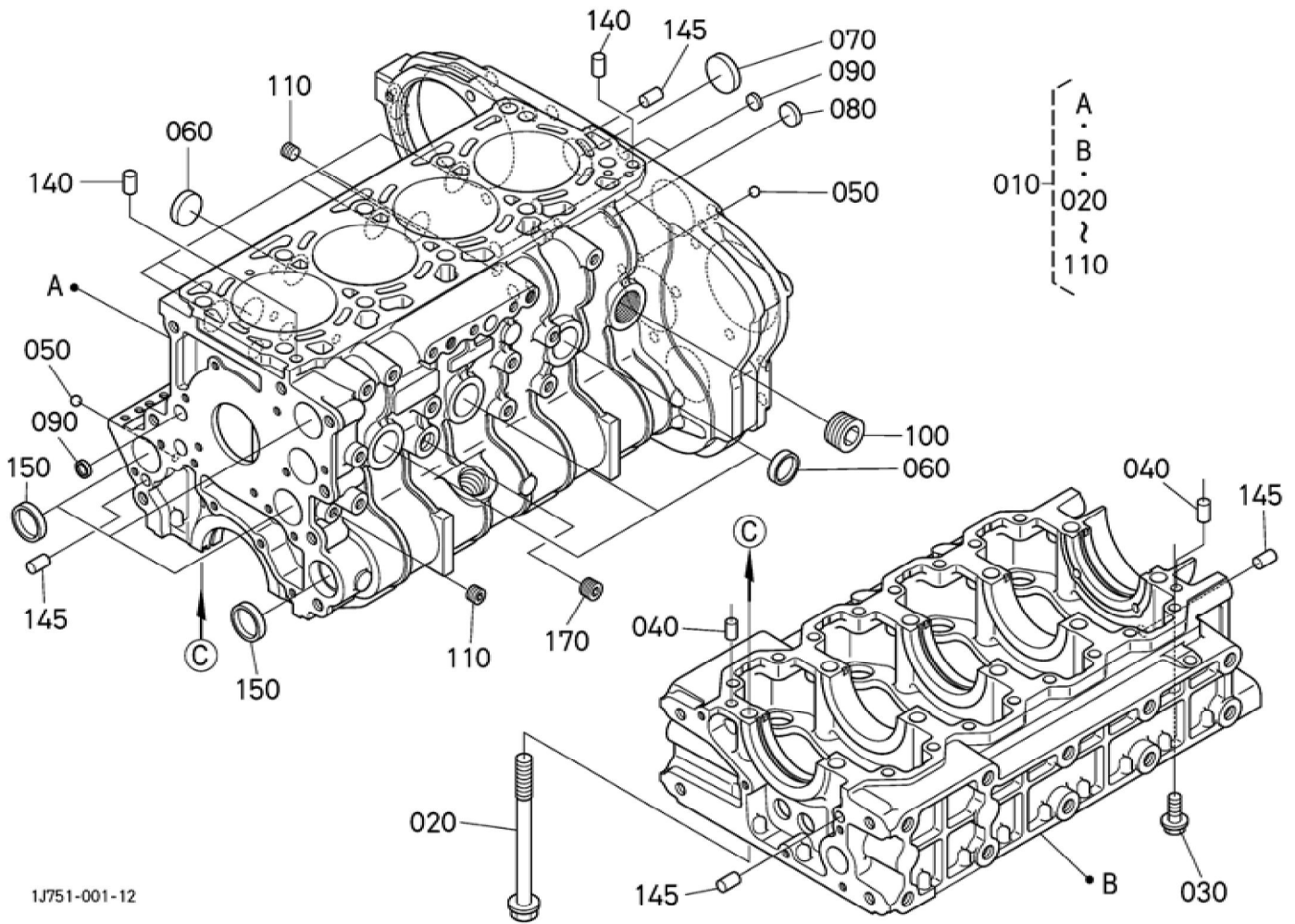


Update Date : 2019/07/18 Print Date : 2022/04/13

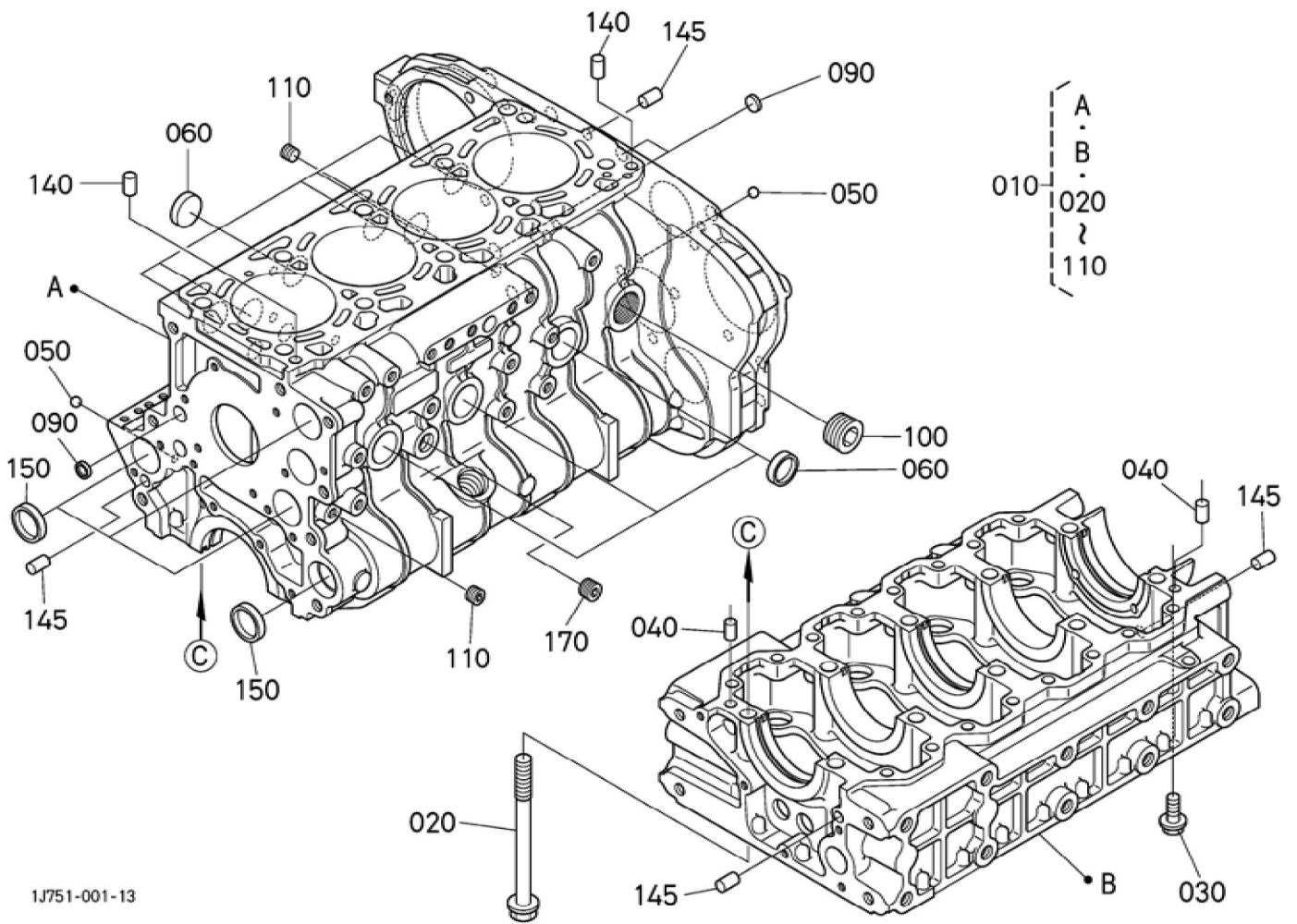


1J751-001-12

Update Date : 2019/07/18 Print Date : 2022/04/13

No.	Part Number	Part Name (POL)	Part Name (ENG)	QTY	IC	Serial No./PIN	Kg	Remarks
010	1J751-01020	GRP. KURBELGEH AEUSE	ASSY CRANKCASE	1			0.001	
020	1G772-03450	BOLZEN	BOLT	10			0.175	
030	1G772-91022	SCHRAUBE	BOLT,FLANG E	16			0.035	
040	05012-01016	ZYLINDERSTI FT	PIN STRAIGHT	2			0.010	
050	07715-03209	KUGEL	BALL	2			0.002	
060	15321-96260	KAPPE	CAP,SEALING	9			0.014	
070	15221-03490	STOPFEN	CAP,SEALING	1			0.020	
080	16851-96270	KAPPE	CAP,SEALING	1			0.005	
090	06311-85016	STOEPSEL,A BDICHTUNG	CAP,SEALING	3			0.003	
100	16683-96020	STOPFEN	PLUG	1			0.088	
110	15521-96020	STOPFEN	PLUG	2			0.003	
140	05012-01016	ZYLINDERSTI FT	PIN STRAIGHT	6		<=AG1207	0.010	
140	05012-01016	ZYLINDERSTI FT	PIN STRAIGHT	2		>=AJ0001	0.010	
145	1G772-94520	ZYLINDERSTI FT	PIN,STRAIGH T	4		>=AJ0001	0.010	
150	15221-03490	STOPFEN	CAP,SEALING	4			0.020	
170	06311-55030	STOPFEN	PLUG	1		<=AC0734	0.050	
170	1A021-96020	STOPFEN	PLUG	1	>>	>=AE0001	0.020	

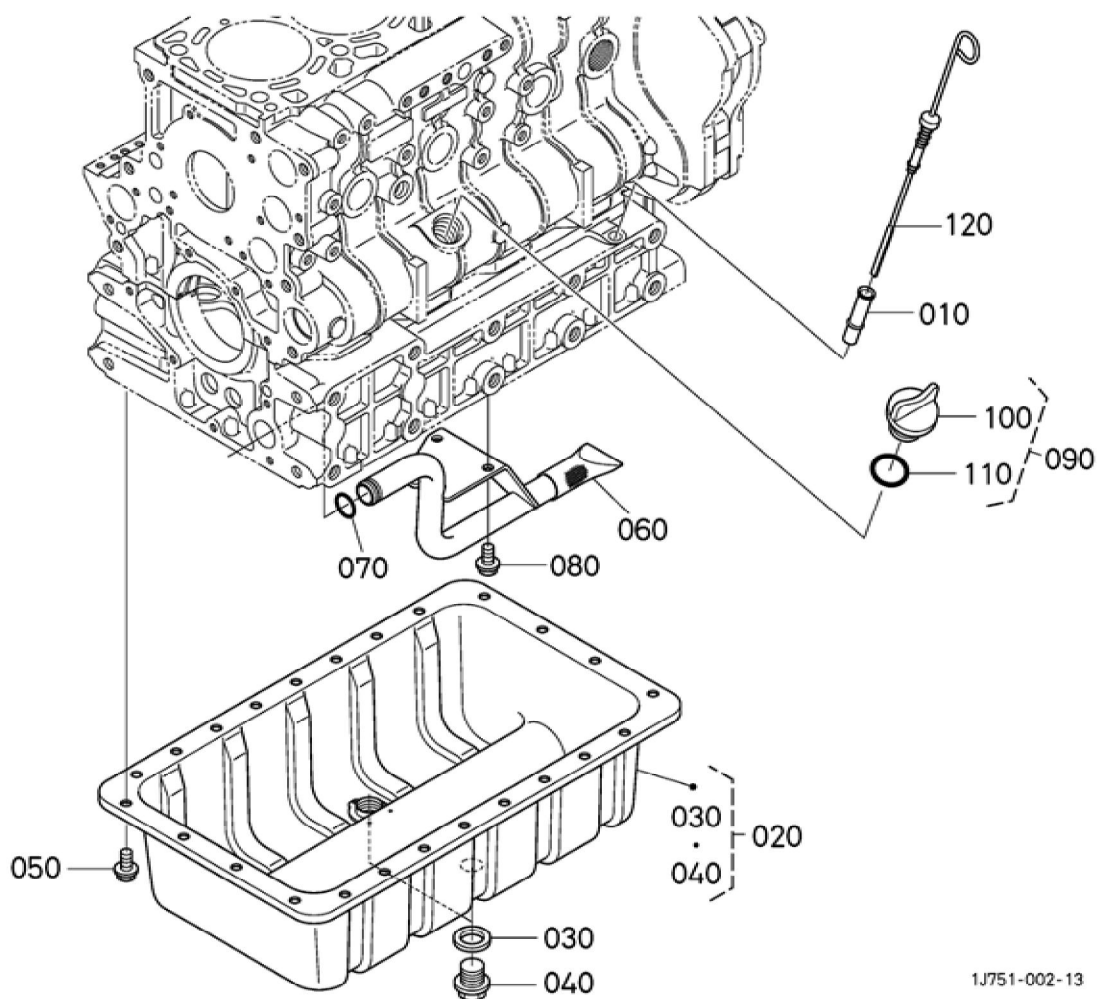
Update Date : 2019/07/18 Print Date : 2022/04/13



1J751-001-13

Update Date : 2019/07/18 Print Date : 2022/04/13

No.	Part Number	Part Name (POL)	Part Name (ENG)	QTY	IC	Serial No./PIN	Kg	Remarks
010	1J751-01023	GRP. KURBELGEH AEUSE	ASSY CRANKCASE	1			94.000	
020	1G772-03450	BOLZEN	BOLT	10			0.175	
030	1G772-91022	SCHRAUBE	BOLT,FLANG E	16			0.035	
040	05012-01016	ZYLINDERSTI FT	PIN STRAIGHT	2			0.010	
050	07715-03209	KUGEL	BALL	2			0.002	
060	15321-96260	KAPPE	CAP,SEALING	9			0.014	
090	06311-85016	STOEPSSEL,A BDICHTUNG	CAP,SEALING	3			0.003	
100	16683-96020	STOPFEN	PLUG	1			0.088	
110	15521-96020	STOPFEN	PLUG	2			0.003	
140	05012-01016	ZYLINDERSTI FT	PIN STRAIGHT	2			0.010	
145	1G772-94520	ZYLINDERSTI FT	PIN,STRAIGH T	4			0.010	
150	15221-03490	STOPFEN	CAP,SEALING	4			0.020	
170	1A021-96020	STOPFEN	PLUG	1			0.020	

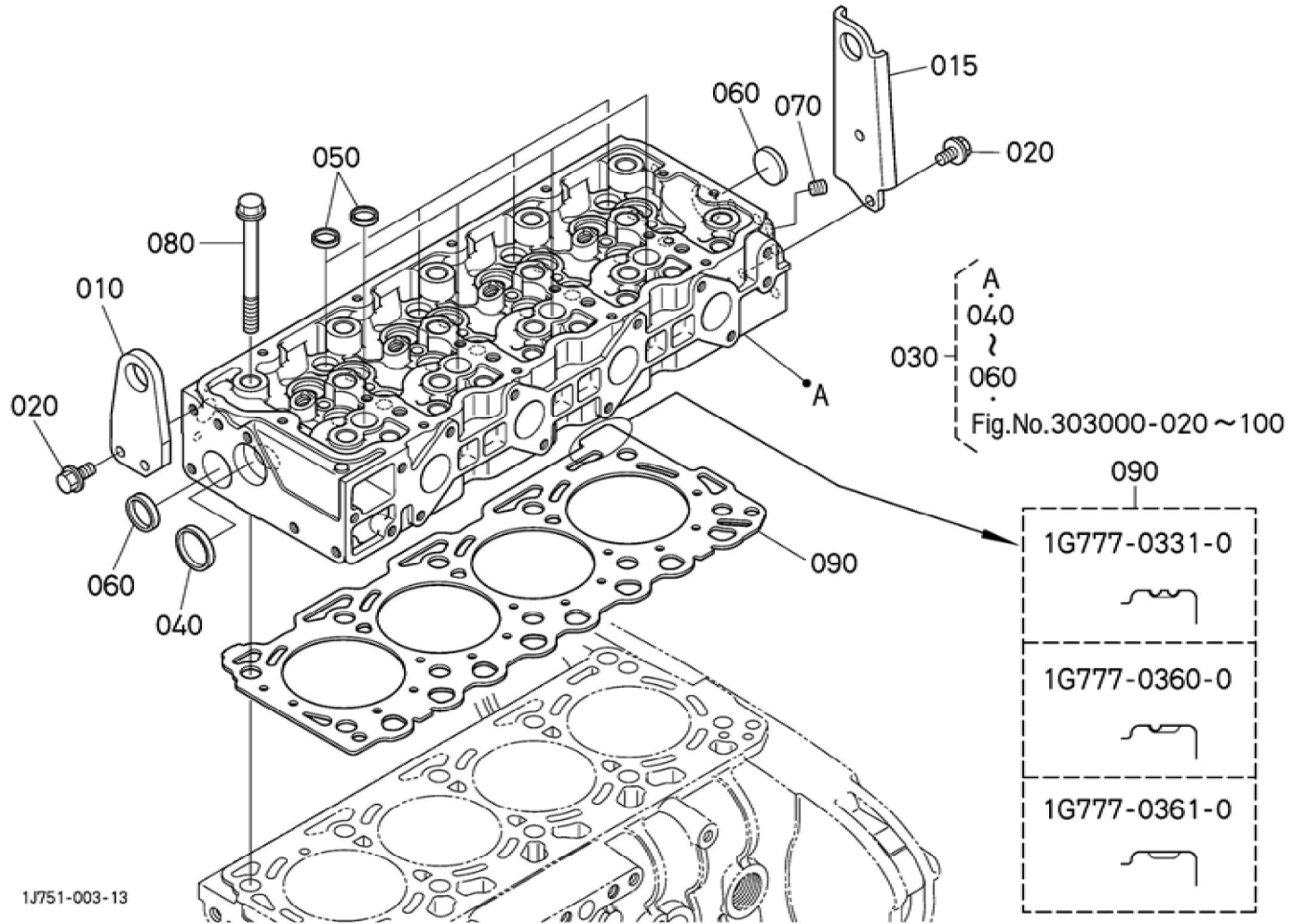


BKIDK0646 >> M6040DTHNB >> MOTOR / ENGINE >> 301000 OELWANNE / OIL PAN

Update Date : 2019/07/18 Print Date : 2022/04/13

No.	Part Number	Part Name (POL)	Part Name (ENG)	QTY	IC	Serial No./PIN	Kg	Remarks
010	16809-36420	FUEHRUNG, OELMESSST AB	GUIDE (GAUGE,OIL)	1			0.028	
020	1G772-01660	GRP.OELWA NNE	KIT OIL PAN	1			4.000	
030	16265-96670	DICHTUNG	PACKING	2			0.010	
040	15707-33750	ENTLEERUN GSSTOPFEN	PLUG(DRAIN)	2			0.095	
050	01755-50816	SCHRAUBE	BOLT,FLANG E	24			0.013	
060	1G772-32110	OELFILTER	FILTER,OIL	1		<=8N1300	0.510	
060	1G772-32114	OELFILTER	FILTER,OIL	1	>>	>=8Q0001	0.415	
070	04815-00200	O RING	O RING	1			0.003	
080	01755-50816	SCHRAUBE	BOLT,FLANG E	2			0.013	
090	1C010-33080	BLINDSTOPF EN	ASSY PLUG,O/FILL ER	1			0.018	
100	E9151-33140	OELEINFUEL LSTOPFEN	PLUG(OIL FILLER)	1			0.017	
110	04817-50300	O RING	O RING	1			0.001	
120	1G774-36410	OELMESSST AB	GAUGE,OIL	1			0.025	

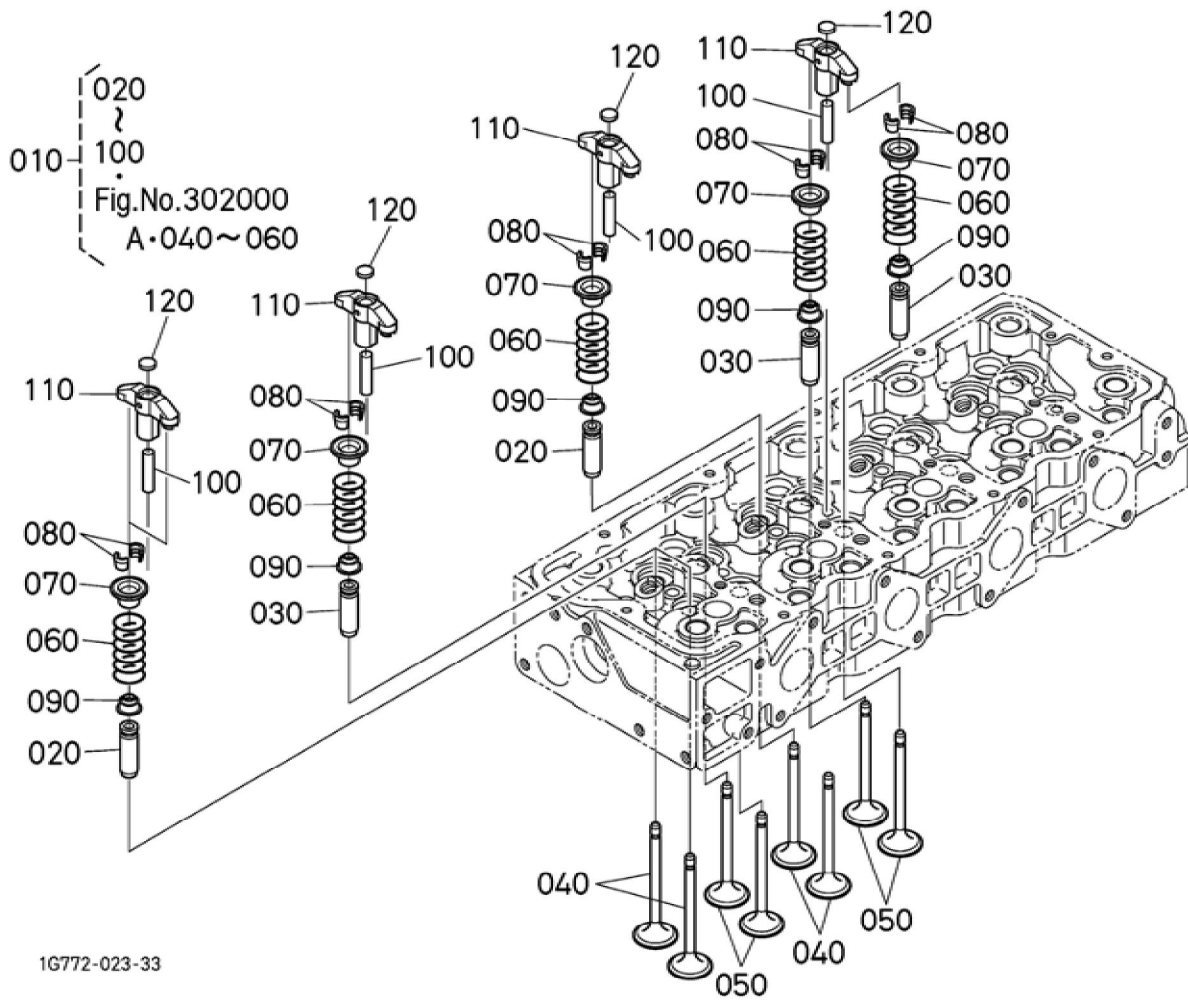
Update Date : 2019/07/18 Print Date : 2022/04/13



Update Date : 2019/07/18 Print Date : 2022/04/13

No.	Part Number	Part Name (POL)	Part Name (ENG)	QTY	IC	Serial No./PIN	Kg	Remarks
010	1G777-01744	MOTORHAKE N	HOOK,ENGIN E	1			0.300	
015	1G777-01754	MOTORHAKE N	HOOK,ENGIN E	1			0.515	
020	01754-50816	SCHRAUBE	BOLT,FLANG E	4			0.011	
030	1G777-03020	GRP.ZYLINDE RKOPF	ASSY CYLINDER HEAD	1		<=AXZ999	25.900	SEE NOTE
030	1G777-03022	GRP.ZYLINDE RKOPF	ASSY CYLINDER HEAD	1	NI	>=AY0001	23.500	
040	15221-03490	STOPFEN	CAP,SEALING	2		<=BTZ999	0.020	
040	15221-03490	STOPFEN	CAP,SEALING	1		>=BU0001	0.020	
050	16851-96270	KAPPE	CAP,SEALING	8			0.005	
060	15321-96260	KAPPE	CAP,SEALING	1		<=BTZ999	0.014	
060	15321-96260	KAPPE	CAP,SEALING	2		>=BU0001	0.014	
070	15521-96020	STOPFEN	PLUG	1			0.003	
080	1G772-03450	BOLZEN	BOLT	10			0.175	
090	1G777-03310	ZYLINDERKO PFDICHTUNG	GASKET,CYLI NDER HEAD	1			0.180	STD/ 2 KERBEN
090	1G777-03600	ZYLINDERKO PFDICHTUNG	GASKET,CYLI NDER HEAD	1			0.210	VERWENDUN G / 1 KERBE
090	1G777-03610	ZYLINDERKO PFDICHTUNG	GASKET,CYLI NDER HEAD	1			0.210	VERWENDUN G / KEINE KERBE

Update Date : 2019/07/18 Print Date : 2022/04/13



16772-023-33

Update Date : 2019/07/18 Print Date : 2022/04/13

No.	Part Number	Part Name (POL)	Part Name (ENG)	QTY	IC	Serial No./PIN	Kg	Remarks
010	1G777-03020	GRP.ZYLINDERKOPF	ASSY CYLINDER HEAD	1		<=AXZ999	25.900	ORDER BY REF.No.010 and 110 NEW PARTS.
010	1G777-03022	GRP.ZYLINDERKOPF	ASSY CYLINDER HEAD	1	NI	>=AY0001	23.500	
020	16261-13540	EINLASSVENTILFUEHRUNG	GUIDE,INLET VALVE	8			0.020	
030	16261-13560	AUSLASSVENTILFUEHRUNG	GUIDE,EXHAUST VALVE	8			0.019	
040	1G772-13110	EINLASSVENTIL	VALVE,INLET	8		<=AXZ999	0.055	BESTELLEN SIE BITTE POS.040,110 NEUE TEILE
040	1G772-13112	EINLASSVENTIL	VALVE,INLET	8	NI	>=AY0001	0.055	
050	1G772-13120	AUSLASSVENTIL	VALVE,EXHAUST	8		<=AXZ999	0.050	BESTELLEN SIE BITTE POS.050,110 NEUE TEILE
050	1G772-13122	AUSLASSVENTIL	VALVE,EXHAUST	8	NI	>=AY0001	0.050	
060	1C010-13240	VENTILFEDER	SPRING,VALVE	16			0.020	
070	16261-13330	HALTER,VENTILFEDER	RETAINER,VALVE SP.	16			0.015	
080	15261-13980	KLEMMSCHEIBE	COLLET (VALVE SPRING)	16			0.002	SET
090	1C010-13150	VENTILDICHTUNG	SEAL,VALVE STEM	16			0.002	
100	1C010-13482	VENTILFUEHRUNG	SHAFT,VALVE BURIGE	8			0.020	
110	1C020-13463	HUBARM,VENTIL	ARM,VALVE BURI.	8		<=AXZ999	0.062	
110	1G772-13460	HUBARM,VENTIL	ARM,VALVE BURI.	8	NI	>=AY0001	0.050	
120	1C010-13490	PUFFER	PAD	8		<=9U0595	0.003	
120	1J700-13492	PUFFER	PAD	8	>>	>=9W0001	0.003	



Download the full PDF manual instantly.

Our customer service e-mail:

aservicemanualpdf@yahoo.com