

1J583-001-10

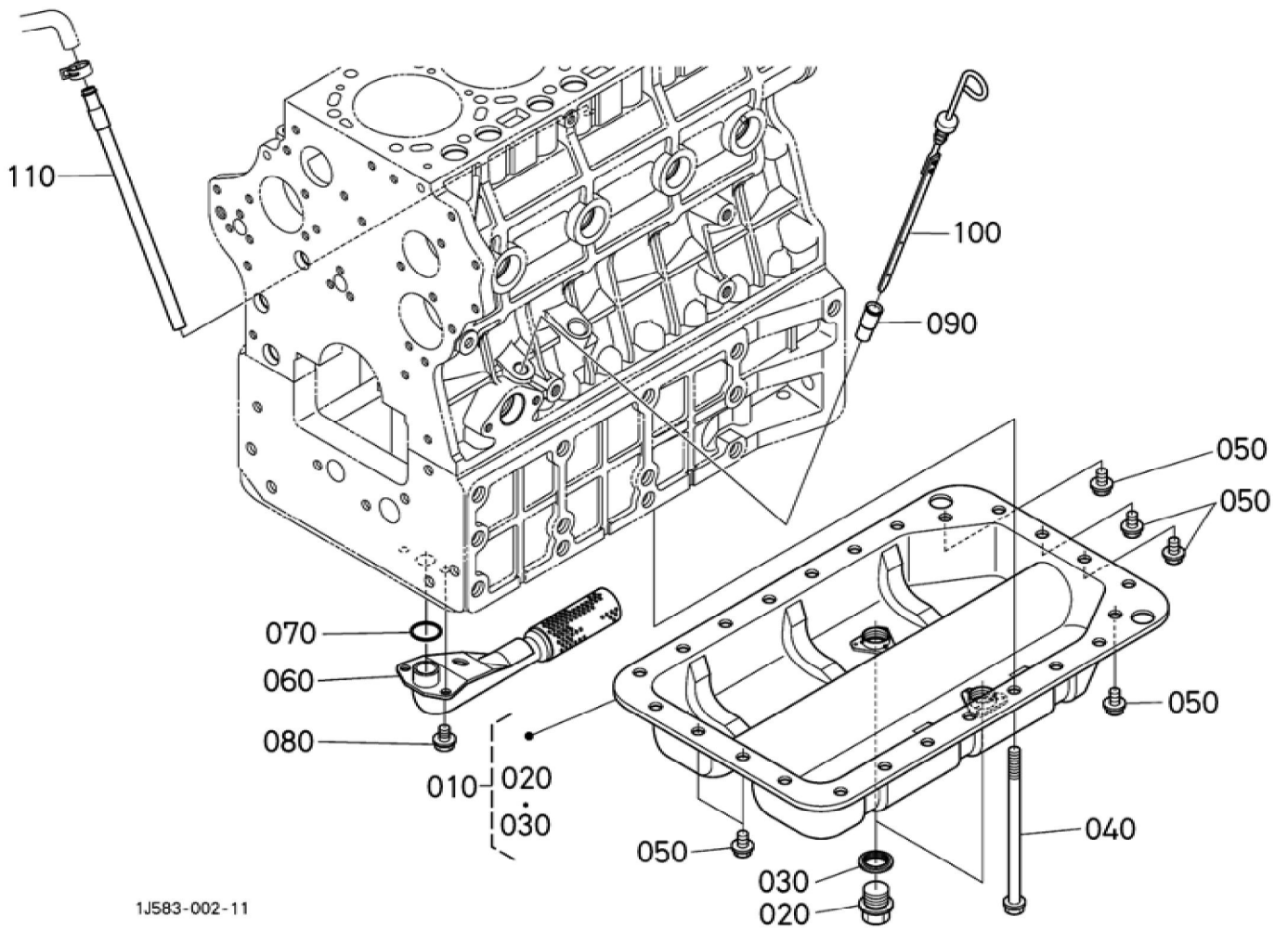
BKIDK5355 >> M5092H >> MOTOR / ENGINE >> 400000 KURBELGHAEUSE / CRANKCASE

Update Date : 26-06-2020 Print Date : 10-04-2022

| No. | Part Number | Part Name (POL) | Part Name (ENG) | QTY | IC | Serial No./PIN | Kg | Remarks |
|-----|-------------|----------------------------|------------------------|-----|----|----------------|--------|-------------------|
| 010 | 1J583-01012 | KOMP.KURBELGHAEUSE | CRANKCASE, COMP | 1 | | | 72.000 | |
| 020 | 15521-96020 | STOPFEN | PLUG | 3 | | | 0.003 | |
| 025 | 15841-96020 | STOPFEN | PLUG | 1 | | | 0.020 | |
| 030 | 1C010-96010 | STOPFEN | PLUG | 1 | | | 0.012 | |
| 040 | 16683-96020 | STOPFEN | PLUG | 1 | | | 0.088 | |
| 050 | 15261-03370 | STOEPSEL, A BDICHTUNG | CAP, SEALING | 4 | | | 0.005 | |
| 060 | 1J550-03380 | STOEPSEL, A BDICHTUNG | PLUG, CUP TYPE | 6 | | | 0.017 | |
| 065 | 15221-03380 | STOPFEN | CAP, SEALING | 2 | | | 0.017 | |
| 070 | 15221-03390 | STOPFEN | CAP, SEALING | 1 | | | 0.030 | |
| 080 | 1C010-96160 | STOPFEN | PLUG, EXPAN SION | 1 | | | 0.050 | |
| 090 | 05012-00820 | ZYLINDERSTI FT | PIN, STRAIGH T | 1 | | | 0.008 | |
| 100 | 05012-01016 | ZYLINDERSTI FT | PIN STRAIGHT | 2 | | | 0.010 | |
| 110 | 15221-33650 | ROHRSTIFT | PIN, PIPE | 2 | | | 0.004 | |
| 120 | 1C010-33643 | STIFT | PIN, STRAIGH T | 1 | | | 0.019 | |
| 130 | 1C010-04560 | BOLZEN | BOLT, BEARIN G CASE | 10 | | | 0.130 | |
| 140 | 1C040-33212 | STIFT | PIPE, OIL | 1 | | | 0.025 | |
| 150 | 1J550-71352 | ROHRSCHAL TUNG | JOINT, PIPE | 1 | | | 0.100 | |
| 160 | 1C010-37114 | ADAPTER, WASSERROH R | JOINT, WATE R PIPE | 1 | | | 0.020 | |
| 170 | 06311-55030 | STOPFEN | PLUG | 1 | | | 0.050 | AUßER GEBRAUCH |
| 180 | 04724-00170 | DICHTUNGSP LATTE | GASKET | 1 | | | 0.005 | |
| 190 | 1C012-01124 | KURBELGHA EUSE | CRANKCASE | 1 | | | 44.050 | |
| 200 | 1C010-33653 | STIFT | PIN, STRAIGH T | 1 | | | 0.037 | |
| 205 | 1C011-94510 | ZYLINDERSTI FT | PIN, STRAIGH T | 2 | | | 0.040 | |

Update Date : 26-06-2020 Print Date : 10-04-2022

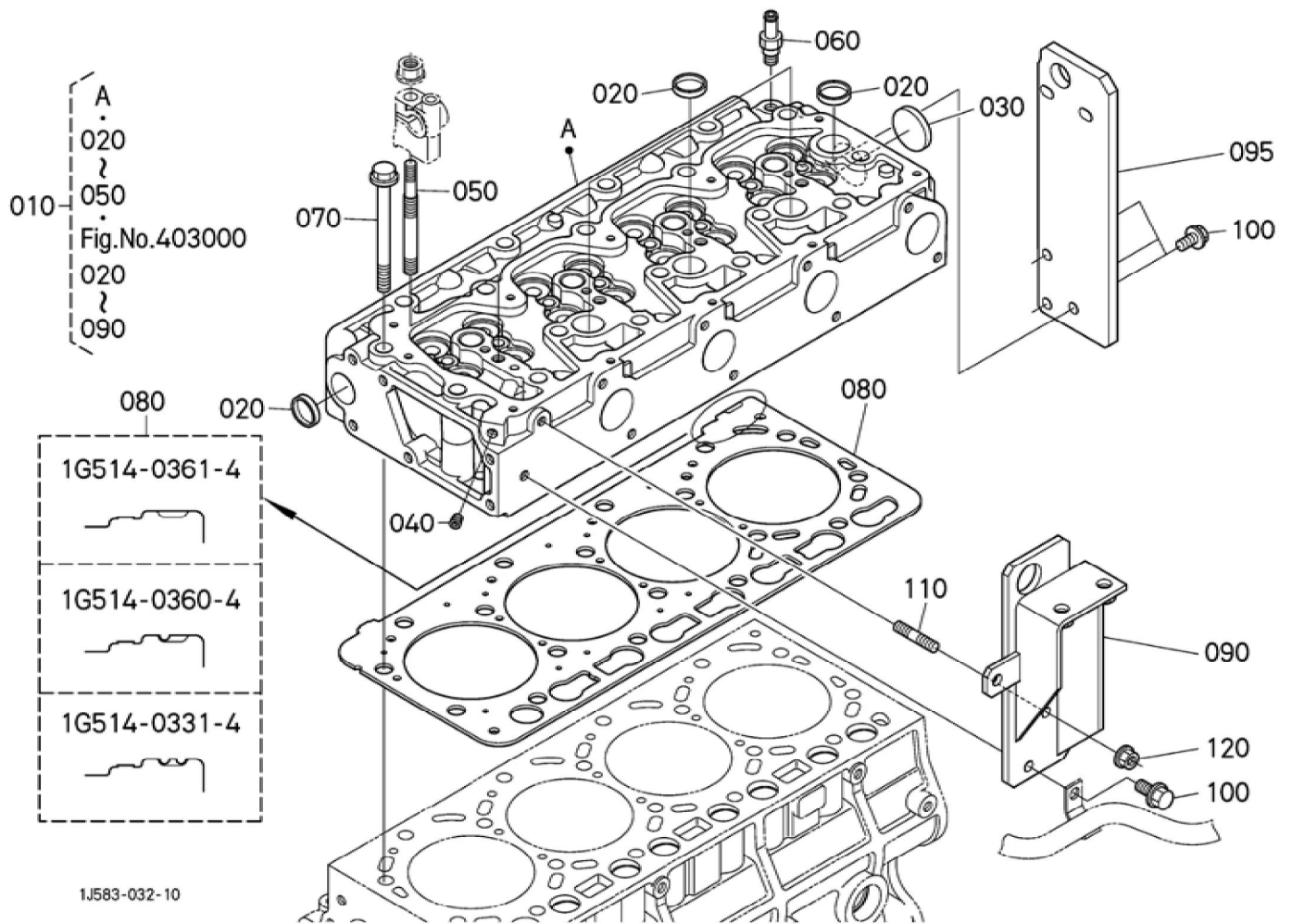
| No. | Part Number | Part Name (POL) | Part Name (ENG) | QTY | IC | Serial No./PIN | Kg | Remarks |
|-----|-------------|--------------------|--------------------|-----|----|----------------|-------|---------|
| 210 | 1C010-33080 | BLINDSTOPFEN | ASSY PLUG,O/FILLER | 1 | | | 0.018 | |
| 220 | E9151-33140 | OELEINFUELLSTOPFEN | PLUG(OIL FILLER) | 1 | | | 0.017 | |
| 230 | 04817-50300 | O RING | O RING | 1 | | | 0.001 | |
| 240 | 15602-33110 | EINFUELLFLANSCH | FLANGE,OIL FILLER | 1 | | | 0.100 | |
| 250 | 15625-32890 | DICHTUNGSPLATTE | GASKET | 1 | | | 0.001 | |
| 260 | 01754-50820 | SCHRAUBE | BOLT,FLANGE | 2 | | | 0.015 | |
| 270 | 1C011-91012 | SCHRAUBE | BOLT,FLANGE | 2 | | | 0.100 | |



BKIDK5355 >> M5092H >> MOTOR / ENGINE >> 401000 OELWANNE / OIL PAN

Update Date : 26-06-2020 Print Date : 10-04-2022

| No. | Part Number | Part Name (POL) | Part Name (ENG) | QTY | IC | Serial No./PIN | Kg | Remarks |
|-----|-------------|------------------------------|---------------------------|-----|----|----------------|-------|---------|
| 010 | 1G511-01605 | KOMP. OELWANNE | PAN,OIL,KIT | 1 | | | 2.430 | |
| 020 | 15707-33750 | ENTLEERUN GSSTOPFEN | PLUG(DRAIN) | 2 | | | 0.095 | |
| 030 | 16265-96670 | DICHTUNG | PACKING | 2 | | | 0.010 | |
| 040 | 1C011-91012 | SCHRAUBE | BOLT,FLANG E | 18 | | | 0.100 | |
| 050 | 1C010-91100 | BOLZEN | BOLT,OILPAN | 6 | | | 0.020 | |
| 060 | 1C011-32115 | OELFILTER | FILTER(OIL) | 1 | | | 0.280 | |
| 070 | 04814-00220 | O RING | O RING | 1 | | | 0.001 | |
| 080 | 01754-50812 | SCHRAUBE | BOLT,FLANG E | 2 | | | 0.008 | |
| 090 | 1C010-36422 | FUEHRUNG, OELMESSST AB | GUIDE,OIL GAUGE | 1 | | | 0.014 | |
| 100 | 1C042-36410 | OELMESSST AB | GAUGE,OIL | 1 | | | 0.030 | |
| 110 | 1J419-05840 | KOMP.ROHR | COMP.PIPE (OIL RETURN) | 1 | | | 0.045 | |

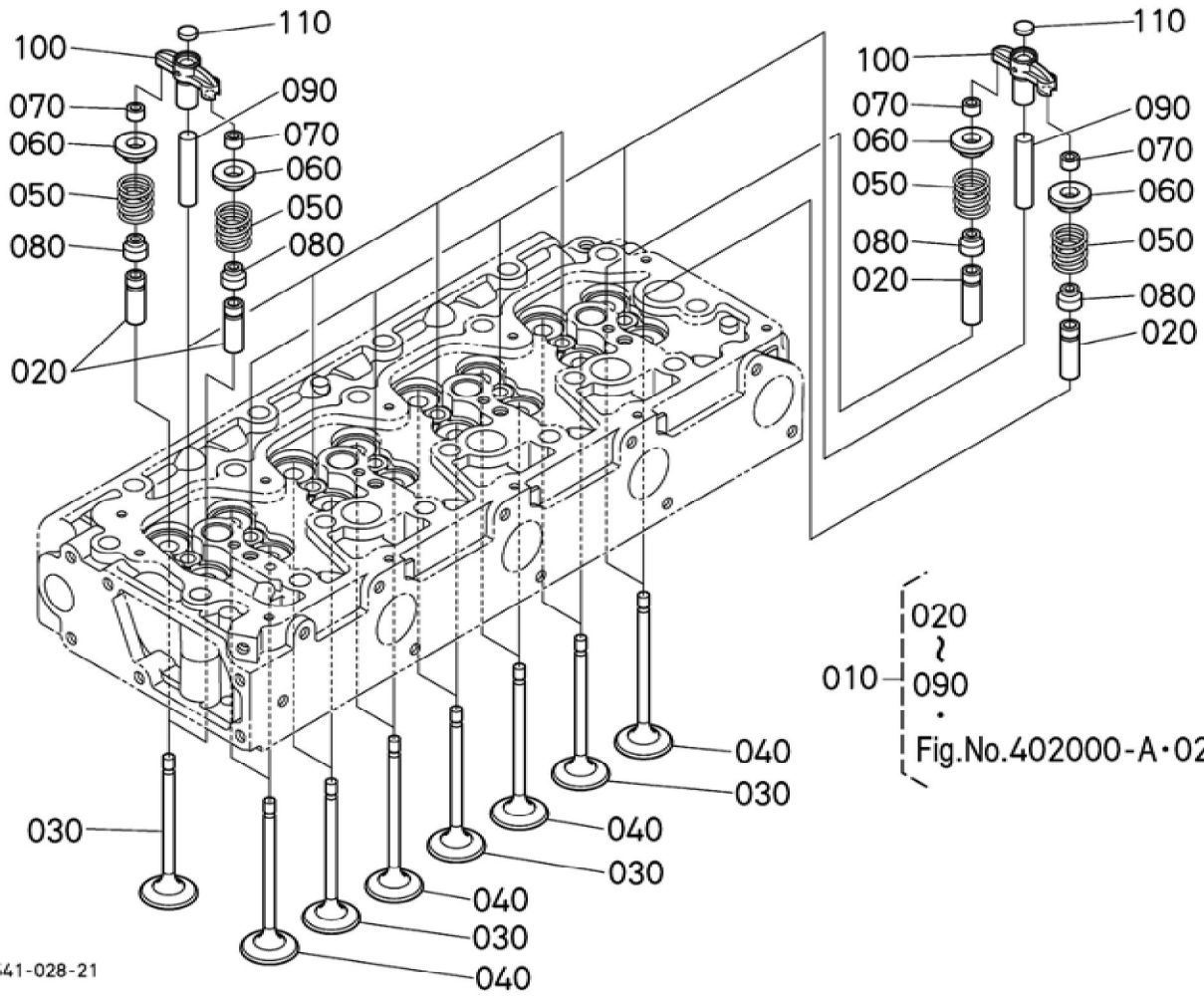


BKIDK5355 >> M5092H >> MOTOR / ENGINE >> 402000 ZYLINDERKOPF / CYLINDER HEAD

Update Date : 26-06-2020 Print Date : 10-04-2022

| No. | Part Number | Part Name (POL) | Part Name (ENG) | QTY | IC | Serial No./PIN | Kg | Remarks |
|-----|-------------|----------------------|--------------------|-----|----|----------------|--------|------------------------|
| 010 | 1J574-03026 | GRP.ZYLINDERKOPF | ASSY CYLINDER HEAD | 1 | | | 26.000 | |
| 020 | 15221-03370 | STOPFEN | PLUG,CUP TYPE | 5 | | | 0.010 | |
| 030 | 15221-03490 | STOPFEN | CAP,SEALING | 1 | | | 0.020 | |
| 040 | 15521-96020 | STOPFEN | PLUG | 1 | | | 0.003 | |
| 050 | 1J574-03410 | STEBOLZEN | STUD | 4 | | | 0.050 | |
| 060 | 1J500-17610 | ROHRVERBINDUNG | JOINT,PIPE (WATER) | 1 | | | 0.025 | |
| 070 | 1C010-03450 | ZYLINDERKOPFSCHRAUBE | BOLT,CYLINDER HEAD | 18 | | | 0.100 | |
| 080 | 1G514-03314 | ZYLINDERKOPFDICHTUNG | GASKET,CYL. HEAD | 1 | | | 0.230 | STD/2 NOTCH |
| 080 | 1G514-03604 | ZYLINDERKOPFDICHTUNG | GASKET,CYL. HEAD | 1 | | | 0.260 | SUITABILITY/ 1 NOTCH |
| 080 | 1G514-03614 | ZYLINDERKOPFDICHTUNG | GASKET,CYL. HEAD | 1 | | | 0.270 | SUITABILITY/ NOT NOTCH |
| 090 | 3B291-12220 | HALTER | BRACKET (MUFFLER) | 1 | | | 1.040 | |
| 095 | 1J500-01742 | MOTOR-ANKERHAKEN | HOOK,ENGINE | 1 | | | 1.190 | |
| 100 | 1J500-91020 | SCHRAUBE | BOLT,FLANGE | 4 | | | 0.012 | |
| 110 | 1J542-91632 | STEBOLZEN | STUD | 1 | | | 0.011 | |
| 120 | 02751-50080 | MUTTER | NUT,FLANGE | 1 | | | 0.006 | |

Update Date : 26-06-2020 Print Date : 10-04-2022

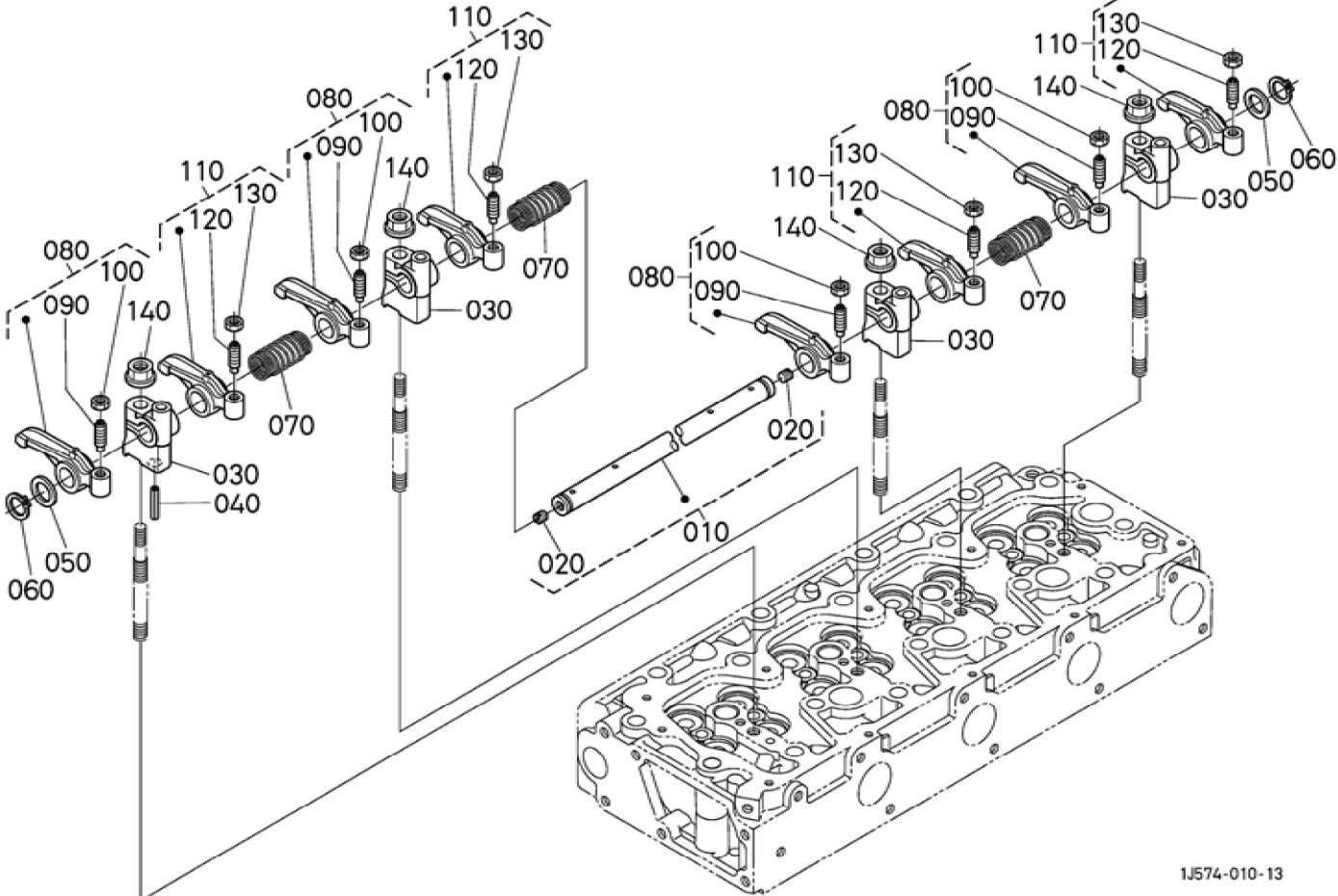


1J541-028-21

Update Date : 26-06-2020 Print Date : 10-04-2022

| No. | Part Number | Part Name (POL) | Part Name (ENG) | QTY | IC | Serial No./PIN | Kg | Remarks |
|-----|-------------|-----------------------|-----------------------|-----|----|----------------|--------|---------|
| 010 | 1J574-03026 | GRP.ZYLINDERKOPF | ASSY CYLINDER HEAD | 1 | | | 26.000 | |
| 020 | 16261-13560 | AUSLASSVENTILFUEHRUNG | GUIDE, EXHAUST VALVE | 16 | | | 0.019 | |
| 030 | 1C020-13113 | EINLASSVENTIL | VALVE, INLET | 8 | | | 0.050 | |
| 040 | 1C020-13123 | AUSLASSVENTIL | VALVE, EXHAUST | 8 | | | 0.050 | |
| 050 | 1C010-13240 | VENTILFEDER | SPRING, VALVE | 16 | | | 0.020 | |
| 060 | 16261-13330 | HALTER, VENTILFEDER | RETAINER, VALVE SP. | 16 | | | 0.015 | |
| 070 | 15261-13980 | KLEMMSCHEIBE | COLLET (VALVE SPRING) | 16 | | | 0.002 | SET |
| 080 | 1C010-13150 | VENTILDICHTUNG | SEAL, VALVE STEM | 16 | | | 0.002 | |
| 090 | 1C010-13482 | VENTILFUEHRUNG | SHAFT, VALVE BURIGE | 8 | | | 0.020 | |
| 100 | 1C020-13463 | HUBARM, VENTIL | ARM, VALVE BURI. | 8 | | | 0.062 | |
| 110 | 1C010-13490 | PUFFER | PAD | 8 | | | 0.003 | |

Update Date : 26-06-2020 Print Date : 10-04-2022





Download the full PDF manual instantly.

Our customer service e-mail:

aservicemanualpdf@yahoo.com