

BKIDK5155 >> M5091HC-GE >> MOTOR / ENGINE >> 400000 KURBELGEHAEUSE / CRANKCASE

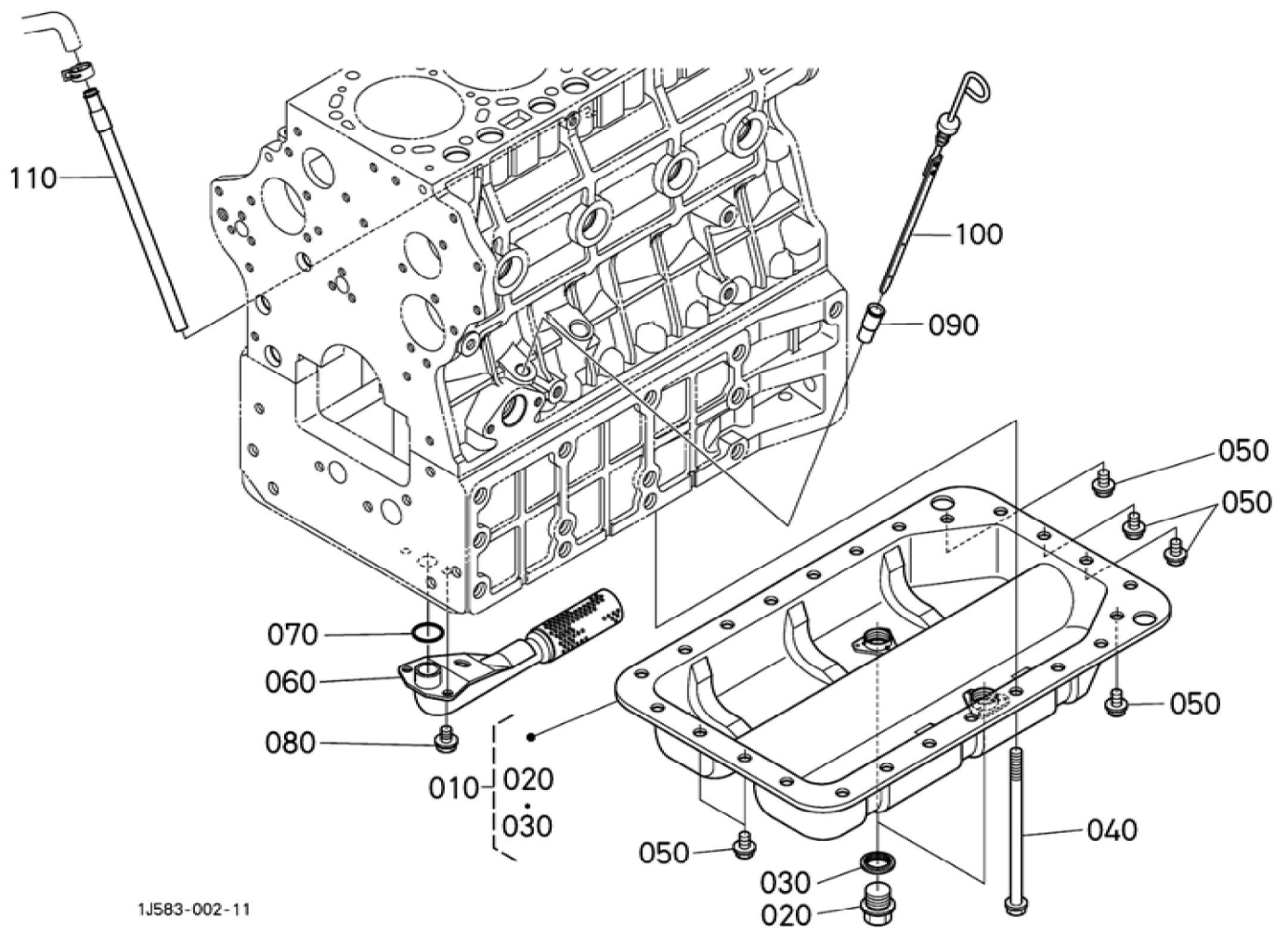
Update Date : 19-03-2020 Print Date : 08-04-2022

No.	Part Number	Part Name (POL)	Part Name (ENG)	QTY	IC	Serial No./PIN	Kg	Remarks
010	1J583-01012	KOMP.KURBELGEHAEUSE	CRANKCASE, COMP	1			72.000	
020	15521-96020	STOPFEN	PLUG	3			0.003	
025	15841-96020	STOPFEN	PLUG	1			0.020	
030	1C010-96010	STOPFEN	PLUG	1			0.012	
040	16683-96020	STOPFEN	PLUG	1			0.088	
050	15261-03370	STOEPSEL, A BDICHTUNG	CAP, SEALING	4			0.005	
060	1J550-03380	STOEPSEL, A BDICHTUNG	PLUG, CUP TYPE	6			0.017	
065	15221-03380	STOPFEN	CAP, SEALING	2			0.017	
070	15221-03390	STOPFEN	CAP, SEALING	1			0.030	
080	1C010-96160	STOPFEN	PLUG, EXPAN SION	1			0.050	
090	05012-00820	ZYLINDERSTI FT	PIN, STRAIGH T	1			0.008	
100	05012-01016	ZYLINDERSTI FT	PIN STRAIGHT	2			0.010	
110	15221-33650	ROHRSTIFT	PIN, PIPE	2			0.004	
120	1C010-33643	STIFT	PIN, STRAIGH T	1			0.019	
130	1C010-04560	BOLZEN	BOLT, BEARIN G CASE	10			0.130	
140	1C040-33212	STIFT	PIPE, OIL	1			0.025	
150	1J550-71352	ROHRSCHAL TUNG	JOINT, PIPE	1			0.100	
160	1C010-37114	ADAPTER, WASSERROH R	JOINT, WATE R PIPE	1			0.020	
170	06311-55030	STOPFEN	PLUG	1			0.050	
180	04724-00170	DICHTUNGSP LATTE	GASKET	1			0.005	
190	1C012-01124	KURBELGHA EUSE	CRANKCASE	1			44.050	
200	1C010-33653	STIFT	PIN, STRAIGH T	1			0.037	
205	1C011-94510	ZYLINDERSTI FT	PIN, STRAIGH T	2			0.040	

BKIDK5155 >> M5091HC-GE >> MOTOR / ENGINE >> 400000 KURBELGEHAEUSE / CRANKCASE

Update Date : 19-03-2020 Print Date : 08-04-2022

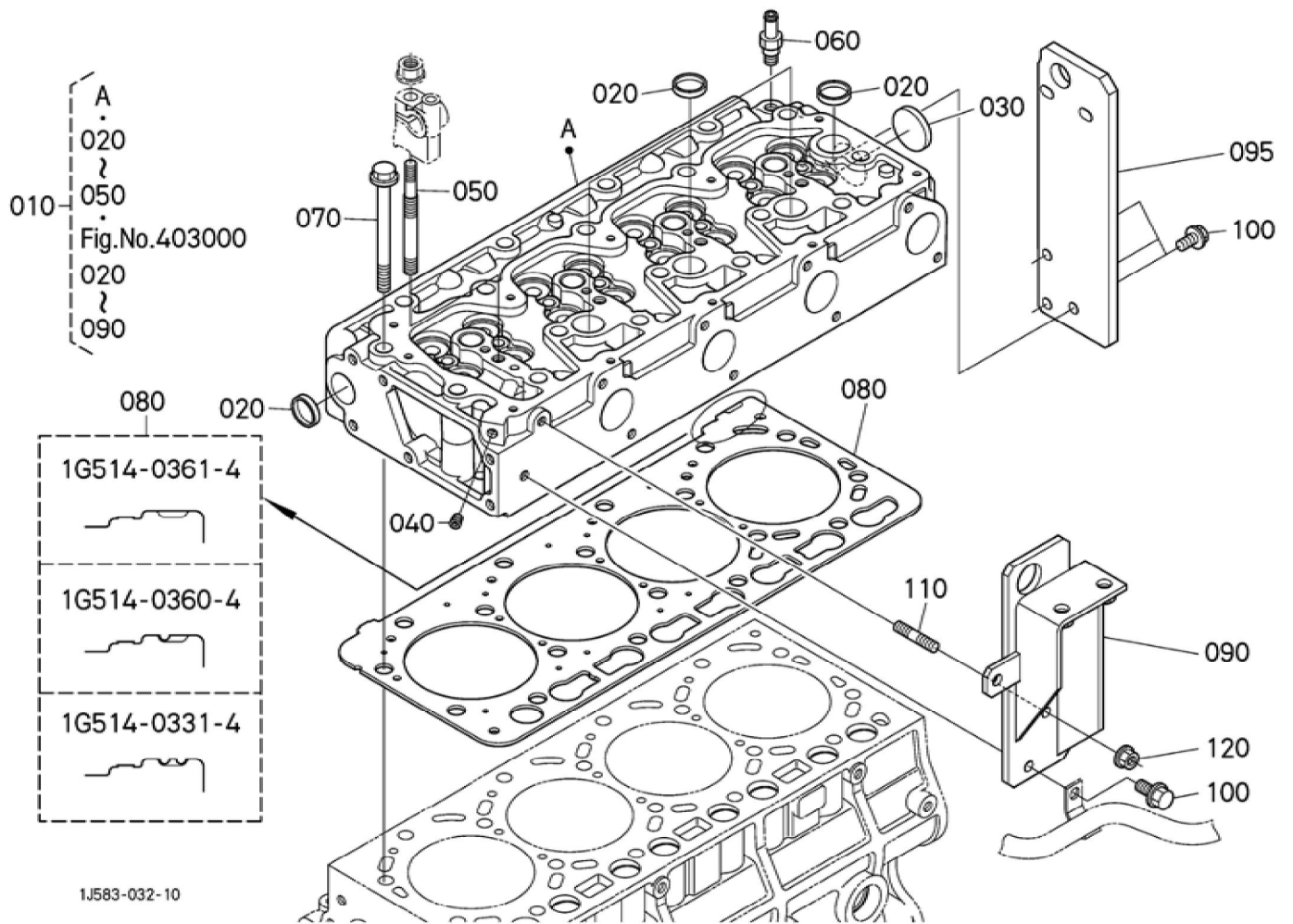
No.	Part Number	Part Name (POL)	Part Name (ENG)	QTY	IC	Serial No./PIN	Kg	Remarks
210	1C010-33080	BLINDSTOPFEN	ASSY PLUG,O/FILLER	1			0.018	
220	E9151-33140	OELEINFUELLSTOPFEN	PLUG(OIL FILLER)	1			0.017	
230	04817-50300	O RING	O RING	1			0.001	
240	15602-33110	EINFUELLFLANSCH	FLANGE,OIL FILLER	1			0.100	
250	15625-32890	DICHTUNGSPLATTE	GASKET	1			0.001	
260	01754-50820	SCHRAUBE	BOLT,FLANGE	2			0.015	
270	1C011-91012	SCHRAUBE	BOLT,FLANGE	2			0.100	



BKIDK5155 >> M5091HC-GE >> MOTOR / ENGINE >> 401000 OELWANNE / OIL PAN

Update Date : 19-03-2020 Print Date : 08-04-2022

No.	Part Number	Part Name (POL)	Part Name (ENG)	QTY	IC	Serial No./PIN	Kg	Remarks
010	1G511-01605	KOMP. OELWANNE	PAN,OIL,KIT	1			2.430	
020	15707-33750	ENTLEERUN GSSTOPFEN	PLUG(DRAIN)	2			0.095	
030	16265-96670	DICHTUNG	PACKING	2			0.010	
040	1C011-91012	SCHRAUBE	BOLT,FLANG E	18			0.100	
050	1C010-91100	BOLZEN	BOLT,OILPAN	6			0.020	
060	1C011-32110	OELFILTER	FILTER(OIL)	1			0.280	
070	04814-00220	O RING	O RING	1			0.001	
080	01754-50812	SCHRAUBE	BOLT,FLANG E	2			0.008	
090	1C010-36422	FUEHRUNG, OELMESSST AB	GUIDE,OIL GAUGE	1			0.014	
100	1C042-36410	OELMESSST AB	GAUGE,OIL	1			0.030	
110	1J419-05840	KOMP.ROHR	COMP.PIPE (OIL RETURN)	1			0.045	

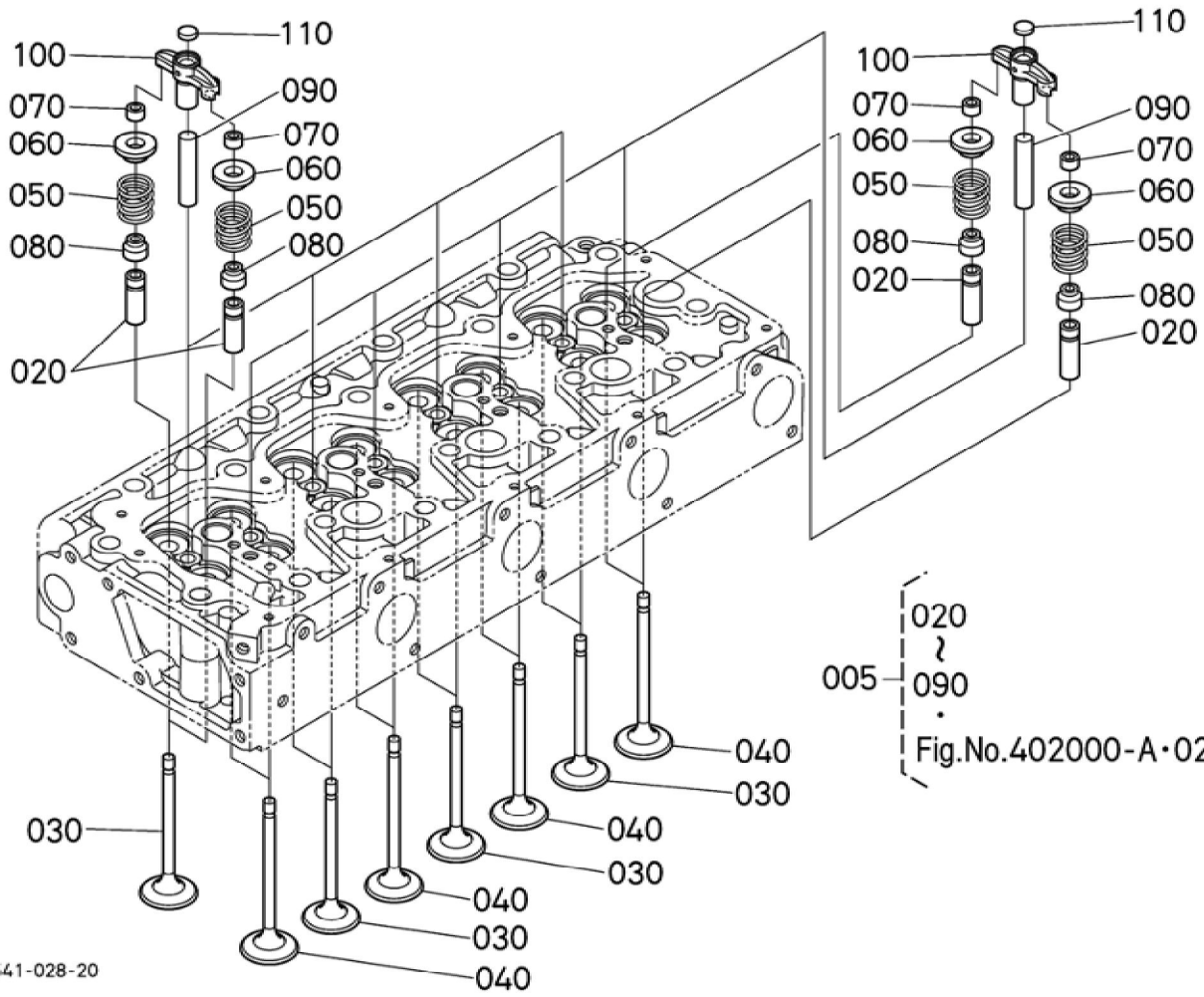


BKIDK5155 >> M5091HC-GE >> MOTOR / ENGINE >> 402000 ZYLINDERKOPF / CYLINDER HEAD

Update Date : 19-03-2020 Print Date : 08-04-2022

No.	Part Number	Part Name (POL)	Part Name (ENG)	QTY	IC	Serial No./PIN	Kg	Remarks
010	1J574-03026	GRP.ZYLINDERKOPF	ASSY CYLINDER HEAD	1			26.000	
020	15221-03370	STOPFEN	PLUG,CUP TYPE	5			0.010	
030	15221-03490	STOPFEN	CAP,SEALING	1			0.020	
040	15521-96020	STOPFEN	PLUG	1			0.003	
050	1J574-03410	STEBOLZEN	STUD	4			0.050	
060	1J500-17610	ROHRVERBINDUNG	JOINT,PIPE (WATER)	1			0.025	
070	1C010-03450	ZYLINDERKOPFSCHRAUBE	BOLT,CYLINDER HEAD	18			0.100	
080	1G514-03314	ZYLINDERKOPFDICHTUNG	GASKET,CYL. HEAD	1			0.230	STD/2 NOTCH
080	1G514-03604	ZYLINDERKOPFDICHTUNG	GASKET,CYL. HEAD	1			0.260	SUITABILITY/ 1 NOTCH
080	1G514-03614	ZYLINDERKOPFDICHTUNG	GASKET,CYL. HEAD	1			0.270	SUITABILITY/ NOT NOTCH
090	3B291-12220	HALTER	BRACKET (MUFFLER)	1			1.040	
095	1J500-01742	MOTOR-ANKERHAKEN	HOOK,ENGINE	1			1.190	
100	1J500-91020	SCHRAUBE	BOLT,FLANGE	4			0.012	
110	1J542-91632	STEBOLZEN	STUD	1			0.011	
120	02751-50080	MUTTER	NUT,FLANGE	1			0.006	

Update Date : 19-03-2020 Print Date : 08-04-2022

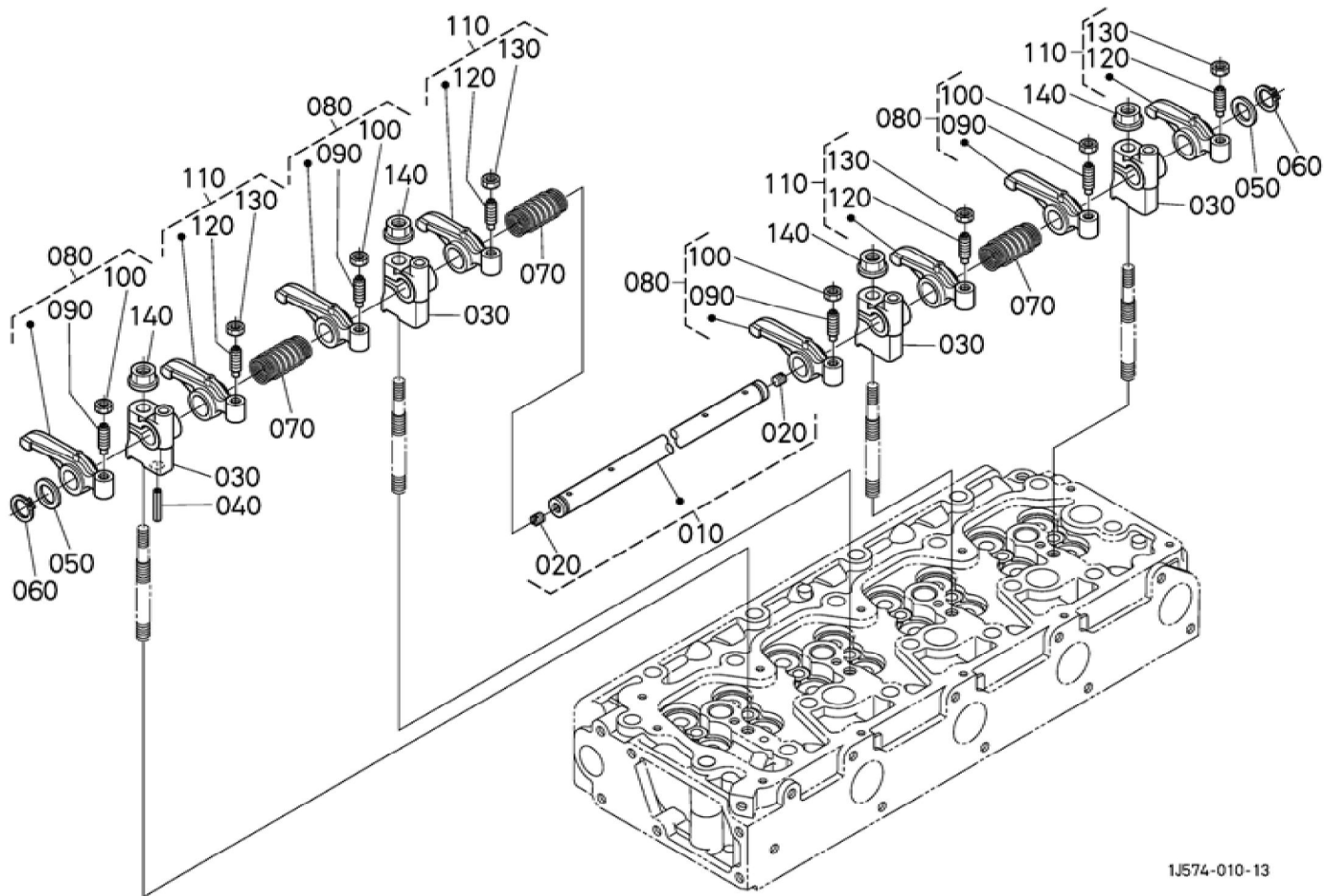


1J541-028-20

Update Date : 19-03-2020 Print Date : 08-04-2022

No.	Part Number	Part Name (POL)	Part Name (ENG)	QTY	IC	Serial No./PIN	Kg	Remarks
005	1J574-03026	GRP.ZYLINDERKOPF	ASSY CYLINDER HEAD	1			26.000	
020	16261-13560	AUSLASSVENTILFUEHRUNG	GUIDE,EXHAUST VALVE	16			0.019	
030	1C020-13112	EINLASSVENTIL	VALVE,INLET	8		<=2HHZ999	0.050	
030	1C020-13113	EINLASSVENTIL	VALVE,INLET	8	>>	>=2HJ0001	0.050	
040	1C020-13122	AUSLASSVENTIL	VALVE,EXHAUST	8		<=2HHZ999	0.050	
040	1C020-13123	AUSLASSVENTIL	VALVE,EXHAUST	8	>>	>=2HJ0001	0.050	
050	1C010-13240	VENTILFEDER	SPRING,VALVE	16			0.020	
060	16261-13330	HALTER,VENTILFEDER	RETAINER,VALVE SP.	16			0.015	
070	15261-13980	KLEMMSCHEIBE	COLLET (VALVE SPRING)	16			0.002	SET
080	1C010-13150	VENTILDICHTUNG	SEAL,VALVE STEM	16			0.002	
090	1C010-13482	VENTILFUEHRUNG	SHAFT,VALVE BURIGE	8			0.020	
100	1C020-13463	HUBARM,VENTIL	ARM,VALVE BURI.	8			0.062	
110	1C010-13490	PUFFER	PAD	8			0.003	

Update Date : 19-03-2020 Print Date : 08-04-2022

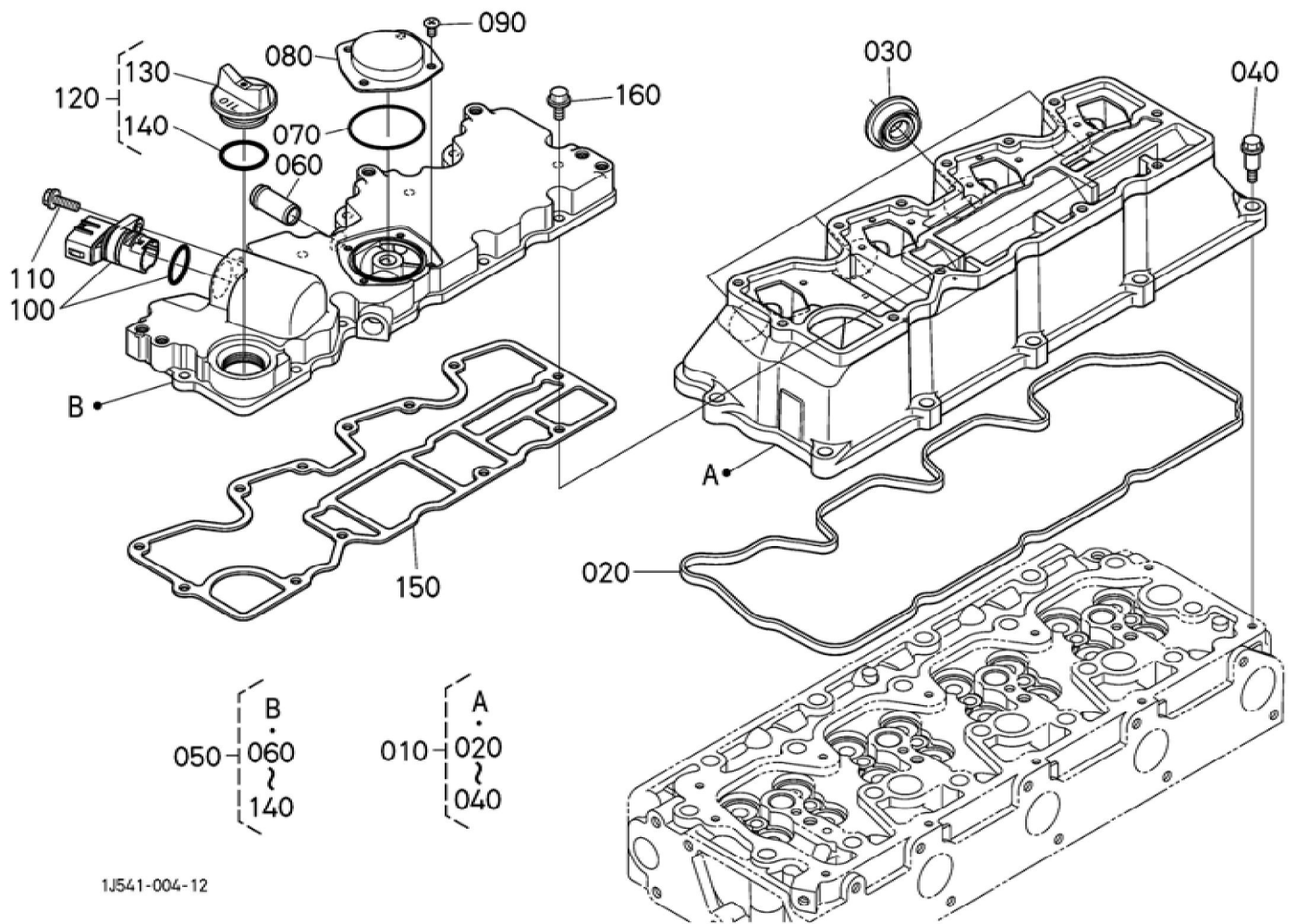


BKIDK5155 >> M5091HC-GE >> MOTOR / ENGINE >> 404000 KIPPENARMWELLE / ROCKER ARM SHAFT

Update Date : 19-03-2020 Print Date : 08-04-2022

No.	Part Number	Part Name (POL)	Part Name (ENG)	QTY	IC	Serial No./PIN	Kg	Remarks
010	1C020-14050	GRP.KIPPHEBELACHSE	ASSY SHAFT,R-ARM	1			0.500	
020	03410-50808	SCHRAUBE	SCREW,SLOTTED	2			0.002	
030	1J574-14353	KIPPHEBELHALTER	BRACKET,ROCKER ARM	4			0.180	
040	05411-00528	STIFT	SPRING PIN	1			0.003	
050	1C010-14430	SCHEIBE	WASHER	2			0.002	
060	04612-00160	SPRENGRING,AUSSEN	CIR-CLIP,EXTERNAL	2			0.001	
070	1C020-14310	FEDER	SPRING (ROCKER ARM)	3			0.010	
080	1C020-14023	SCHWINGHEBEL	ASSY ROCKER ARM,IN.	4			0.130	
090	1G896-14230	STELLSCHRAUBE	SCREW	4			0.010	
100	15021-14240	MUTTER	NUT	4			0.003	
110	1C020-14153	SCHWINGHEBEL	ASSY ROCKER ARM,EXH.	4			0.130	
120	1G896-14230	STELLSCHRAUBE	SCREW	4			0.010	
130	15021-14240	MUTTER	NUT	4			0.003	
140	02771-50100	MUTTER	NUT,FLANGE	4			0.005	

Update Date : 19-03-2020 Print Date : 08-04-2022





Download the full PDF manual instantly.

Our customer service e-mail:

aservicemanualpdf@yahoo.com