

## BKIDK5362 &gt;&gt; M4063DTH(18 SPEED) &gt;&gt; MOTOR / ENGINE &gt;&gt; 300000 KURBELGHAEUSE / CRANKCASE

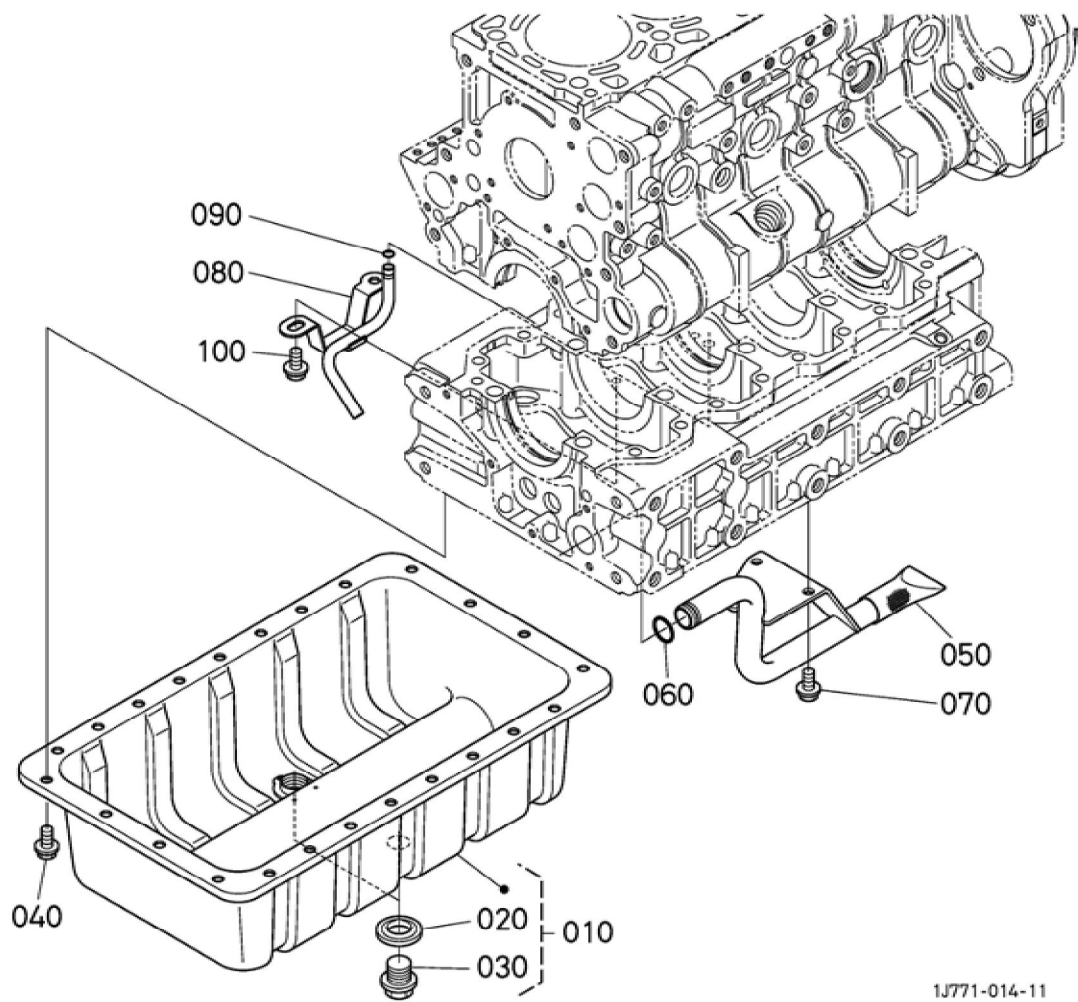
Update Date : 10-12-2020 Print Date : 03-04-2022

No.	Part Number	Part Name (POL)	Part Name (ENG)	QTY	IC	Serial No./PIN	Kg	Remarks
010	1J771-01020	GRP. KURBELGEH AEUSE	CRANKCASE	1			98.000	
020	1G772-03453	BOLZEN	BOLT	10			0.175	
030	1G772-91022	SCHRAUBE	BOLT,FLANG E	16			0.035	
040	05012-01016	ZYLINDERSTI FT	PIN STRAIGHT	2			0.010	
050	07715-03209	KUGEL	BALL	2			0.002	
060	15321-96260	KAPPE	CAP,SEALING	9			0.014	
070	06311-85016	STOEPSSEL,A BDICHTUNG	CAP,SEALING	3			0.003	
080	16683-96020	STOPFEN	PLUG	1			0.088	
090	16691-96022	STOPFEN	PLUG	1			0.002	
095	16691-96022	STOPFEN	PLUG	1			0.002	AUßER GEBRAUCH
100	1G896-33610	BOLZEN	PLUG	1			0.008	
110	15021-33660	DICHTUNGSP LATTE	PACKING	1			0.001	
120	05012-01016	ZYLINDERSTI FT	PIN STRAIGHT	2			0.010	
130	1G772-94520	ZYLINDERSTI FT	PIN,STRAIGH T	4			0.010	
140	15221-03490	STOPFEN	CAP,SEALING	4			0.020	
150	1A021-96020	STOPFEN	PLUG	1			0.020	
160	1C010-33080	BLINDSTOPF EN	ASSY PLUG,O/FILL ER	1			0.018	
170	E9151-33140	OELEINFUEL LSTOPFEN	PLUG(OIL FILLER)	1			0.017	
180	04817-50300	O RING	O RING	1			0.001	
190	3C632-64420	HALTER	STAY (DYNAMO)	1			0.195	
200	1G775-64352	DYNAMOSTA NGE	SUPPORT,DY NAMO	1			0.370	
210	01774-51225	SCHRAUBE	BOLT,FLANG E	1			0.040	
220	01755-50830	SCHRAUBE	BOLT,FLANG E	2			0.090	

BKIDK5362 >> M4063DTH(18 SPEED) >> MOTOR / ENGINE >> 300000 KURBELGHAEUSE / CRANKCASE

Update Date : 10-12-2020 Print Date : 03-04-2022

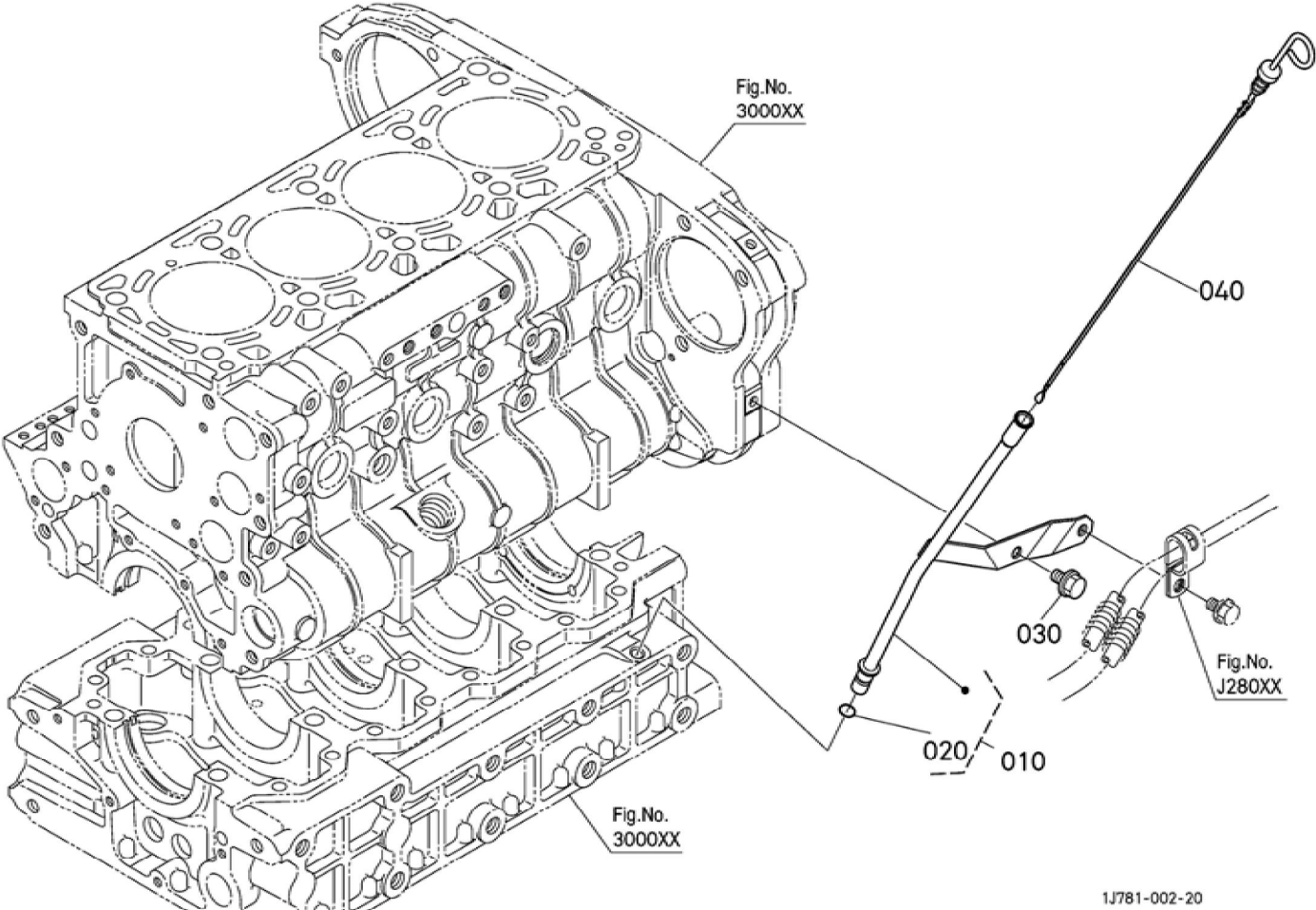
No.	Part Number	Part Name (POL)	Part Name (ENG)	QTY	IC	Serial No./PIN	Kg	Remarks
230	1J415-83150	DECKEL	COVER	1			0.170	
240	1G773-83140	O RING	O RING	1			0.001	
250	01774-51225	SCHRAUBE	BOLT,FLANG E	3			0.040	



## BKIDK5362 &gt;&gt; M4063DTH(18 SPEED) &gt;&gt; MOTOR / ENGINE &gt;&gt; 301000 OELWANNE / OIL PAN

Update Date : 10-12-2020 Print Date : 03-04-2022

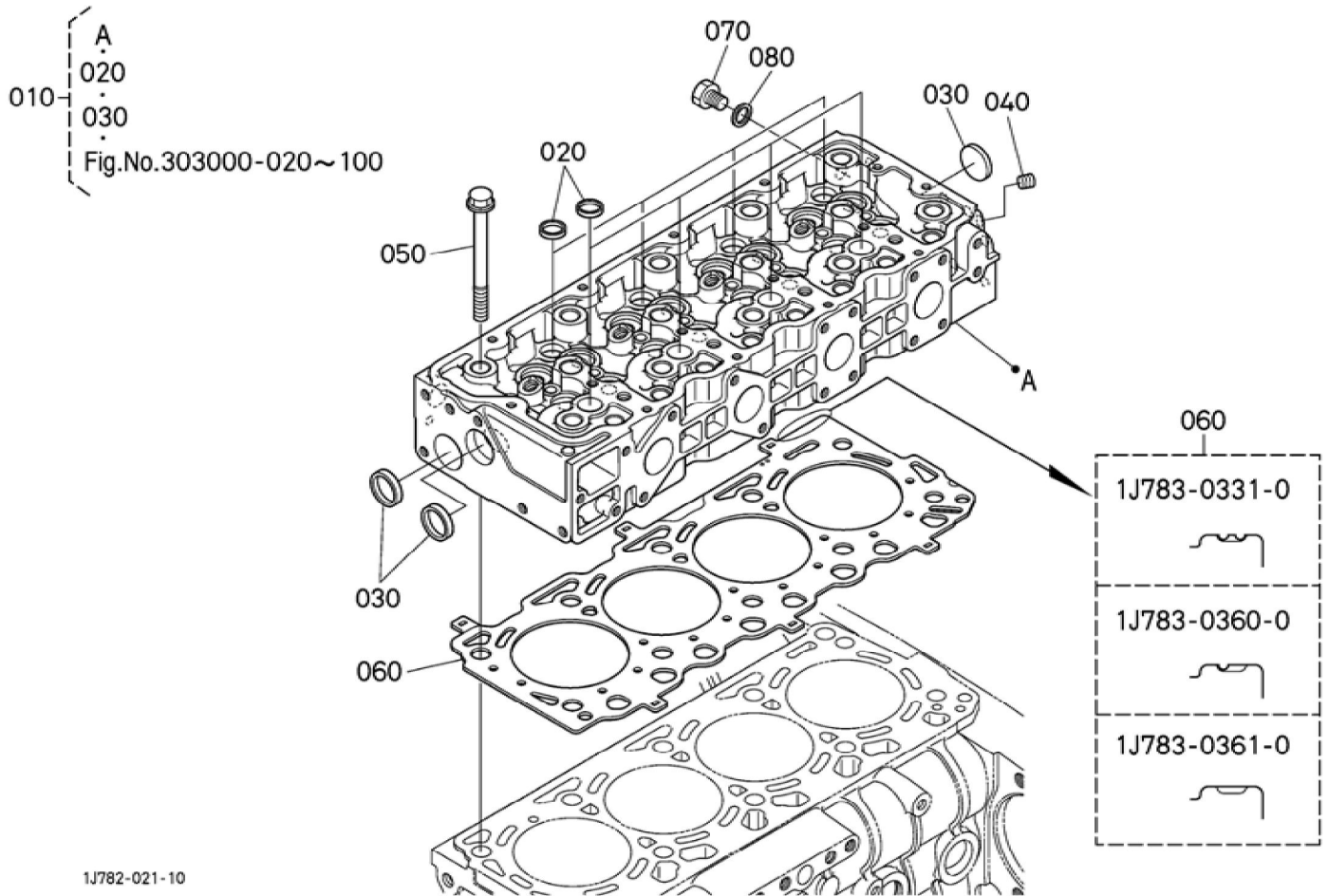
No.	Part Number	Part Name (POL)	Part Name (ENG)	QTY	IC	Serial No./PIN	Kg	Remarks
010	1G772-01660	GRP.OELWANNE	KIT OIL PAN	1			4.000	
020	04717-02200	GUMMIUNTERLAGE	WASHER, SEAL	2			0.006	
030	15707-33750	ENTLEERUNGSSTOPFEN	PLUG(DRAIN)	2			0.095	
040	01755-50816	SCHRAUBE	BOLT, FLANGE	24			0.013	
050	1G772-32114	OELFILTER	FILTER,OIL	1			0.415	
060	04817-00200	O RING	O RING	1			0.011	
070	01755-50816	SCHRAUBE	BOLT, FLANGE	2			0.013	
080	1J770-05970	ROHR	PIPE(OIL RETURN,2)	1			0.095	
090	1J770-05980	O RING	O-RING	1			0.001	
100	01755-50816	SCHRAUBE	BOLT, FLANGE	2			0.013	



BKIDK5362 >> M4063DTH(18 SPEED) >> MOTOR / ENGINE >> 301500 OELMESSSTAB / DIPSTICK

Update Date : 10-12-2020 Print Date : 03-04-2022

No.	Part Number	Part Name (POL)	Part Name (ENG)	QTY	IC	Serial No./PIN	Kg	Remarks
010	1J771-36503	GRP.FUEHRUNG	GUIDE,ASSY (OIL GAUGE)	1			0.165	
020	04814-00090	O RING	O RING	1			0.001	
030	01754-50812	SCHRAUBE	BOLT,FLANGE	1			0.008	
040	1J771-36410	OELMESSSTAB	GAUGE,ENG. OIL	1			0.030	



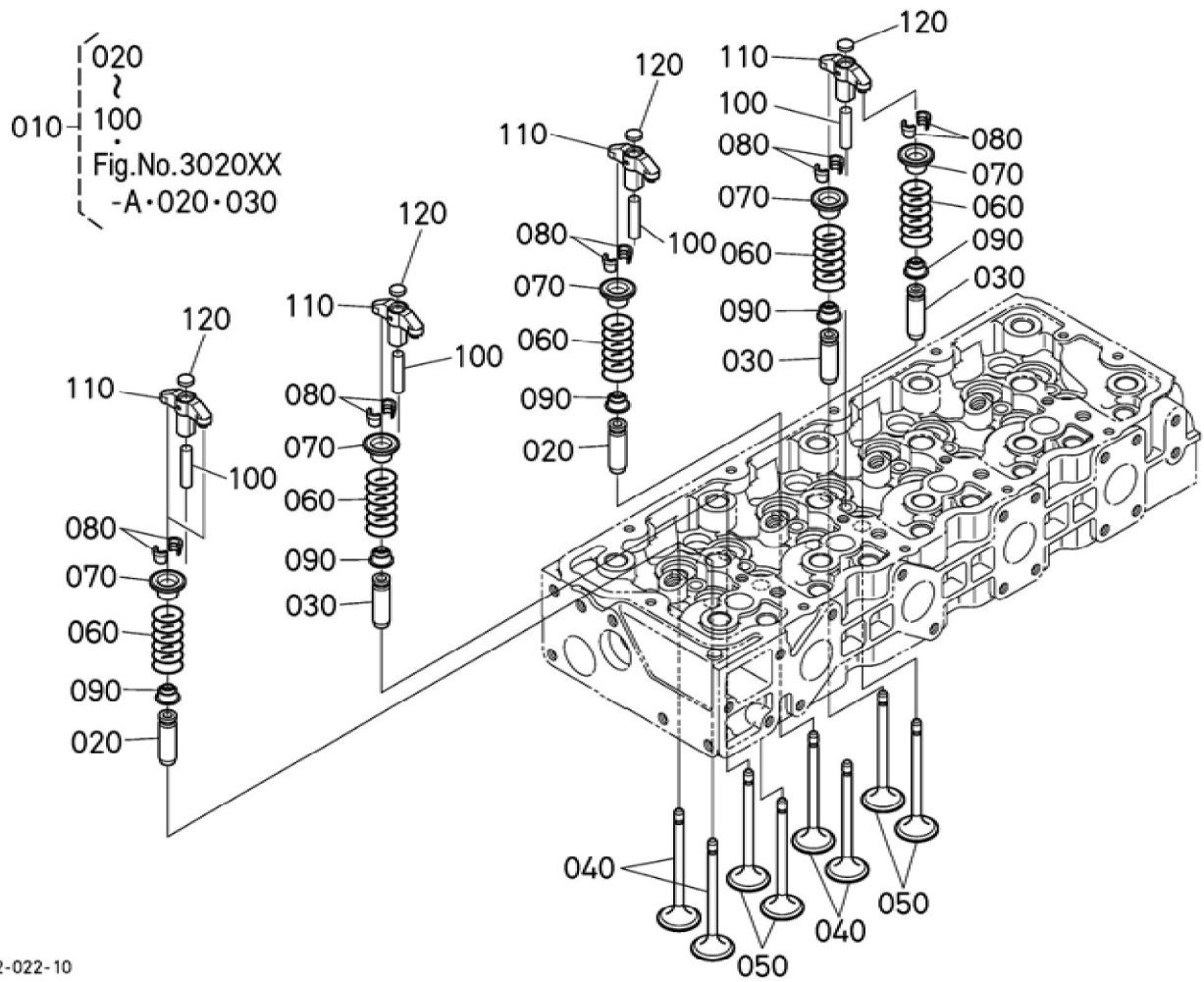


## BKIDK5362 &gt;&gt; M4063DTH(18 SPEED) &gt;&gt; MOTOR / ENGINE &gt;&gt; 302000 ZYLINDERKOPF / CYLINDER HEAD

Update Date : 10-12-2020 Print Date : 03-04-2022

No.	Part Number	Part Name (POL)	Part Name (ENG)	QTY	IC	Serial No./PIN	Kg	Remarks
010	1J775-03030	ZYLINDERKOPF,KOMP.	HEAD,CYLINDER,SUB-ASSY	1			25.000	
020	16851-96270	KAPPE	CAP,SEALING	8			0.005	
030	15321-96260	KAPPE	CAP,SEALING	3			0.014	
040	15521-96020	STOPFEN	PLUG	1			0.003	
050	1J770-03450	ZYLINDERKOPFSCHRAUBE	BOLT,HEAD	10			0.170	
060	1J783-03310	ZYLINDERKOPFDICHTUNG	GASKET (CYL.HEAD)	1			0.220	STD/ 2 KERBEN
060	1J783-03600	ZYLINDERKOPFDICHTUNG	GASKET (CYL.HEAD)	1			0.240	VERWENDUNG / 1 KERBE
060	1J783-03610	ZYLINDERKOPFDICHTUNG	GASKET (CYL.HEAD)	1			0.270	VERWENDUNG / KEINE KERBE
070	15109-33630	ENTLEERUNGSSTOPFEN	PLUG,DRAIN	1			0.025	
080	15109-33660	DICHTUNGSPLATTE	GASKET	1			0.001	

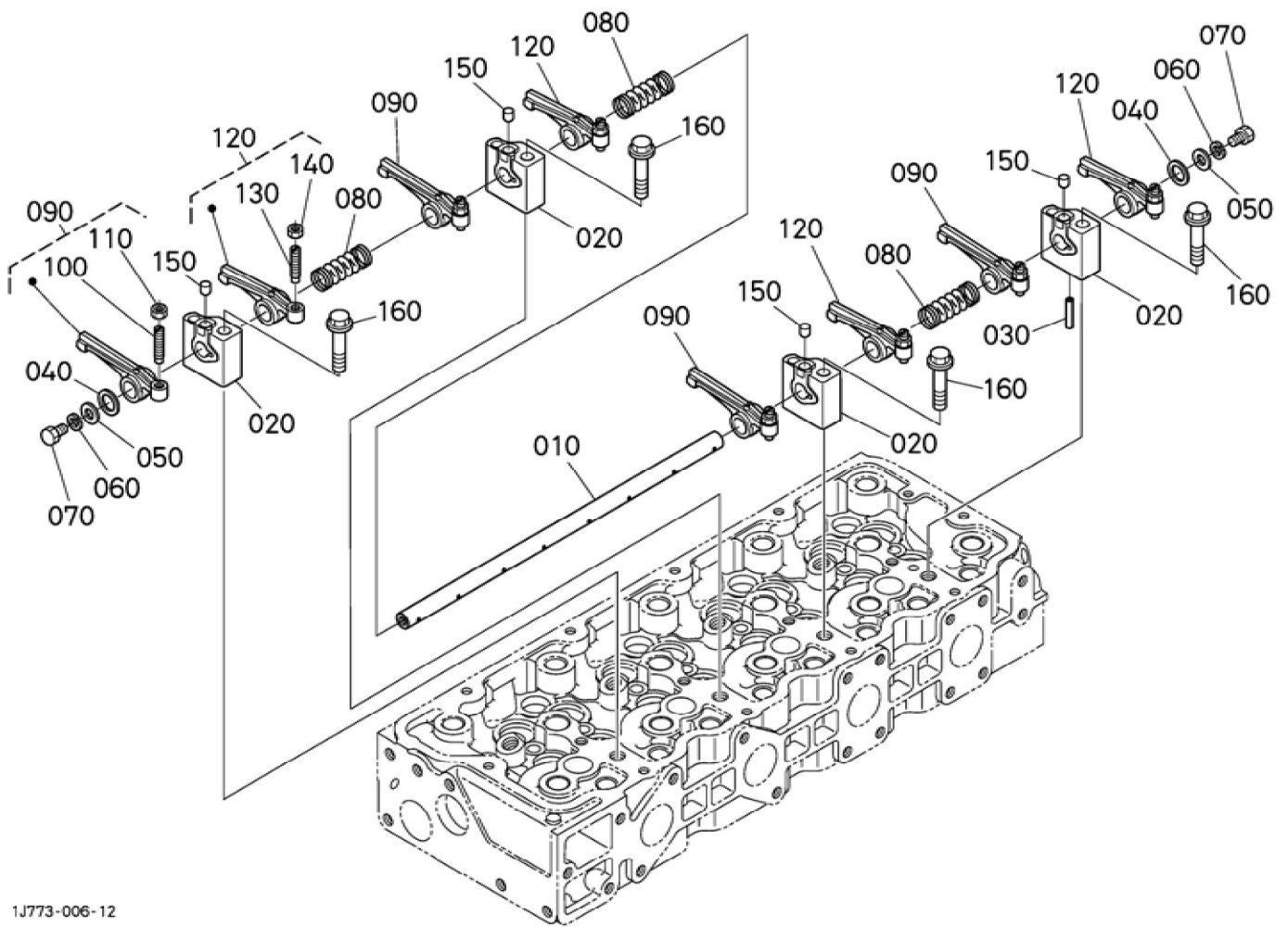
Update Date : 10-12-2020 Print Date : 03-04-2022



Update Date : 10-12-2020 Print Date : 03-04-2022

No.	Part Number	Part Name (POL)	Part Name (ENG)	QTY	IC	Serial No./PIN	Kg	Remarks
010	1J775-03030	ZYLINDERKOPF, KOMP.	HEAD, CYLINDER, SUB-ASSY	1			25.000	
020	1G777-13540	EINLASSVENTILFUHRUNG	GUIDE (INLET VALVE)	8			0.020	
030	1G777-13560	AUSLASSVENTILFUHRUNG	GUIDE (EXHAUST VALVE)	8			0.020	
040	1G772-13114	EINLASSVENTIL	VALVE, INLET	8			0.055	
050	1G772-13125	AUSLASSVENTIL	VALVE, EXHAUST	8			0.050	
060	1C010-13240	VENTILFEDER	SPRING, VALVE	16			0.020	
070	16261-13330	HALTER, VENTILFEDER	RETAINER, VALVE SP.	16			0.015	
080	15261-13980	KLEMMSCHEIBE	COLLET (VALVE SPRING)	16			0.002	SET
090	1C010-13150	VENTILDICHTUNG	SEAL, VALVE STEM	16			0.002	
100	1C010-13482	VENTILFUHRUNG	SHAFT, VALVE BURIGE	8			0.020	
110	1G772-13460	HUBARM, VENTIL	ARM, VALVE BURIG.	8			0.050	
120	1J700-13492	PUFFER	PAD	8			0.003	

Update Date : 10-12-2020 Print Date : 03-04-2022





**Download the full PDF manual instantly.**

**Our customer service e-mail:**

**[aservicemanualpdf@yahoo.com](mailto:aservicemanualpdf@yahoo.com)**