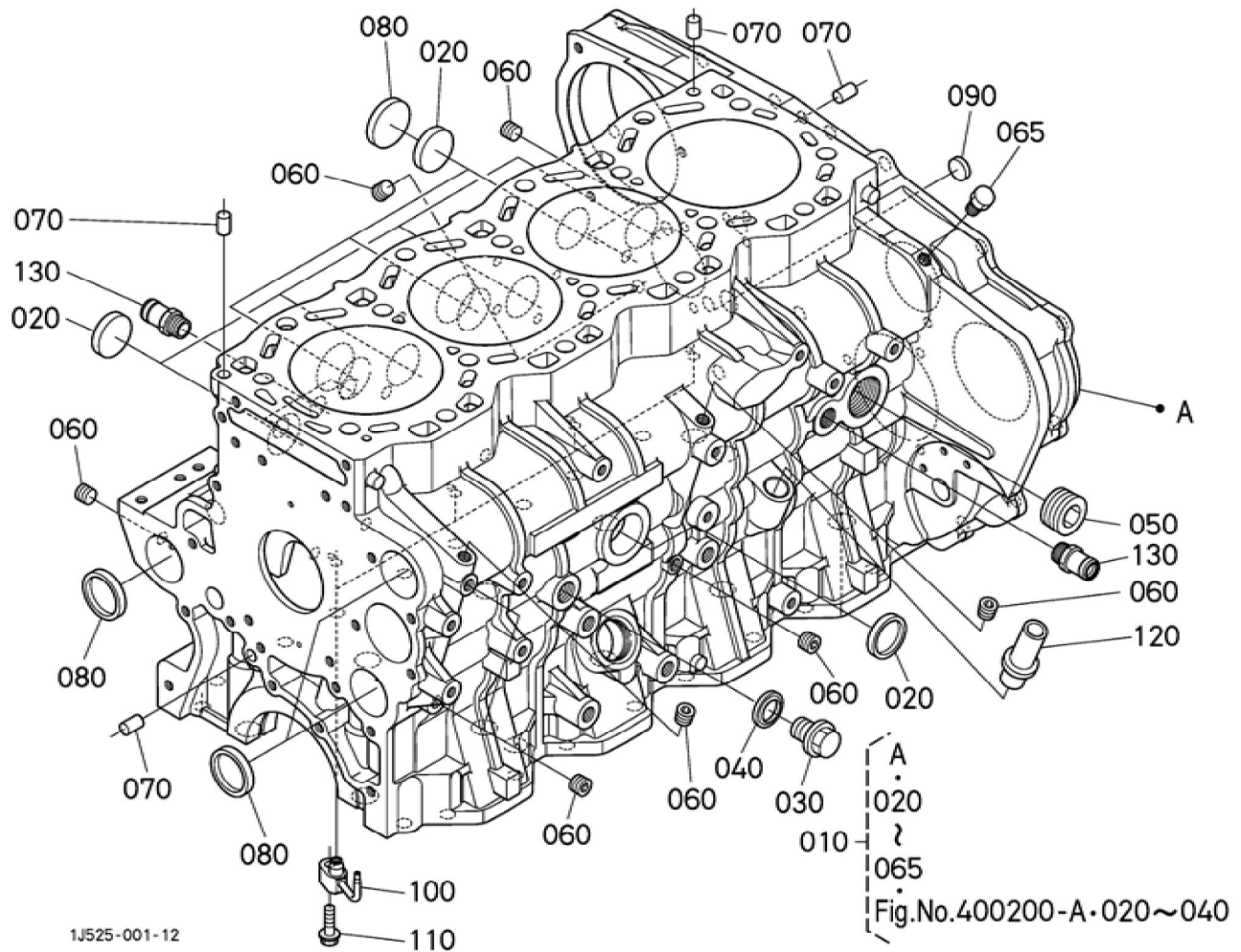


Update Date : 06-12-2019 Print Date : 02-04-2022

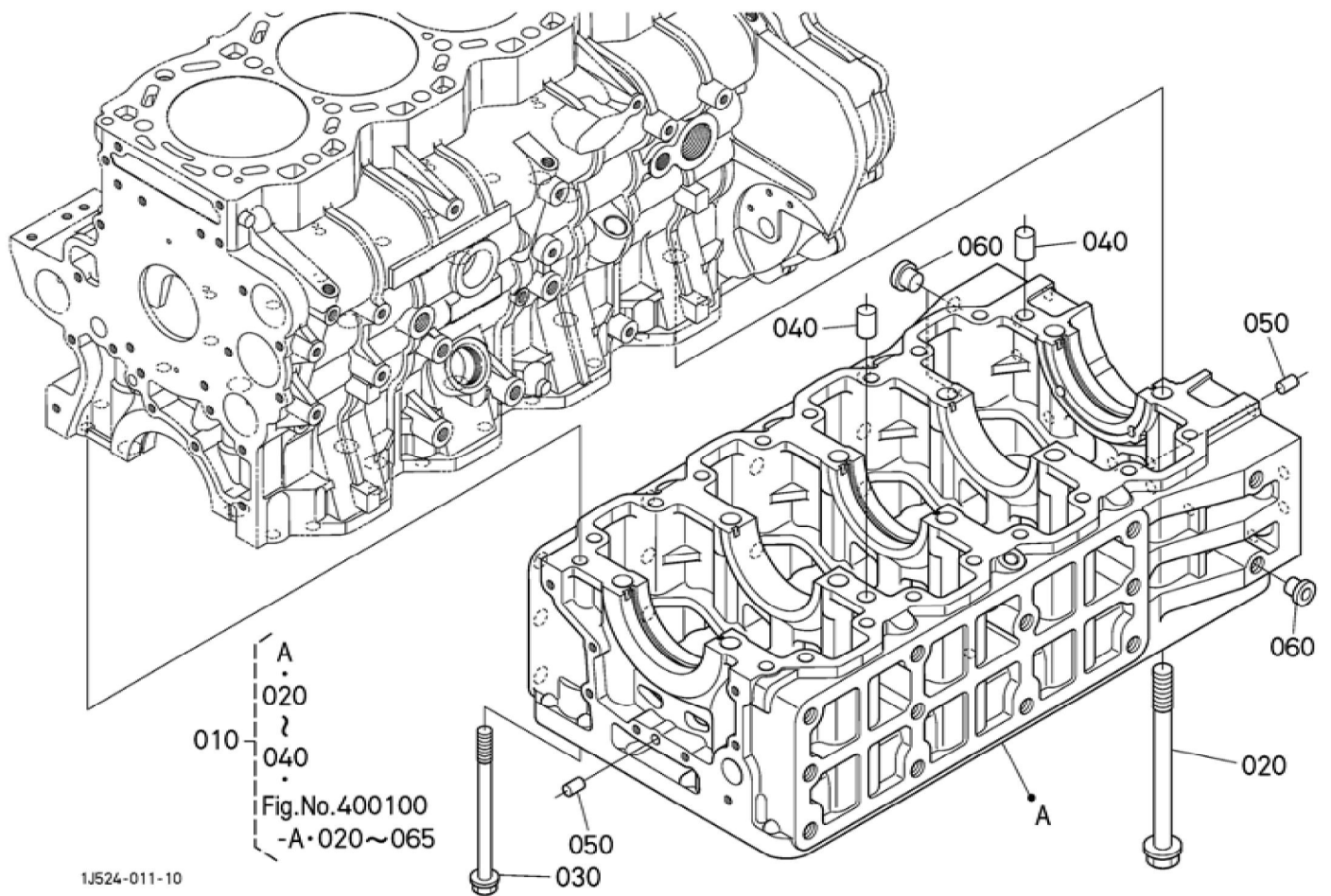


1J525-001-12

Update Date : 06-12-2019 Print Date : 02-04-2022

No.	Part Number	Part Name (POL)	Part Name (ENG)	QTY	IC	Serial No./PIN	Kg	Remarks
010	1G410-01035	KURBELGHA EUSE,KOMP.	CRANKCASE, ASSY	1			176.000	
020	15221-03490	STOPFEN	CAP,SEALING	8			0.020	
030	06311-55030	STOPFEN	PLUG	1			0.050	
040	04724-00170	DICHTUNGSP LATTE	GASKET	1			0.005	
050	16683-96020	STOPFEN	PLUG	1			0.088	
060	15521-96020	STOPFEN	PLUG	8			0.003	
065	1J527-96020	STECKER	PLUG(R1/8)	1			0.013	
070	05012-01016	ZYLINDERSTI FT	PIN STRAIGHT	4			0.010	
080	15451-96280	STOEPSEL,A BDICHTUNG	CAP,SEALING	6			0.026	
090	16851-96270	KAPPE	CAP,SEALING	1			0.005	
100	1G410-01570	DUESE	JET(OIL)	4			0.025	
110	01754-50620	SCHRAUBE	BOLT,FLANG E	4			0.007	
120	1C040-33212	STIFT	PIPE,OIL	1			0.025	
130	1C010-37114	ADAPTER, WASSERROH R	JOINT,WATE R PIPE	4			0.020	

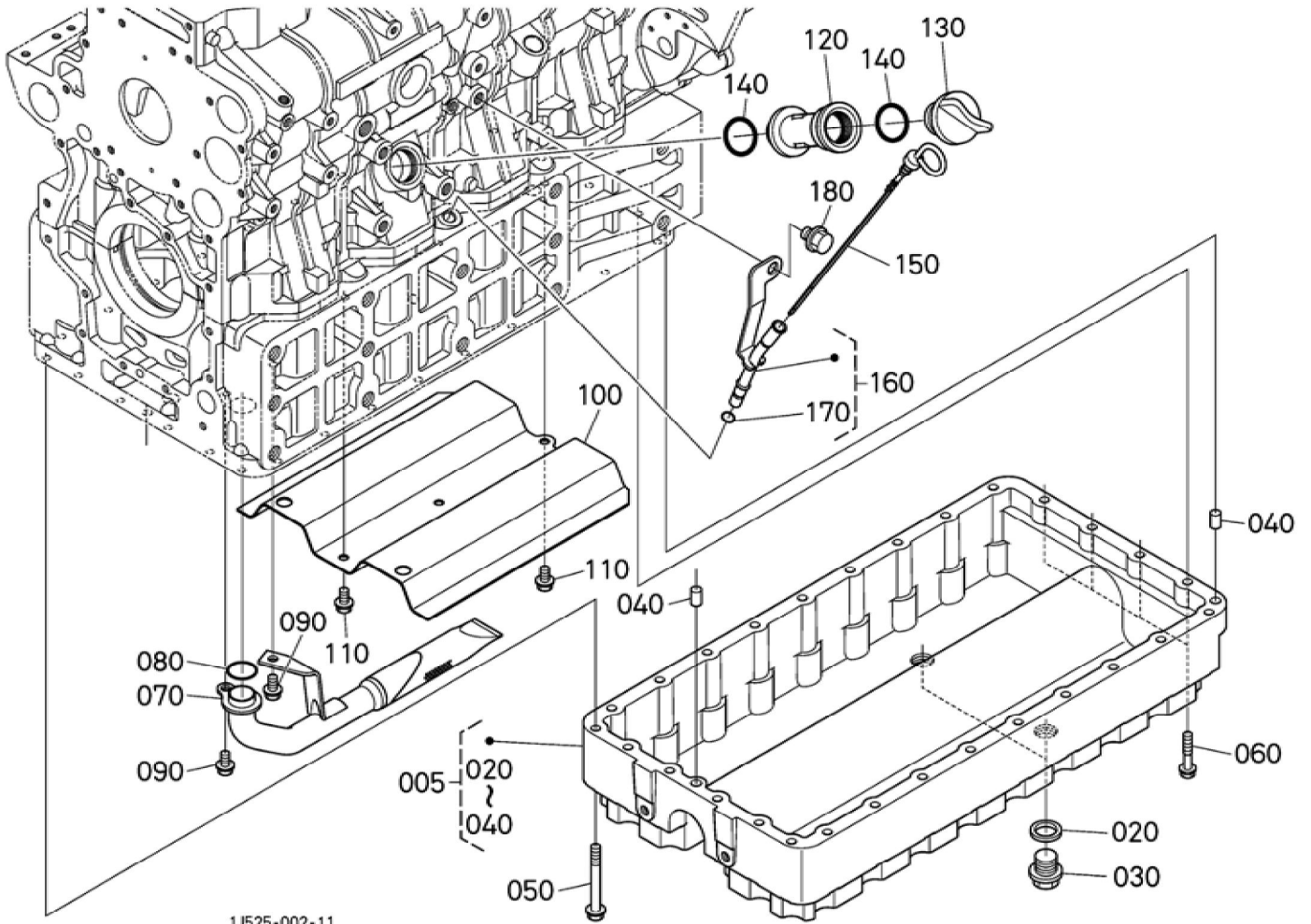
Update Date : 06-12-2019 Print Date : 02-04-2022



1J524-011-10

Update Date : 06-12-2019 Print Date : 02-04-2022

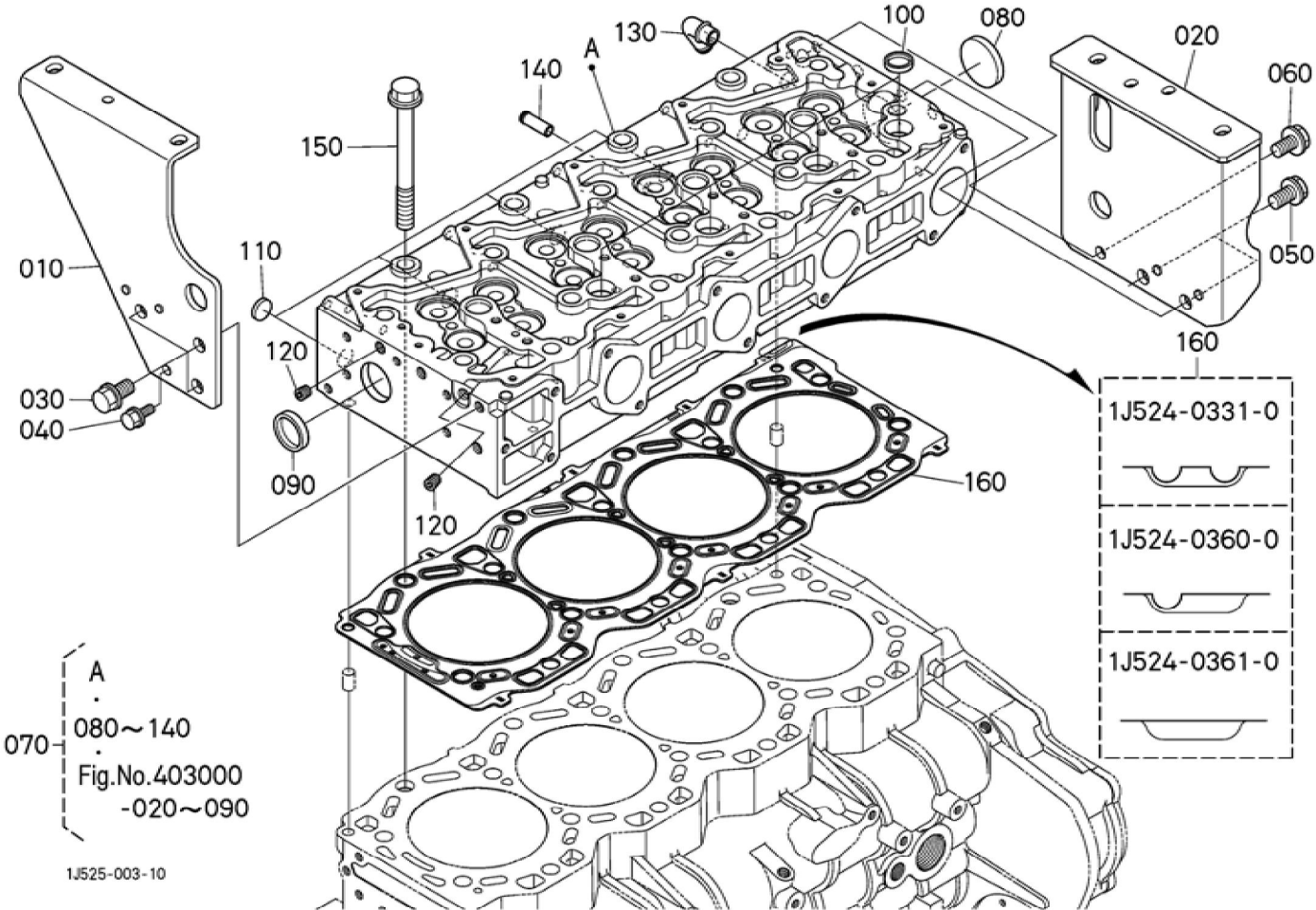
No.	Part Number	Part Name (POL)	Part Name (ENG)	QTY	IC	Serial No./PIN	Kg	Remarks
010	1G410-01035	KURBELGHA EUSE,KOMP.	CRANKCASE, ASSY	1			176.000	
020	1G410-99000	BOLZEN	BOLT	10			0.296	
030	1G410-91010	BOLZEN	BOLT	18			0.133	
040	1C011-94510	ZYLINDERSTI FT	PIN,STRAIGH T	2			0.040	
050	05012-01016	ZYLINDERSTI FT	PIN STRAIGHT	2			0.010	
060	33300-90910	STOPFEN	PLUG	3			0.002	



BKIDK5256 >> M135GXDTSC-4 >> MOTOR / ENGINE >> 401000 OELWANNE / OIL PAN

Update Date : 06-12-2019 Print Date : 02-04-2022

No.	Part Number	Part Name (POL)	Part Name (ENG)	QTY	IC	Serial No./PIN	Kg	Remarks
005	1G410-01590	OELWANNE,K OMP.	PAN,OIL,ASS Y	1			25.000	
020	15451-96670	DICHTUNG	PACKING	2			0.003	
030	15707-33750	ENTLEERUN GSSTOPFEN	PLUG(DRAIN)	2			0.095	
040	05012-01016	ZYLINDERSTI FT	PIN STRAIGHT	2			0.010	
050	1G772-91010	BOLZEN	BOLT,FLANG E	24			0.030	
060	1G410-91022	BOLZEN	BOLT,FLANG E	4			0.018	
070	1G410-32110	OELFILTER	FILTER,OIL	1		<=3KHZ999	0.330	
070	1G410-32112	OELFILTER	FILTER,OIL	1	>>	>=3KG0001	0.330	
080	04814-05250	O RING	O RING	1			0.001	
090	01754-50812	SCHRAUBE	BOLT,FLANG E	2		<=3KHZ999	0.008	
090	01754-50814	SCHRAUBE	BOLT,FLANG E	2	>>	>=3KG0001	0.012	
100	1G410-01673	STAUBLECH	PLATE,BAFFL E	1			0.820	
110	01754-50812	SCHRAUBE	BOLT,FLANG E	3		<=3KHZ999	0.008	
110	01754-50814	SCHRAUBE	BOLT,FLANG E	3	>>	>=3KG0001	0.012	
120	15951-33113	OELFILTERFL ANSCH	FLANGE,OIL FILLER	1			0.130	
130	E9151-33140	OELEINFUEL LSTOPFEN	PLUG(OIL FILLER)	1			0.017	
140	04817-50300	O RING	O RING	2			0.001	
150	1G410-36413	OELMESSST AB	GAUGE,OIL	1			0.028	
160	1G410-36500	GRP.FUEHRU NG	GUIDE,ASSY (OIL GAUGE)	1			0.102	
170	04814-00090	O RING	O RING	1			0.001	
180	01774-51212	SCHRAUBE	BOLT,FLANG E	1			0.028	

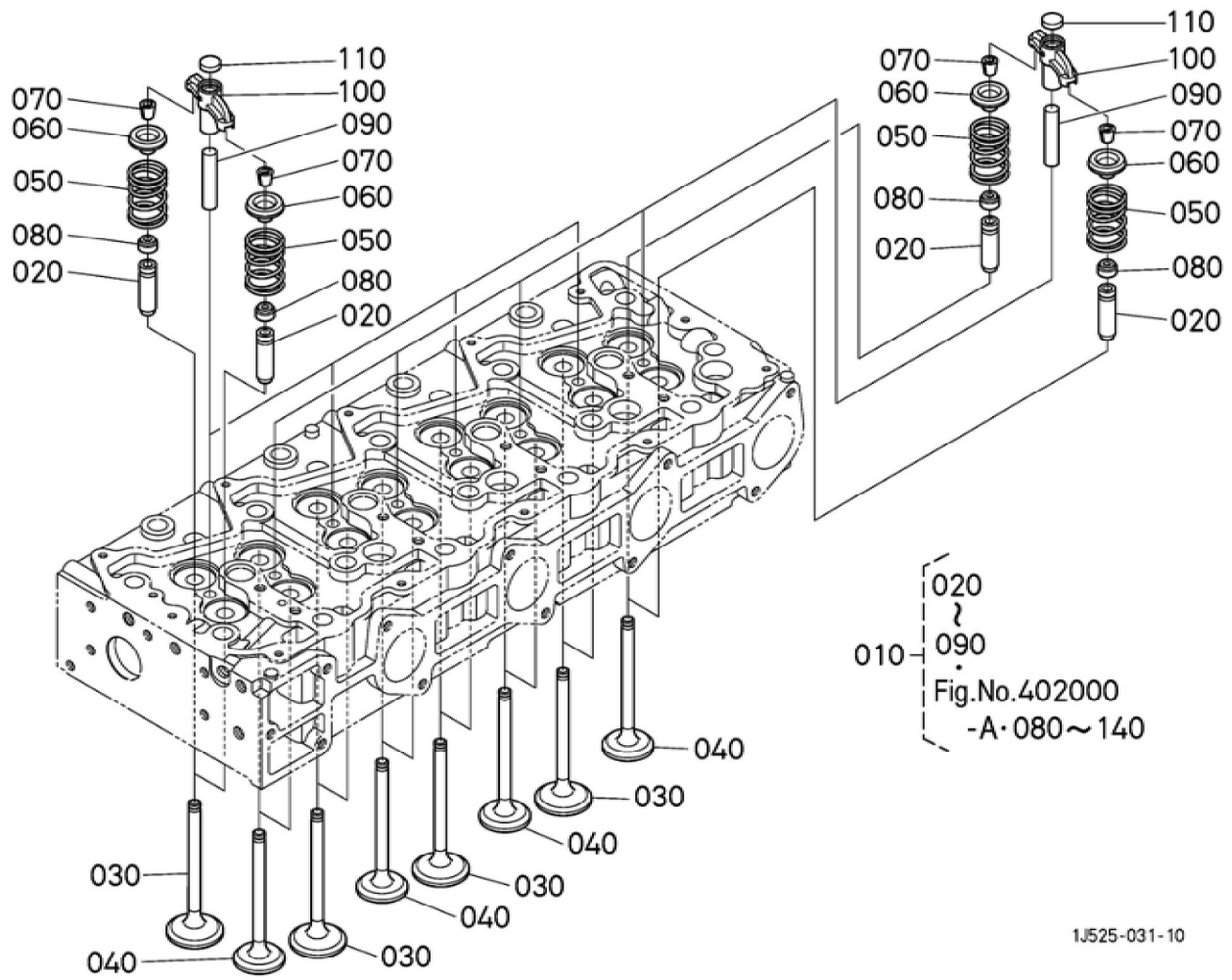


BKIDK5256 >> M135GXDTC-4 >> MOTOR / ENGINE >> 402000 ZYLINDERKOPF / CYLINDER HEAD

Update Date : 06-12-2019 Print Date : 02-04-2022

No.	Part Number	Part Name (POL)	Part Name (ENG)	QTY	IC	Serial No./PIN	Kg	Remarks
010	3Y505-12612	HALTER	BRACKET,FRONT	1			1.702	
020	3S505-12620	HALTER	BRACKET (REAR,DPF)	1			2.540	
030	01774-51220	SCHRAUBE	BOLT,FLANGE	3			0.030	
040	01754-50816	SCHRAUBE	BOLT,FLANGE	1			0.011	
050	01774-51220	SCHRAUBE	BOLT,FLANGE	2			0.030	
060	01774-51020	SCHRAUBE	BOLT,FLANGE	1			0.020	
070	1J524-03020	GRP.ZYLINDERKOPF	HEAD,CYLINDER,ASSY	1			45.000	
080	15221-03390	STOPFEN	CAP,SEALING	1			0.030	
090	15221-03490	STOPFEN	CAP,SEALING	1			0.020	
100	15221-03370	STOPFEN	PLUG,CUP TYPE	4			0.010	
110	15261-03370	STOEPSSEL,ABDICHTUNG	CAP,SEALING	4			0.005	
120	15521-96020	STOPFEN	PLUG	2			0.003	
130	1G777-05550	ROHRSCHALTUNG	JOINT,BREATHER	1			0.025	
140	16241-73370	ROHR	PIPE,WATER RETURN	1			0.007	
150	1J524-03450	ZYLINDERKOPFSCHRAUBE	BOLT (CYLINDER HEAD)	18			0.160	
160	1J524-03310	ZYLINDERKOPFDICHTUNG	GASKET (CYLINDER HEAD)	1			0.360	STANDARD/ 2 STUFEN
160	1J524-03600	ZYLINDERKOPFDICHTUNG	GASKET (CYLINDER HEAD)	1			0.400	VERWENDUNG / 1 KERBE
160	1J524-03610	ZYLINDERKOPFDICHTUNG	GASKET (CYLINDER HEAD)	1			0.450	VERWENDUNG / KEINE KERBE

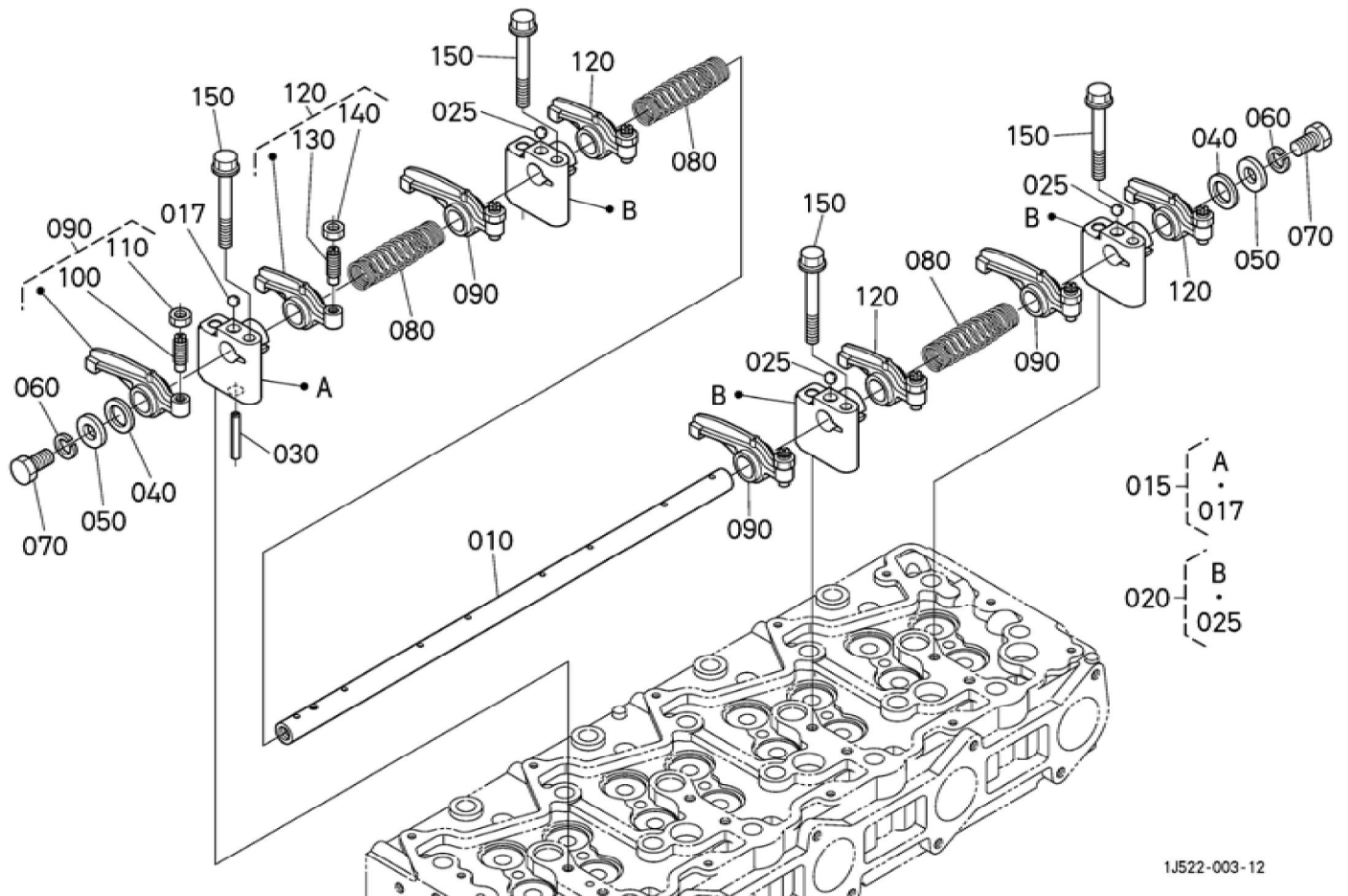
Update Date : 06-12-2019 Print Date : 02-04-2022



Update Date : 06-12-2019 Print Date : 02-04-2022

No.	Part Number	Part Name (POL)	Part Name (ENG)	QTY	IC	Serial No./PIN	Kg	Remarks
010	1J524-03020	GRP.ZYLINDERKOPF	HEAD,CYLINDER,ASSY	1			45.000	
020	1C010-13560	AUSLASSVENTILFUEHRUNG	GUIDE,EXHAUST VALVE	16		<=3KTZ999	0.025	
020	1J829-13560	VENTILFUEHRUNG	GUIDE,VALVE (EXHAUST)	16	>>	>=3KU0001	0.020	
030	1G410-13110	EINLASSVENTIL	VALVE,INLET	8			0.095	
040	1G410-13120	AUSLASSVENTIL	VALVE,EXHAUST	8			0.085	
050	15221-13240	VENTIL-FEDER	SPRING,VALVE	16			0.036	
060	15221-13330	HALTER	RETAINER,VALVE SP.	16			0.028	
070	15221-13980	KLEMMSCHEIBE	COLLET,VALVE SPRING	16			0.005	SET
080	15221-13153	VENTILDICHTUNG	SEAL(VALVE STEM)	16			0.002	
090	1C010-13482	VENTILFUEHRUNG	SHAFT,VALVE BURIGE	8			0.020	
100	1G410-13470	HUBARM, VENTIL	ARM,VALVE BRIGE	8			0.066	
110	1C010-13490	PUFFER	PAD	8			0.003	

Update Date : 06-12-2019 Print Date : 02-04-2022





Download the full PDF manual instantly.

Our customer service e-mail:

aservicemanualpdf@yahoo.com