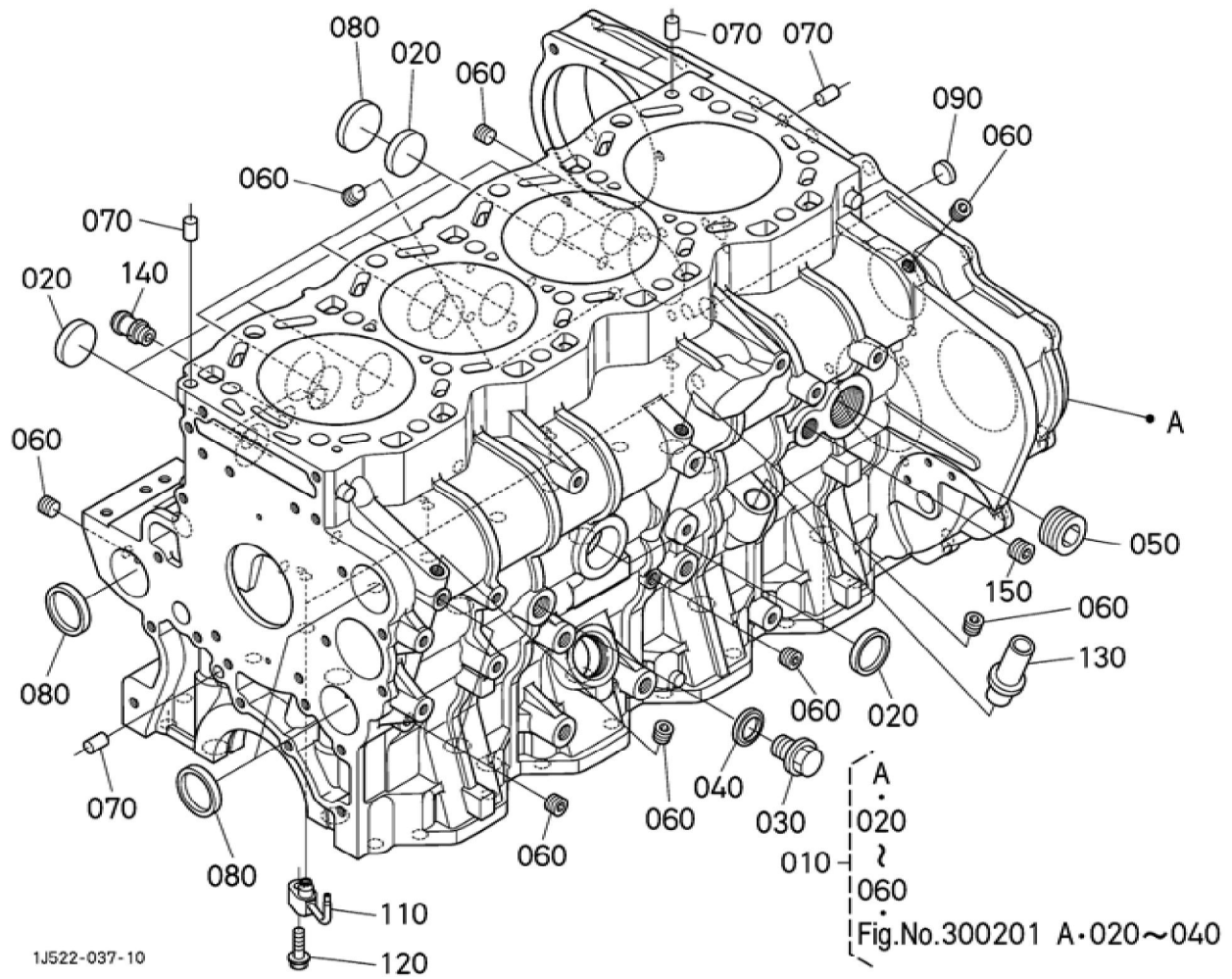


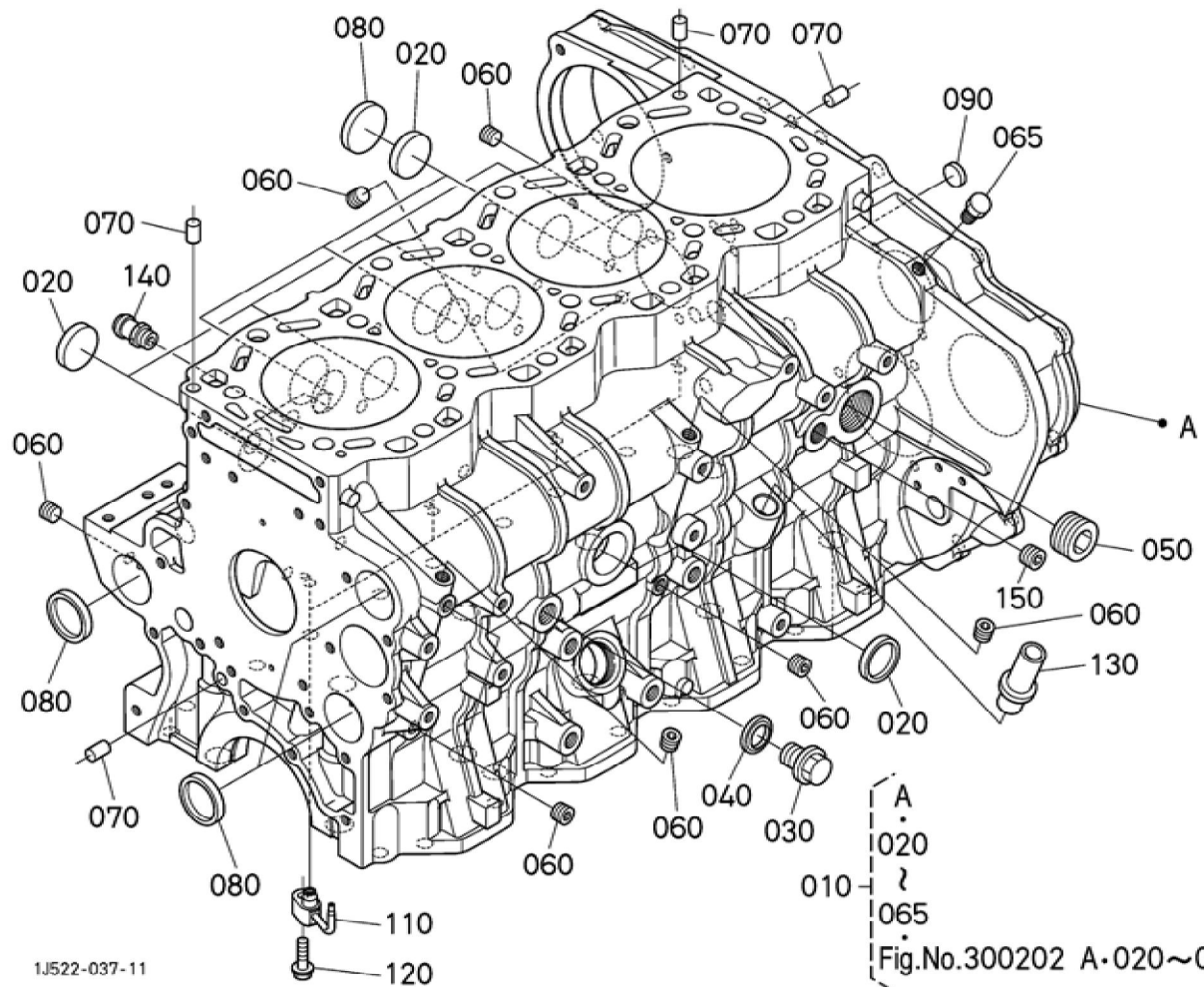
Update Date : 2019/05/24 Print Date : 2022/03/31



Update Date : 2019/05/24 Print Date : 2022/03/31

No.	Part Number	Part Name (POL)	Part Name (ENG)	QTY	IC	Serial No./PIN	Kg	Remarks
010	1G410-01027	GRP. KURBELGEH AEUSE	CRANKCASE, ASSY	1		<=3EKZ999	175.000	BITTE BESTELLEN SIE POS.010 UND 150 NEUE TEILE.
010	1G410-01030	GRP. KURBELGEH AEUSE	CRANKCASE, ASSY	1	NI	>=3EL0001	176.000	
020	15221-03490	STOPFEN	CAP,SEALING	8			0.020	
030	06311-55030	STOPFEN	PLUG	1			0.050	
040	04724-00170	DICHTUNGSP LATTE	GASKET	1			0.005	
050	16683-96020	STOPFEN	PLUG	1			0.088	
060	15521-96020	STOPFEN	PLUG	9			0.003	
070	05012-01016	ZYLINDERSTI FT	PIN STRAIGHT	4			0.010	
080	15451-96280	STOEPSSEL,A BDICHTUNG	CAP,SEALING	6			0.026	
090	16851-96270	KAPPE	CAP,SEALING	1			0.005	
110	1G410-01570	DUESE	JET(OIL)	4			0.025	
120	01754-50620	SCHRAUBE	BOLT,FLANG E	4			0.007	
130	1C040-33212	STIFT	PIPE,OIL	1			0.025	
140	1C010-37114	ADAPTER, WASSERROH R	JOINT,WATE R PIPE	3			0.020	
150	16241-96020	STOPFEN	PLUG	1		>=3EL0001	0.015	

Update Date : 2019/05/24 Print Date : 2022/03/31



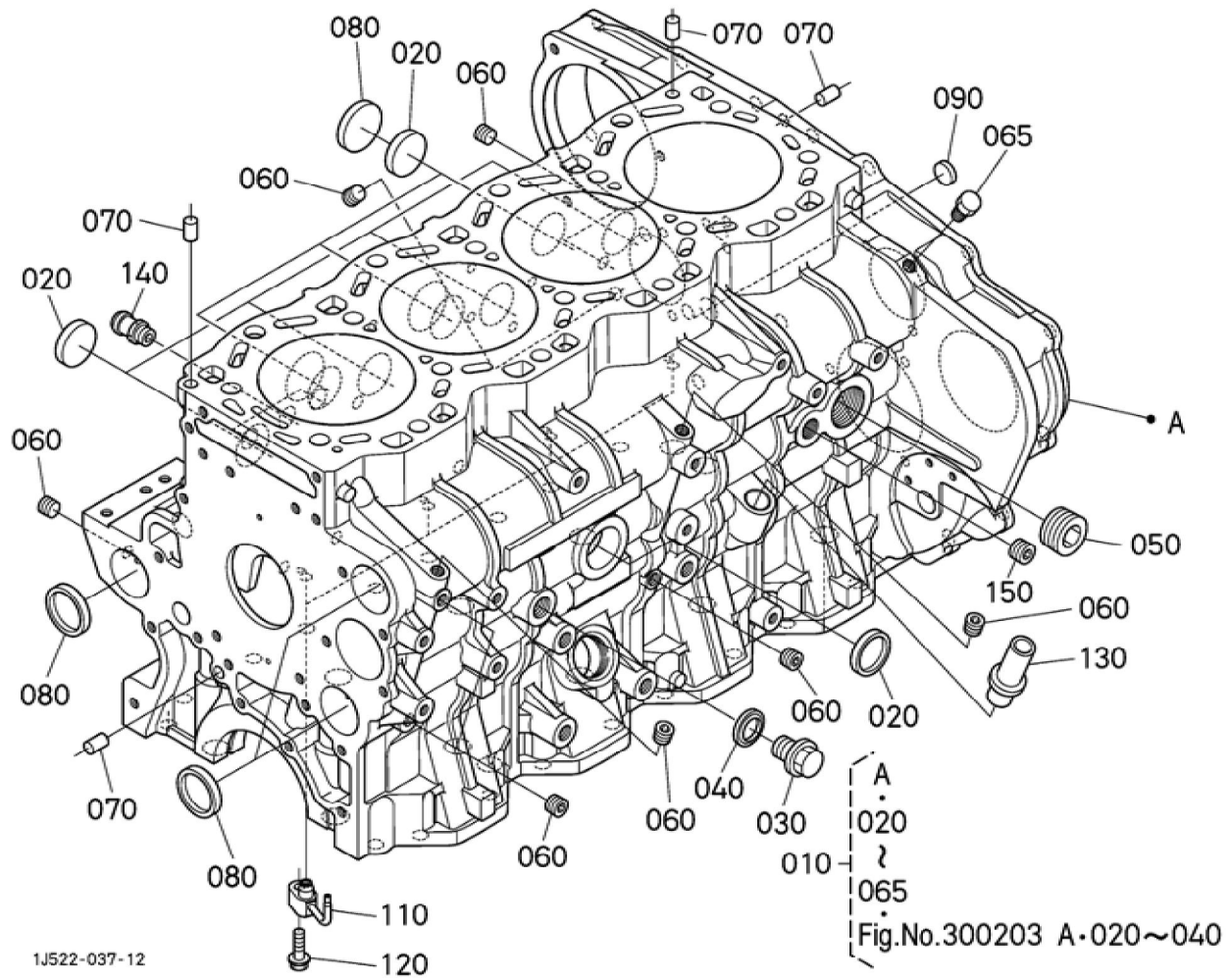
1J522-037-11

Fig.No.300202 A-020~040

Update Date : 2019/05/24 Print Date : 2022/03/31

No.	Part Number	Part Name (POL)	Part Name (ENG)	QTY	IC	Serial No./PIN	Kg	Remarks
010	1G410-01033	GRP. KURBELGEH AEUSE	CRANKCASE, ASSY	1			176.000	
020	15221-03490	STOPFEN	CAP,SEALING	8			0.020	
030	06311-55030	STOPFEN	PLUG	1			0.050	
040	04724-00170	DICHTUNGSP LATTE	GASKET	1			0.005	
050	16683-96020	STOPFEN	PLUG	1			0.088	
060	15521-96020	STOPFEN	PLUG	8			0.003	
065	1J527-96020	STECKER	PLUG(R1/8)	1			0.013	
070	05012-01016	ZYLINDERSTI FT	PIN STRAIGHT	4			0.010	
080	15451-96280	STOEPSEL,A BDICHTUNG	CAP,SEALING	6			0.026	
090	16851-96270	KAPPE	CAP,SEALING	1			0.005	
110	1G410-01570	DUESE	JET(OIL)	4			0.025	
120	01754-50620	SCHRAUBE	BOLT,FLANG E	4			0.007	
130	1C040-33212	STIFT	PIPE,OIL	1			0.025	
140	1C010-37114	ADAPTER, WASSERROH R	JOINT,WATE R PIPE	3			0.020	
150	16241-96020	STOPFEN	PLUG	1			0.015	

Update Date : 2019/05/24 Print Date : 2022/03/31

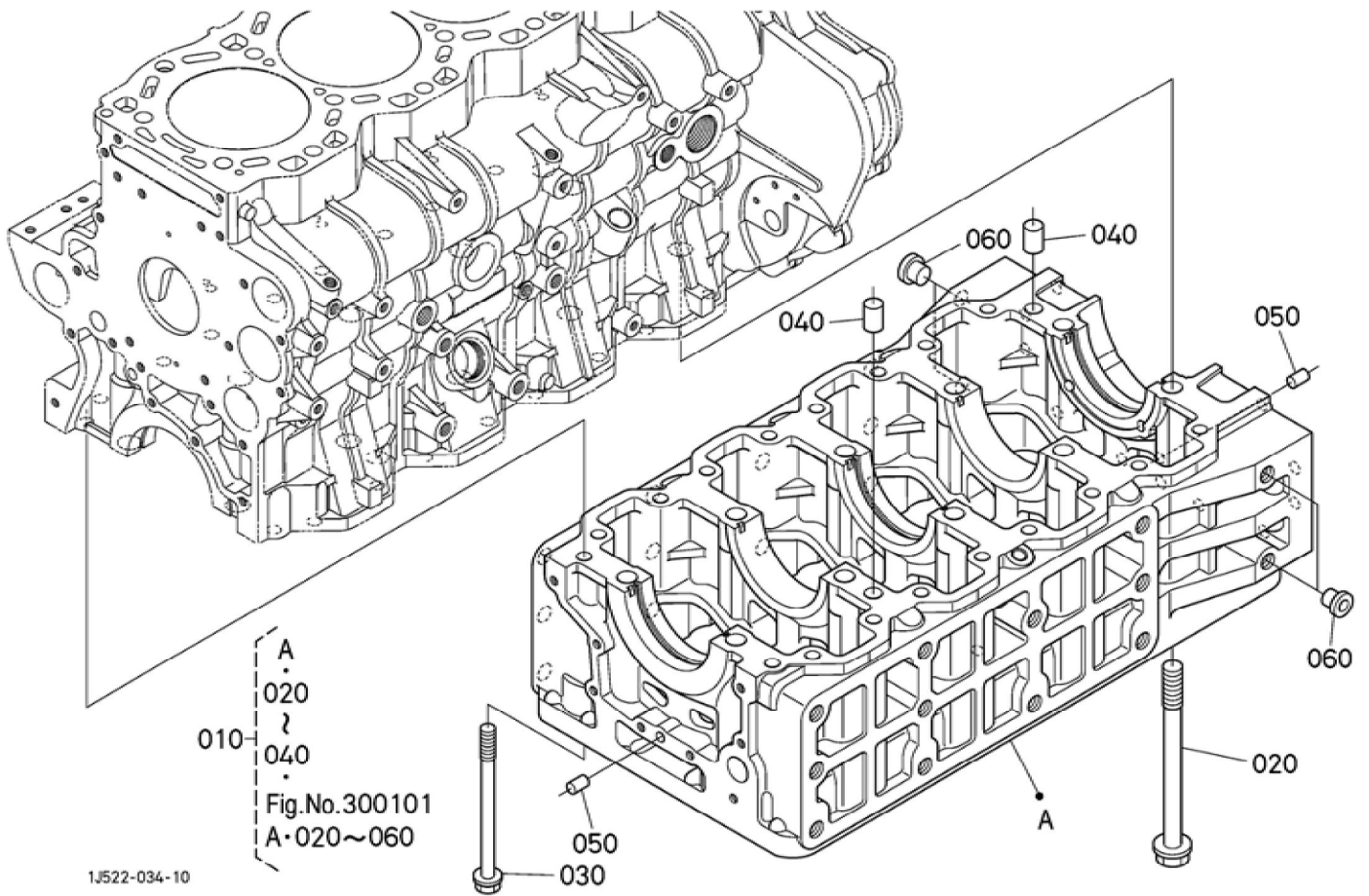


1J522-037-12

Update Date : 2019/05/24 Print Date : 2022/03/31

No.	Part Number	Part Name (POL)	Part Name (ENG)	QTY	IC	Serial No./PIN	Kg	Remarks
010	1G410-01034	GRP. KURBELGEH AEUSE	CRANKCASE, ASSY	1			176.000	
020	15221-03490	STOPFEN	CAP,SEALING	8			0.020	
030	06311-55030	STOPFEN	PLUG	1			0.050	
040	04724-00170	DICHTUNGSP LATTE	GASKET	1			0.005	
050	16683-96020	STOPFEN	PLUG	1			0.088	
060	15521-96020	STOPFEN	PLUG	8			0.003	
065	1J527-96020	STECKER	PLUG(R1/8)	1			0.013	
070	05012-01016	ZYLINDERSTI FT	PIN STRAIGHT	4			0.010	
080	15451-96280	STOEPSEL,A BDICHTUNG	CAP,SEALING	6			0.026	
090	16851-96270	KAPPE	CAP,SEALING	1			0.005	
110	1G410-01570	DUESE	JET(OIL)	4			0.025	
120	01754-50620	SCHRAUBE	BOLT,FLANG E	4			0.007	
130	1C040-33212	STIFT	PIPE,OIL	1			0.025	
140	1C010-37114	ADAPTER, WASSERROH R	JOINT,WATE R PIPE	3			0.020	
150	16241-96020	STOPFEN	PLUG	1			0.015	

Update Date : 2019/05/24 Print Date : 2022/03/31

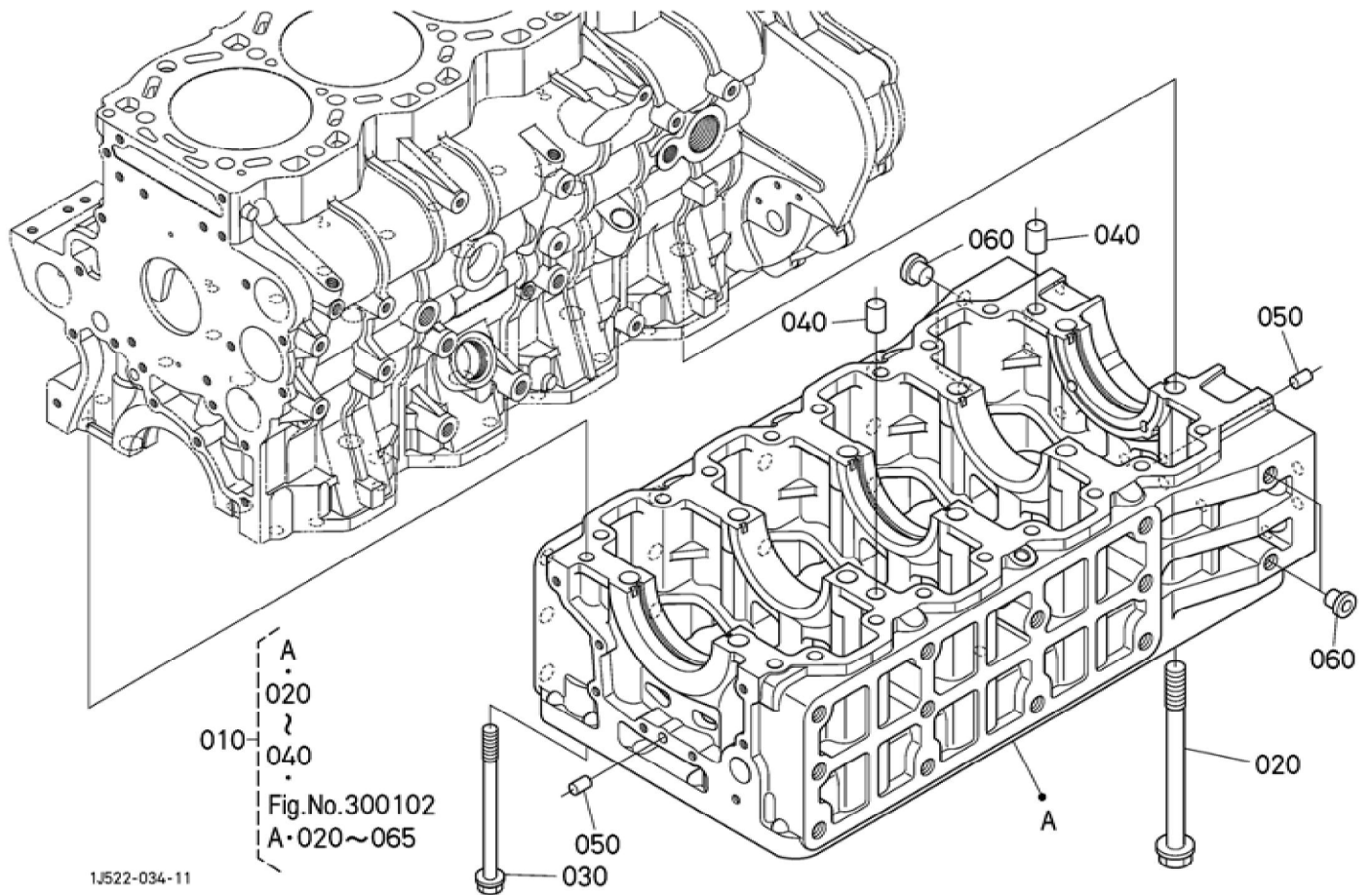


1J522-034-10

Update Date : 2019/05/24 Print Date : 2022/03/31

No.	Part Number	Part Name (POL)	Part Name (ENG)	QTY	IC	Serial No./PIN	Kg	Remarks
010	1G410-01027	GRP. KURBELGEH AEUSE	CRANKCASE, ASSY	1		<=3EKZ999	175.000	BEACHTEN SIE DEN HINWEIS
010	1G410-01030	GRP. KURBELGEH AEUSE	CRANKCASE, ASSY	1	NI	>=3EL0001	176.000	
020	1G410-99000	BOLZEN	BOLT	10			0.296	
030	1G410-91010	BOLZEN	BOLT	18			0.133	
040	1C011-94510	ZYLINDERSTI FT	PIN,STRAIGH T	2			0.040	
050	05012-01016	ZYLINDERSTI FT	PIN STRAIGHT	2			0.010	
060	33300-90910	STOPFEN	PLUG	4		>=3CW0001	0.002	

Update Date : 2019/05/24 Print Date : 2022/03/31

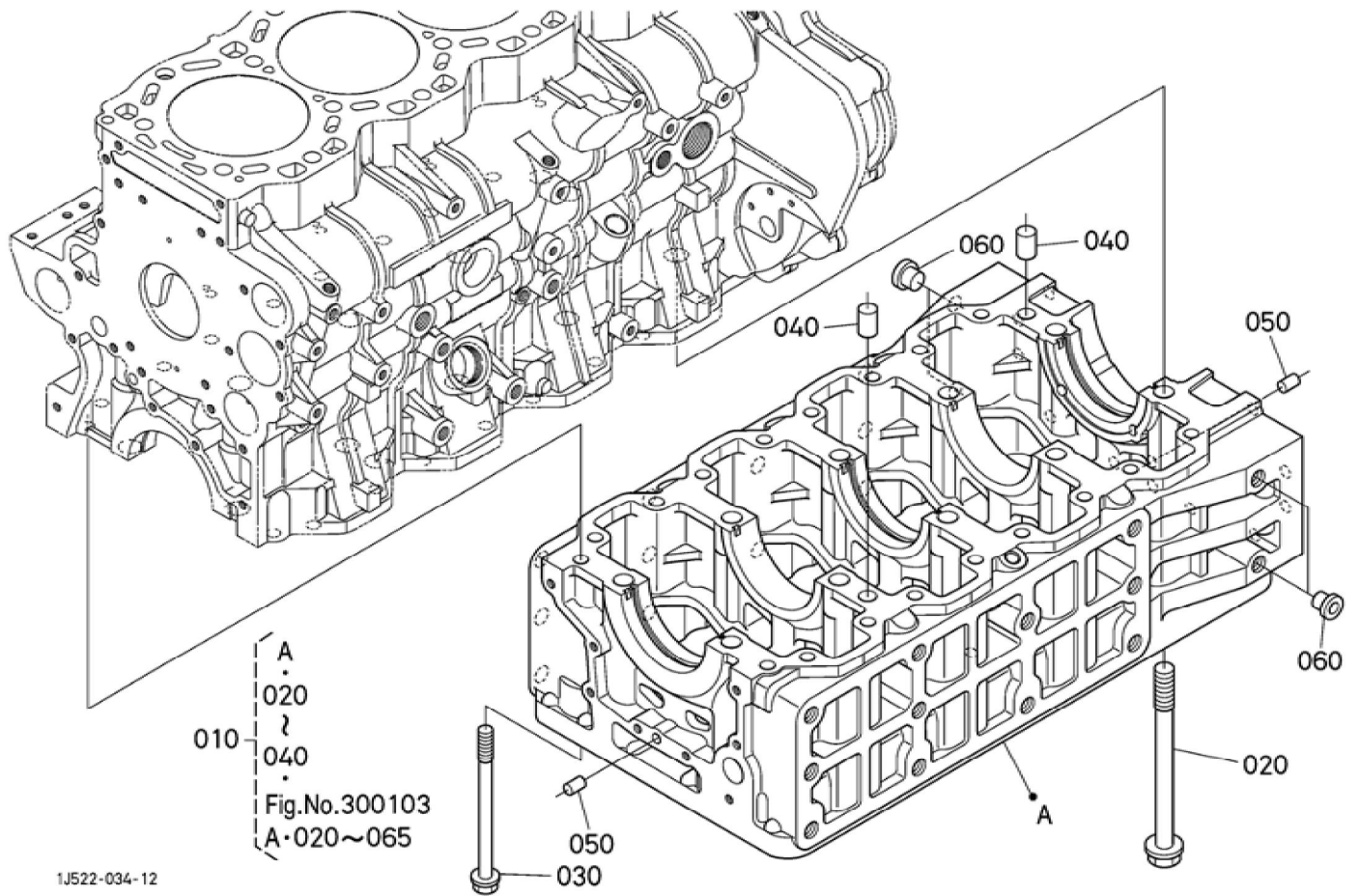


1J522-034-11

Update Date : 2019/05/24 Print Date : 2022/03/31

No.	Part Number	Part Name (POL)	Part Name (ENG)	QTY	IC	Serial No./PIN	Kg	Remarks
010	1G410-01033	GRP. KURBELGEH AEUSE	CRANKCASE, ASSY	1			176.000	
020	1G410-99000	BOLZEN	BOLT	10			0.296	
030	1G410-91010	BOLZEN	BOLT	18			0.133	
040	1C011-94510	ZYLINDERSTI FT	PIN,STRAIGH T	2			0.040	
050	05012-01016	ZYLINDERSTI FT	PIN STRAIGHT	2			0.010	
060	33300-90910	STOPFEN	PLUG	4			0.002	

Update Date : 2019/05/24 Print Date : 2022/03/31



1J522-034-12



Download the full PDF manual instantly.

Our customer service e-mail:

aservicemanualpdf@yahoo.com