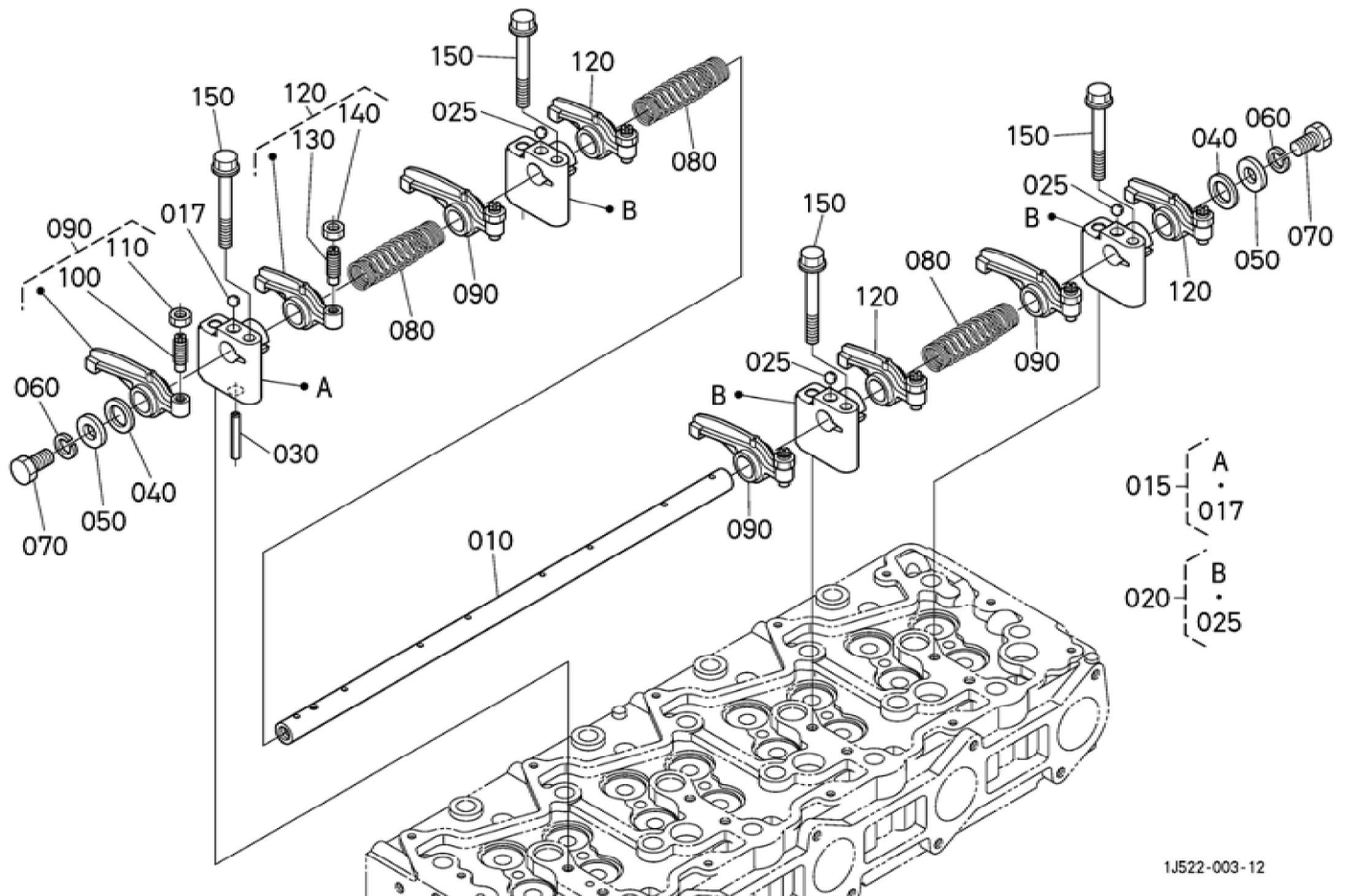


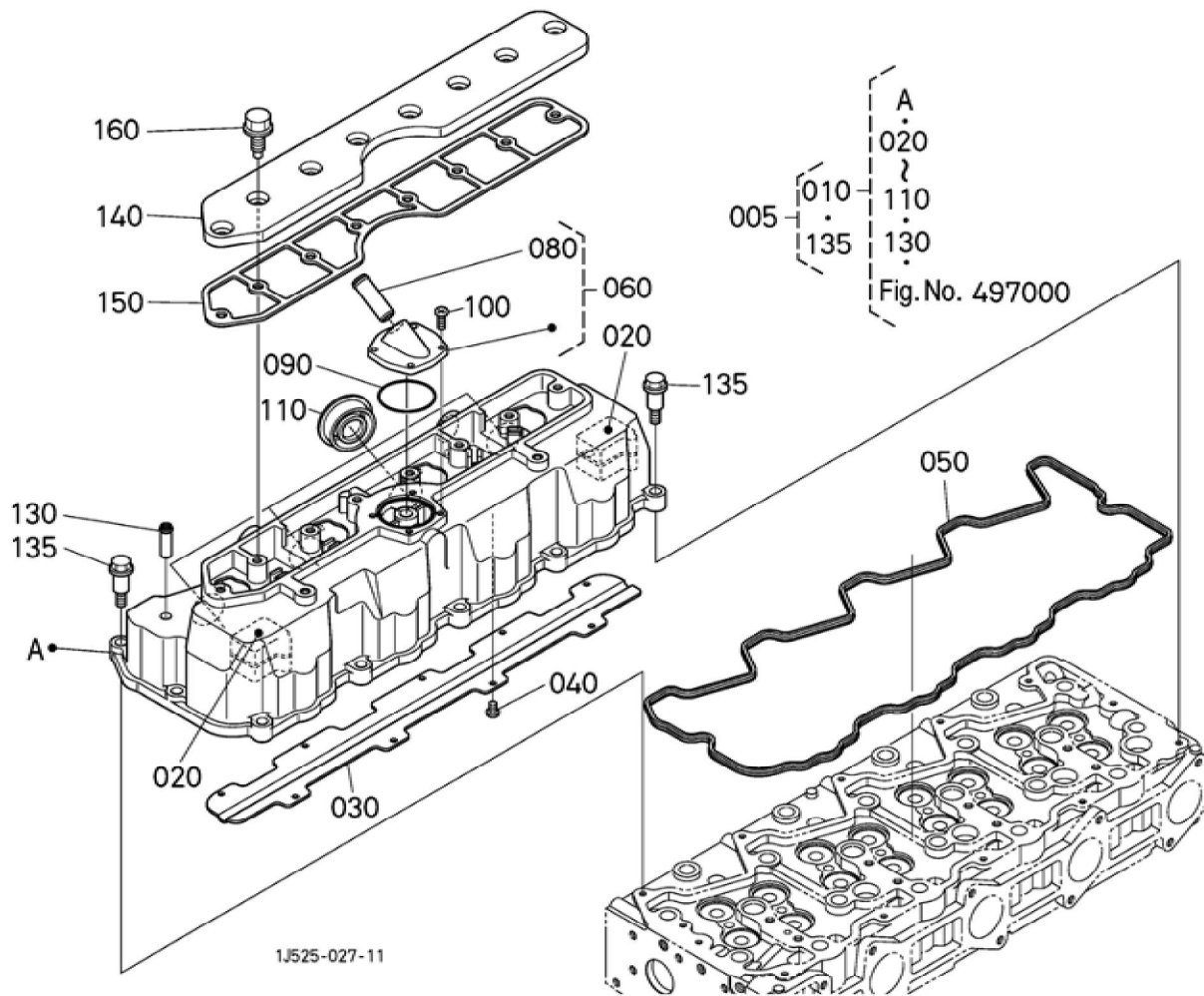
Update Date : 2019/05/23 Print Date : 2022/03/24



Update Date : 2019/05/23 Print Date : 2022/03/24

No.	Part Number	Part Name (POL)	Part Name (ENG)	QTY	IC	Serial No./PIN	Kg	Remarks
010	1G410-14263	KIPPHEBELWELLE	SHAFT,ROCKER ARM	1			0.620	
015	1G410-14372	HALTER KOMP.	COMP BRACKET,ROCKER ARM	1			0.300	
017	07715-03213	KUGEL	BALL	1			0.004	
020	1J520-14370	HALTER KOMP.	BRACKET,COMP(ROCKER ARM)	3			0.315	
025	07715-03213	KUGEL	BALL	3			0.004	
030	05411-00640	STIFT	PIN,SPRING	1			0.006	
040	1G410-14430	SCHEIBE	WASHER	2			0.005	
050	1J520-14800	FEDERRING	WASHER,PLAIN	2			0.014	
060	04512-50120	FEDERRING	WASHER,SPRING LOCK	2			0.003	
070	01173-51220	BOLZEN	HEX.BOLT	2			0.030	
080	1G410-14310	FEDER	SPRING,ROCKER ARM	3			0.012	
090	1G410-14022	SCHWINGHEBEL	ASSY ROCKER ARM,IN.	4			0.140	
100	1G896-14230	STELLSCHRAUBE	SCREW	4			0.010	
110	15021-14240	MUTTER	NUT	4			0.003	
120	1G410-14152	SCHWINGHEBEL	ASSY ROCKER ARM,EXH.	4			0.120	
130	1G896-14230	STELLSCHRAUBE	SCREW	4			0.010	
140	15021-14240	MUTTER	NUT	4			0.003	
150	01754-50870	SCHRAUBE	BOLT,FLANGE	4			0.028	

Update Date : 2019/05/23 Print Date : 2022/03/24



Update Date : 2019/05/23 Print Date : 2022/03/24

No.	Part Number	Part Name (POL)	Part Name (ENG)	QTY	IC	Serial No./PIN	Kg	Remarks
005	1J524-14660	ZYLINDERKO PFHAUBE	COVER,HEAD ,FULL-ASSY	1		>=3GS0001	5.500	
010	1J524-14502	ZYLINDERKO PFHAUBE	COVER,HEAD ,ASSY	1		<=3GRZ999	3.930	
010	1J524-14504	ZYLINDERKO PFHAUBE	COVER,HEAD ,ASSY	1	NI	>=3GS0001	3.930	BESTELLEN SIE BITTE POS.005 NEUE TEILE
020	16241-05670	ENTLUEFTUN GSELEMENT	ELEMENT (BREATHER)	4			0.010	
030	1G410-05370	OELSCHILD,E NTLUEFTER	SHIELD,OIL BREATHER	1			0.337	
040	03054-50508	SCHRAUBE	SCREW,PAN HEAD (PHILLIPS)	9			0.002	
050	1G410-14520	VENTILDECK ELDICHTUNG	GASKET,HEA D COVER	1			0.042	
060	1J524-05102	DECKEL,KOM P.	COVER,COM P (BREATHER)	1			0.082	
080	16241-05550	VERBINDUNG	JOINT,BREAT HER PIPE	1			0.020	
090	1G924-05430	O RING	O-RING	1			0.001	
100	03054-50514	SCHRAUBE	SCREW,PAN HEAD (PHILLIPS)	4			0.004	
110	1C020-53810	DICHTUNG	SEAL,INJECTI ON PIPE	4			0.016	
130	16241-73370	ROHR	PIPE,WATER RETURN	1			0.007	
135	1G911-91022	BOLZEN	BOLT	12		>=3GS0001	0.015	
140	1G410-14548	DECKEL	COVER,HEAD	1		<=3GVZ999	2.040	
140	1J524-14540	DECKEL	COVER (HEAD)	1	>>	>=3GW0001	2.090	
150	1G410-14530	DICHTUNG	GASKET,COV ER	1			0.013	
160	01755-50816	SCHRAUBE	BOLT,FLANG E	8			0.013	



Download the full PDF manual instantly.

Our customer service e-mail:

aservicemanualpdf@yahoo.com