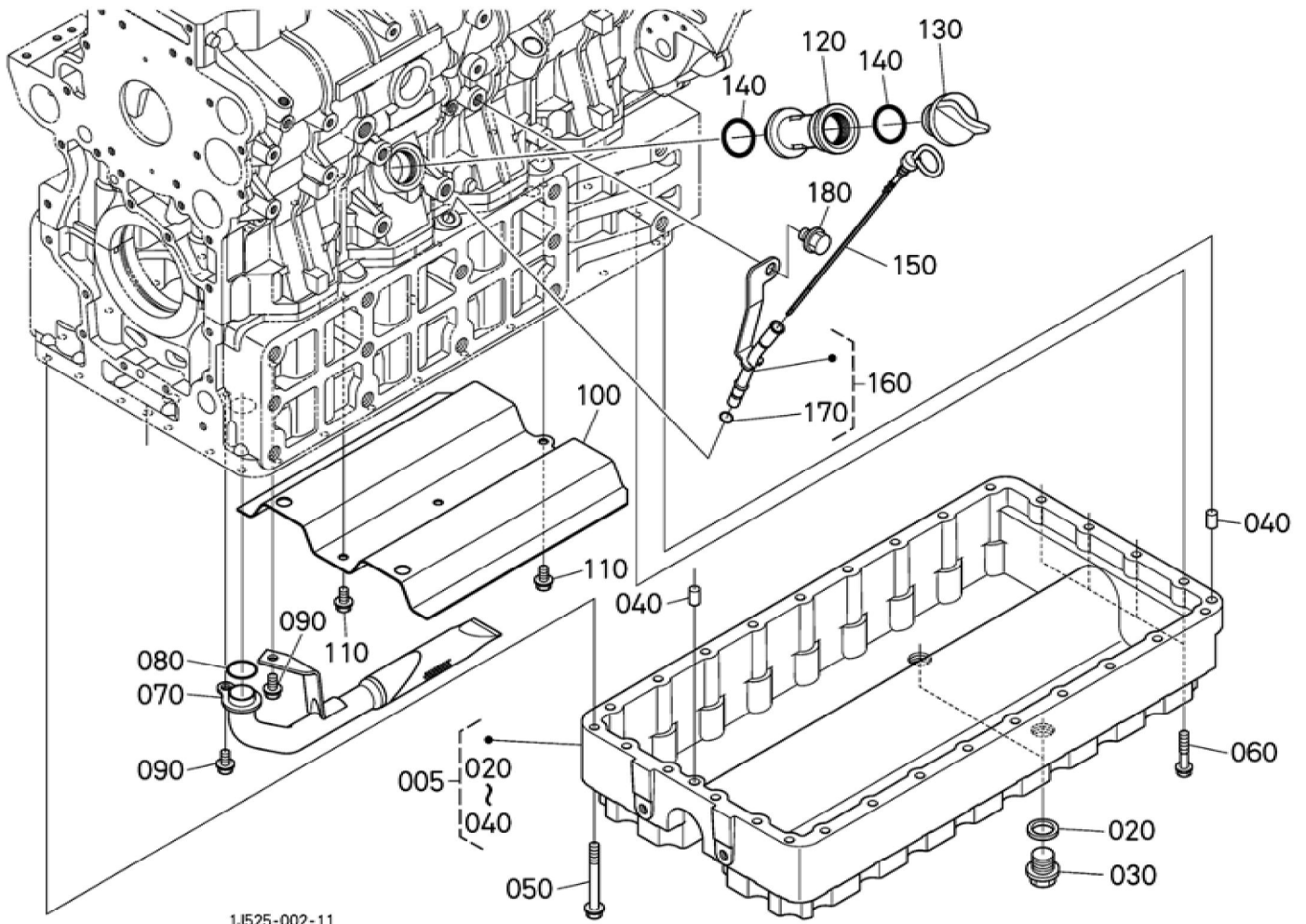


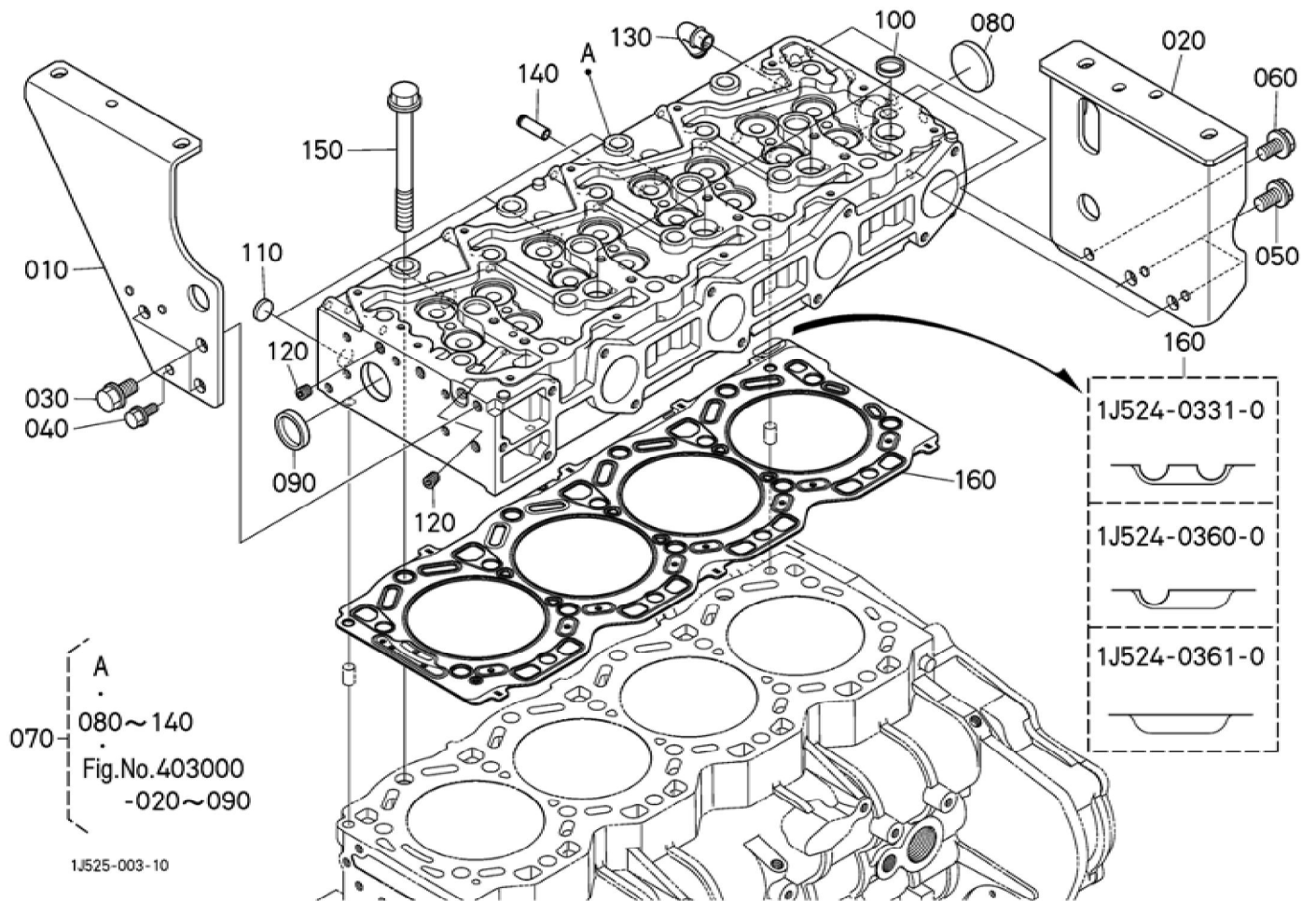
Update Date : 2019/05/23 Print Date : 2022/03/23



## BKIDK5143 &gt;&gt; M115GXDTSC19-3 &gt;&gt; MOTOR / ENGINE &gt;&gt; 401000 OELWANNE / OIL PAN

Update Date : 2019/05/23 Print Date : 2022/03/23

No.	Part Number	Part Name (POL)	Part Name (ENG)	QTY	IC	Serial No./PIN	Kg	Remarks
005	1G410-01590	OELWANNE,KOMP.	PAN,OIL,ASSY	1			25.000	
020	15451-96670	DICHTUNG	PACKING	2			0.003	
030	15707-33750	ENTLEERUNGSSSTOPFEN	PLUG(DRAIN)	2			0.095	
040	05012-01016	ZYLINDERSTIFT	PIN STRAIGHT	2			0.010	
050	1G772-91010	BOLZEN	BOLT,FLANGE	24			0.030	
060	1G410-91022	BOLZEN	BOLT,FLANGE	4			0.018	
070	1G410-32110	OELFILTER	FILTER,OIL	1			0.330	
080	04814-05250	O RING	O RING	1			0.001	
090	01754-50812	SCHRAUBE	BOLT,FLANGE	2			0.010	
100	1G410-01673	STAUBLECH	PLATE,BAFFLE	1			0.820	
110	01754-50812	SCHRAUBE	BOLT,FLANGE	3			0.010	
120	15951-33113	OELFILTERFLANSCH	FLANGE,OIL FILLER	1			0.130	
130	E9151-33140	OELEINFUELLSTOPFEN	PLUG(OIL FILLER)	1			0.017	
140	04817-50300	O RING	O RING	2			0.001	
150	1G410-36413	OELMESSSTAB	GAUGE,OIL	1			0.028	
160	1G410-36500	GRP.FUEHRUNG	GUIDE,ASSY (OIL GAUGE)	1			0.102	
170	04814-00090	O RING	O RING	1			0.001	
180	01774-51212	SCHRAUBE	BOLT,FLANGE	1			0.028	





**Download the full PDF manual instantly.**

**Our customer service e-mail:**

**[aservicemannualpdf@yahoo.com](mailto:aservicemannualpdf@yahoo.com)**