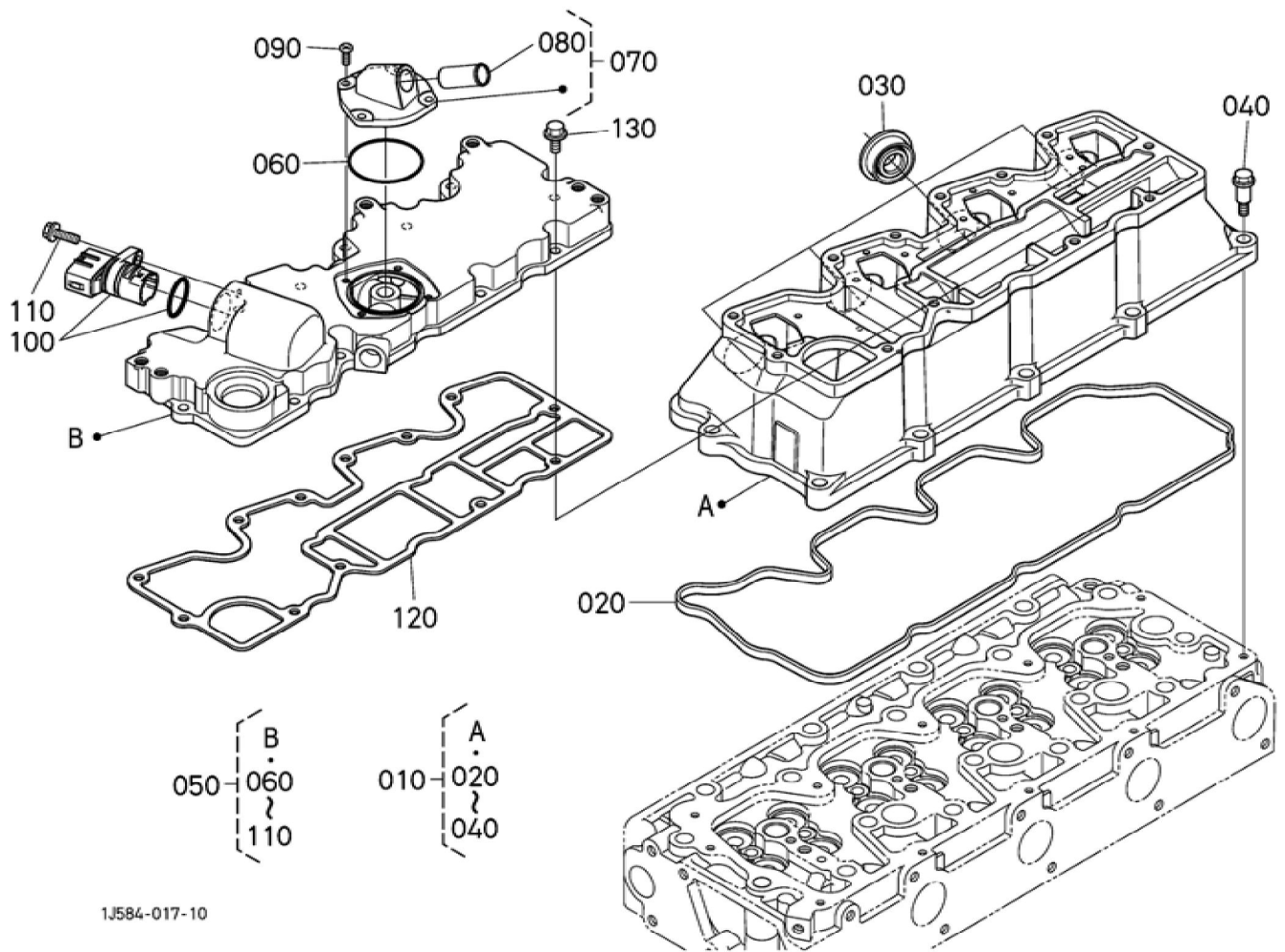
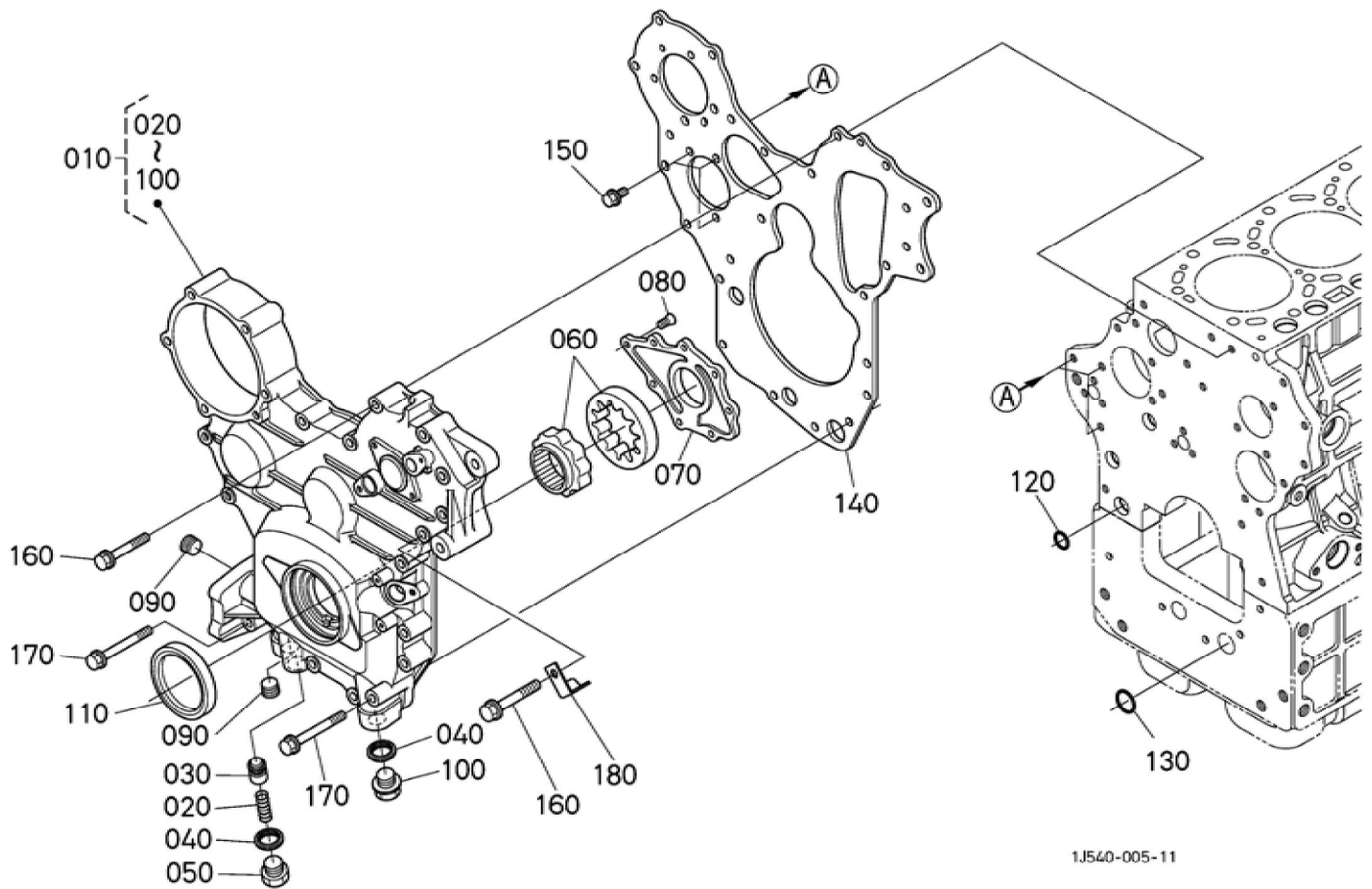


Update Date : 2019/07/11 Print Date : 2022/03/13



Update Date : 2019/07/11 Print Date : 2022/03/13

No.	Part Number	Part Name (POL)	Part Name (ENG)	QTY	IC	Serial No./PIN	Kg	Remarks
010	1J500-14503	DECKEL OBEN,KOMP.	ASSY COVER,CYL. HEAD	1			1.920	
020	1C020-14520	VENTILDECK ELDICHTUNG	GASKET,HEA D COVER	1			0.054	
030	1C020-53810	DICHTUNG	SEAL,INJECTI ON PIPE	4			0.016	
040	1G911-91022	BOLZEN	BOLT	10			0.015	
050	1J584-14580	DECKEL OBEN,KOMP.	COVER,HEAD	1			1.180	
060	1A021-05430	O RING	O RING,BREAT HER	1			0.001	
070	1J584-05100	DECKEL,KOM P.	COVER,COM P (BREATHING)	1			0.071	
080	16241-05550	VERBINDUNG	JOINT,BREAT HER PIPE	1			0.020	
090	03054-50512	SCHRAUBE	SCREW,PAN HEAD (PHILLIPS)	4			0.003	
100	1J574-65830	VERBINDUNG SSTUECK	ASSY CONNECTOR ,2	1			0.030	
110	01754-50620	SCHRAUBE	BOLT,FLANG E	1			0.007	
120	1J500-14530	DICHTUNG	GASKET (COVER,HEA D)	1			0.016	
130	01754-50620	SCHRAUBE	BOLT,FLANG E	12			0.007	





**Download the full PDF manual instantly.**

**Our customer service e-mail:**

**[aservicemanualpdf@yahoo.com](mailto:aservicemanualpdf@yahoo.com)**