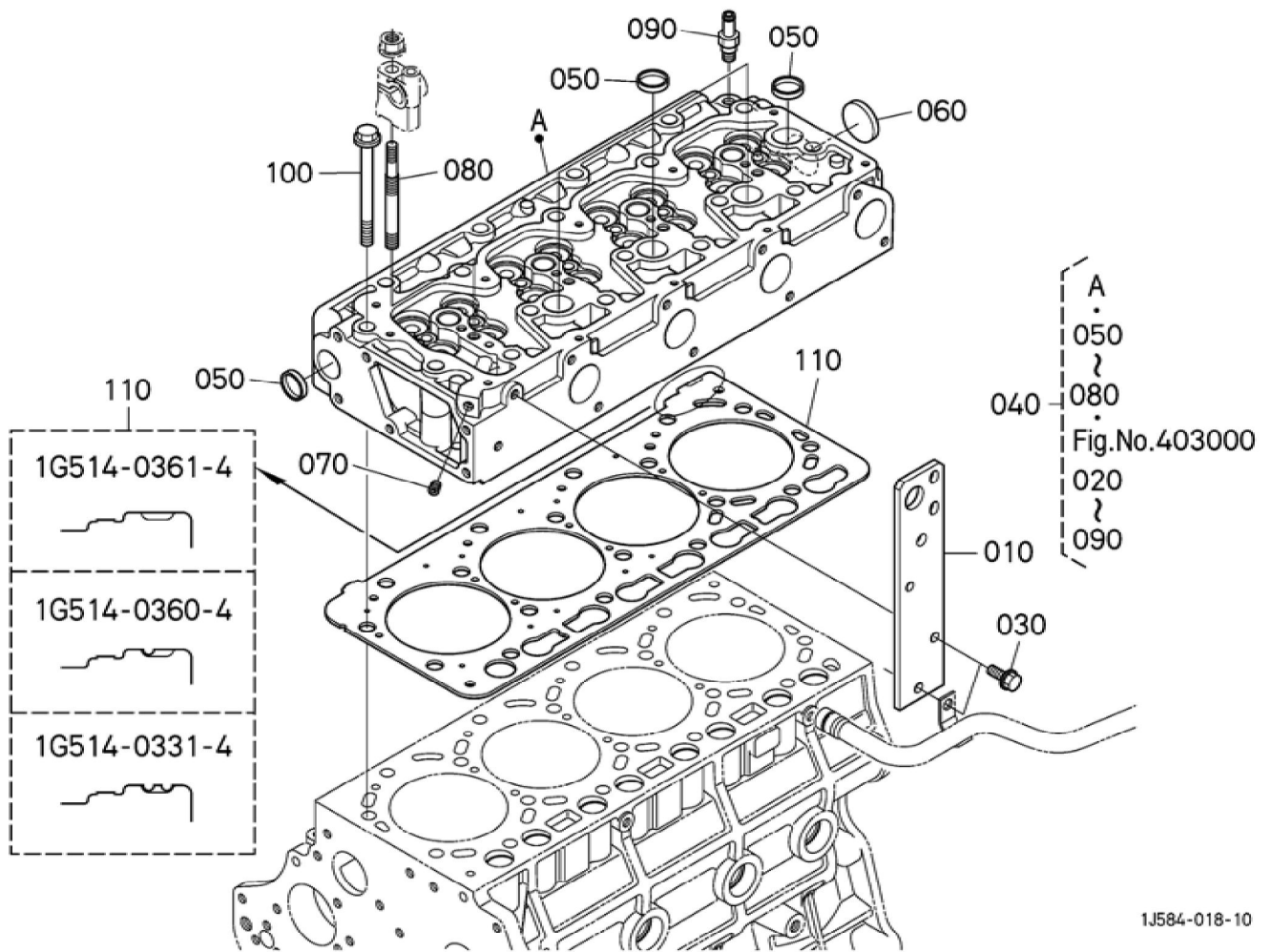


## BKIDK5134 &gt;&gt; M105GXDTTC19-3 &gt;&gt; MOTOR / ENGINE &gt;&gt; 401000 OELWANNE / OIL PAN

Update Date : 11-07-2019 Print Date : 12-03-2022

No.	Part Number	Part Name (POL)	Part Name (ENG)	QTY	IC	Serial No./PIN	Kg	Remarks
010	1J584-01600	OELWANNE,KIT	PAN,OIL,KIT	1			2.540	
020	15707-33750	ENTLEERUNGSSTOPFEN	PLUG(DRAIN)	2			0.095	
030	16265-96670	DICHTUNG	PACKING	2			0.010	
040	1C011-91012	SCHRAUBE	BOLT,FLANGE	18			0.100	
050	1C010-91100	BOLZEN	BOLT,OILPAN	6			0.020	
060	1C011-32110	OELFILTER	FILTER(OIL)	1			0.280	
070	04814-00220	O RING	O RING	1			0.001	
080	01754-50812	SCHRAUBE	BOLT,FLANGE	2			0.010	
090	1C010-36422	FUEHRUNG, OELMESSSTAB	GUIDE,OIL GAUGE	1			0.014	
100	1C042-36410	OELMESSSTAB	GAUGE,OIL	1			0.030	
110	1J540-05840	ROHR,KOMP.	PIPE,COMP (OIL RETURN)	1			0.067	

Update Date : 11-07-2019 Print Date : 12-03-2022





**Download the full PDF manual instantly.**

**Our customer service e-mail:**

**[aservicemanualpdf@yahoo.com](mailto:aservicemanualpdf@yahoo.com)**