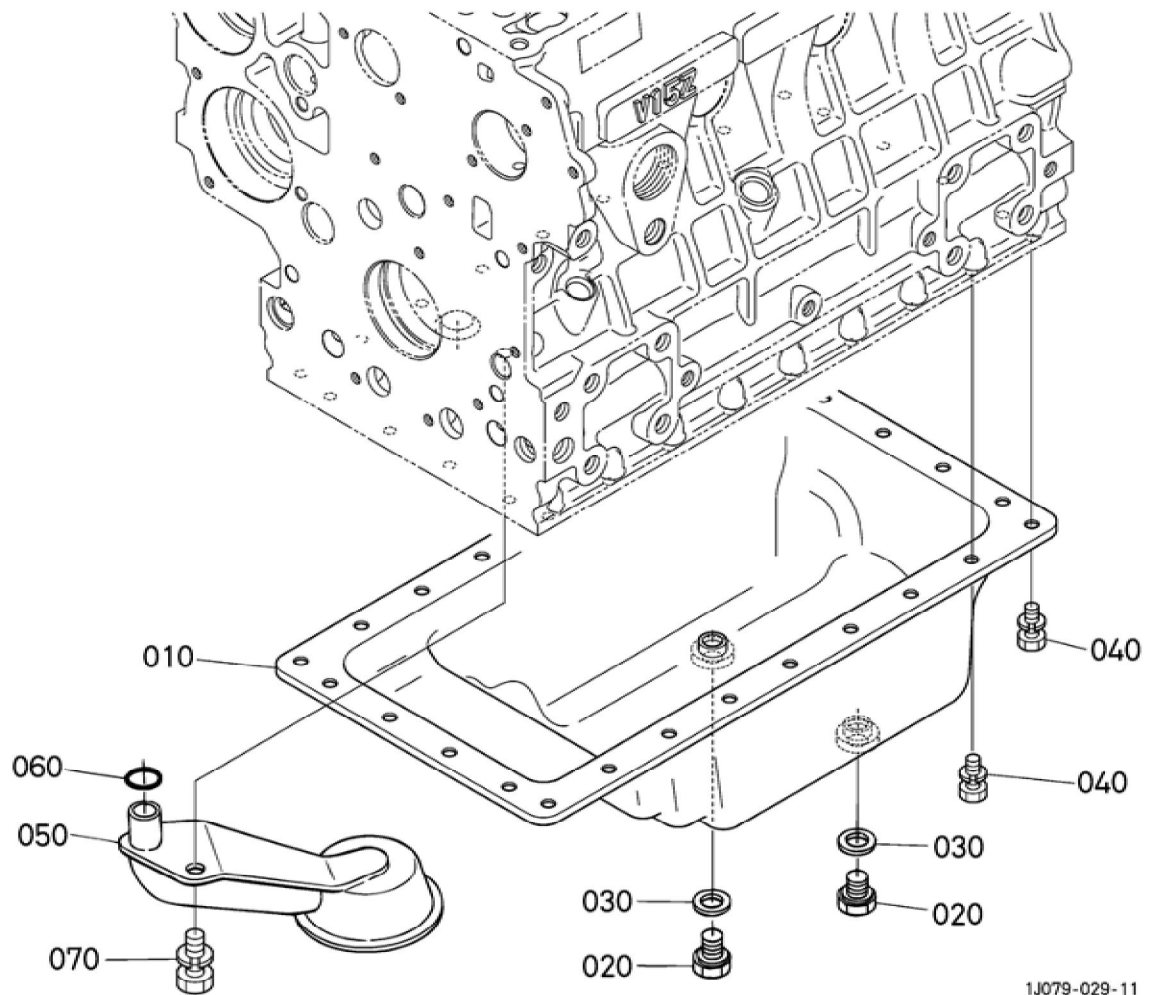


BKIDK5401 >> LX-351 >> MOTOR / ENGINE >> 500000 KURBELGHAEUSE / CRANKCASE

Update Date : 16-04-2021 Print Date : 11-03-2022

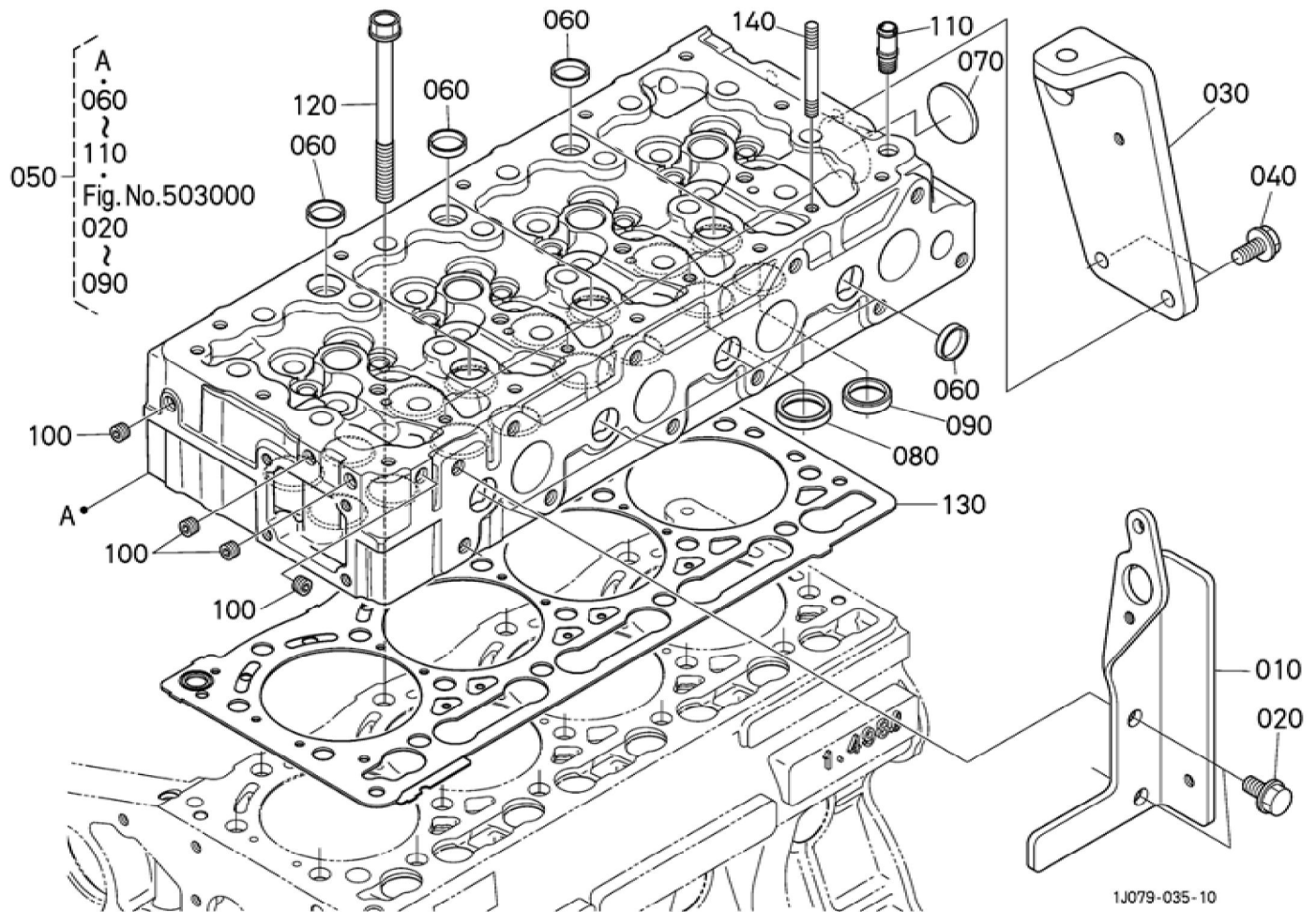
No.	Part Number	Part Name (POL)	Part Name (ENG)	QTY	IC	Serial No./PIN	Kg	Remarks
010	1J070-01020	KOMP.KURBELGHAEUSE	CRANKCASE, COMP	1			31.000	
020	15451-96270	KAPPE	CAP,SEALING	6			0.010	
030	15221-03490	STOPFEN	CAP,SEALING	1			0.020	
040	15261-96010	STOPFEN	PLUG	4			0.002	
050	16241-96010	STOPFEN	PLUG	3			0.007	
060	15521-96020	STOPFEN	PLUG	3			0.003	
070	17391-96160	STOPFEN	PLUG,EXPANSION	3			0.003	
080	16271-96160	STOPFEN	PLUG,EXPANSION	1			0.025	
090	15261-96010	STOPFEN	PLUG	1			0.002	
100	16683-96020	STOPFEN	PLUG	1			0.088	
110	05012-00814	ZYLINDERSTIFT	PIN,STRAIGHT	2			0.006	
120	05012-00610	ZYLINDERSTIFT	PIN,STRAIGHT	2			0.003	
130	15231-33960	ROHRSTIFT	PIN,PIPE	2			0.001	
140	16241-33650	ROHRSTIFT	PIN,PIPE	1			0.002	
150	1J070-71010	ROHR,KOMP.	PIPE,COMP (WATER,EGR)	1			0.049	
160	17331-73342	WASSERROHR	PIPE,WATER RETURN	1			0.010	
170	15321-73340	WASSERROHR	PIPE(WATER RETURN)	1			0.016	



BKIDK5401 >> LX-351 >> MOTOR / ENGINE >> 501000 OELWANNE / OIL PAN

Update Date : 16-04-2021 Print Date : 11-03-2022

No.	Part Number	Part Name (POL)	Part Name (ENG)	QTY	IC	Serial No./PIN	Kg	Remarks
010	16271-01502	KOMP.OELW ANNE	COMP.OIL PAN	1			1.700	
020	16271-33750	STOPFEN	PLUG	2			0.034	
030	15471-96650	DICHTUNGSP LATTE	PACKING	2			0.002	
040	01023-50614	BOLZEN	BOLT,SEMS	26			0.005	
050	16271-32118	OELFILTER	FILTER,OIL	1			0.240	
060	04814-00160	O RING	O RING	1			0.001	
070	01123-50816	SCHRAUBE	BOLT,SEMS	1			0.011	

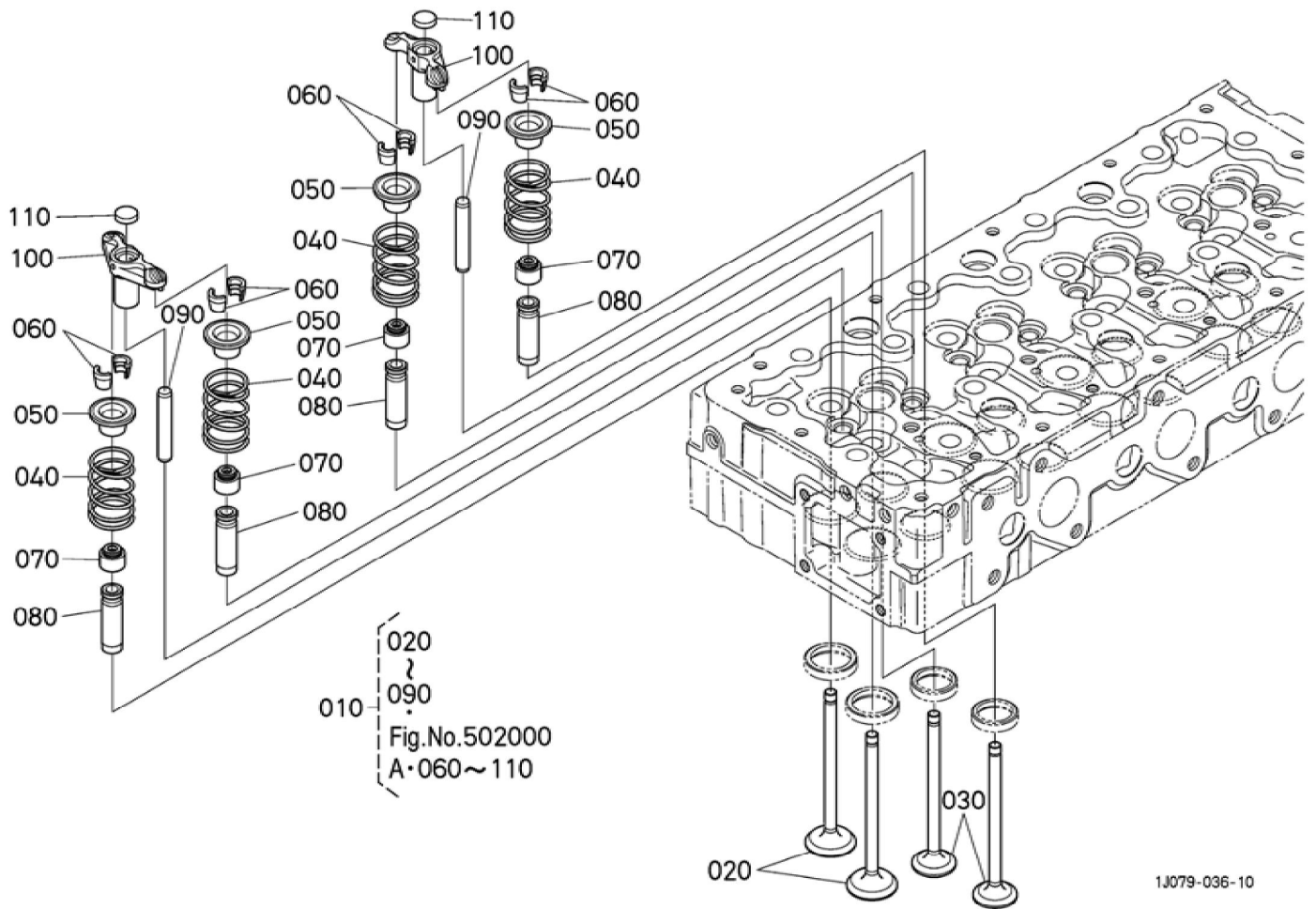


BKIDK5401 >> LX-351 >> MOTOR / ENGINE >> 502000 ZYLINDERKOPF / CYLINDER HEAD

Update Date : 16-04-2021 Print Date : 11-03-2022

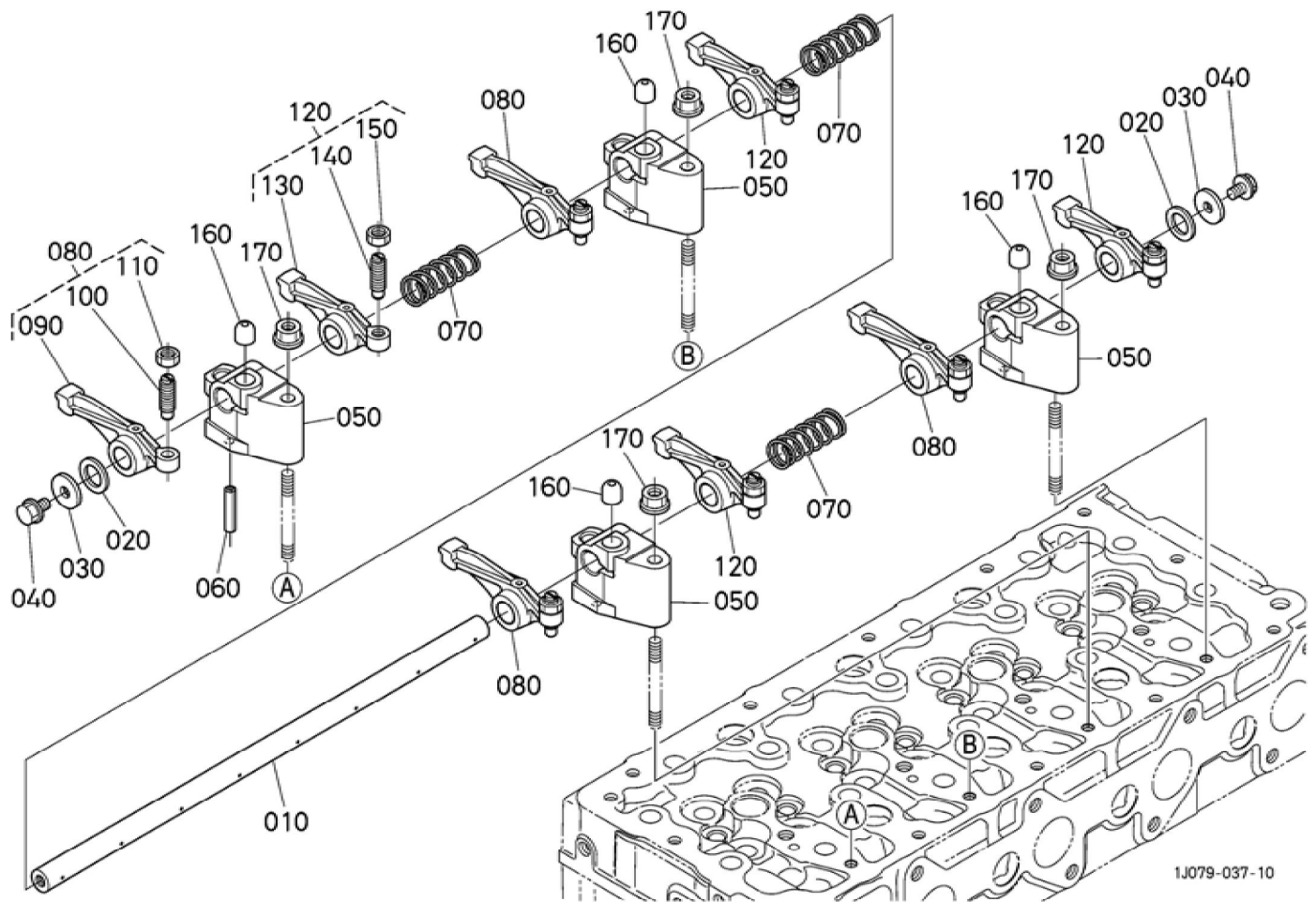
No.	Part Number	Part Name (POL)	Part Name (ENG)	QTY	IC	Serial No./PIN	Kg	Remarks
010	1J070-01750	HAKEN	HOOK (ENGINE,1)	1			0.469	
020	01754-50816	SCHRAUBE	BOLT,FLANGE	2			0.011	
030	1J079-01770	HAKEN	HOOK (ENGINE,2)	1			0.734	
040	01754-50816	SCHRAUBE	BOLT,FLANGE	2			0.011	
050	1J070-03020	ZYLINDERKOPF,KOMP.	HEAD,CYLINDER,ASSY	1			18.000	
060	15261-03370	STOEPSEL,ABDICHTUNG	CAP,SEALING	10			0.005	
070	15321-96260	KAPPE	CAP,SEALING	1			0.014	
080	1J070-13780	VENTILSITZ	SEAT,VALVE (INLET)	8			0.007	
090	1J070-13790	VENTILSITZ AUSPUFF	SEAT,VALVE (EXHAUST)	8			0.006	
100	15261-96010	STOPFEN	PLUG	4			0.002	
110	15531-73340	WASSERROHR	PIPE,WATER RETURN	1			0.010	
120	1J070-03452	ZYLINDERKOPFSCHRAUBE	BOLT,HEAD	18			0.064	
130	1J070-03310	DICHTUNG	GASKET (CYL.HEAD)	1			0.203	
140	01513-50645	STEBBOLZEN	BOLT,STUD	4			0.011	

Update Date : 16-04-2021 Print Date : 11-03-2022



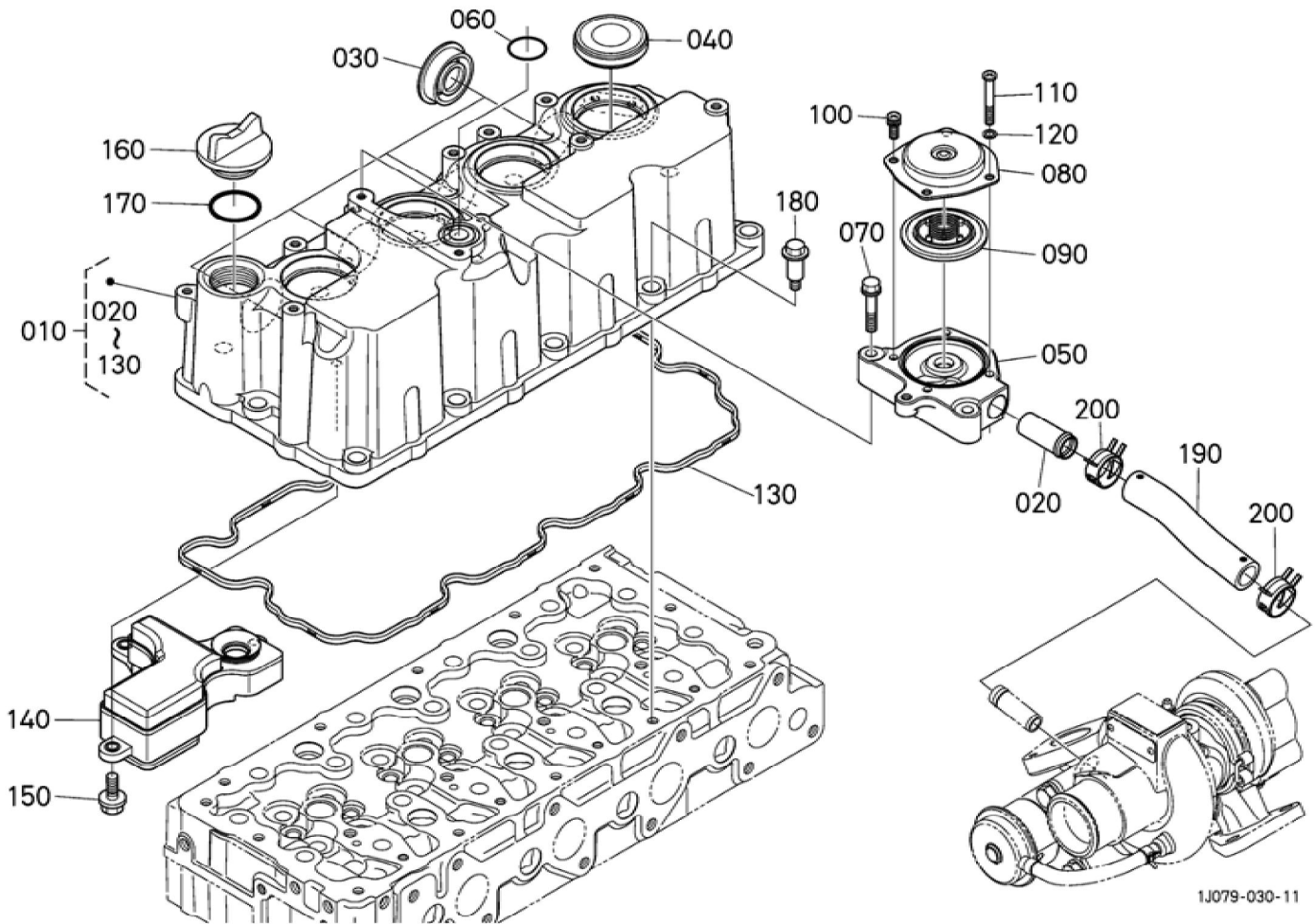
Update Date : 16-04-2021 Print Date : 11-03-2022

No.	Part Number	Part Name (POL)	Part Name (ENG)	QTY	IC	Serial No./PIN	Kg	Remarks
010	1J070-03020	ZYLINDERKOPF, KOMP.	HEAD, CYLINDER, ASSY	1			18.000	
020	1J070-13112	VENTIL	VALVE (INLET)	8			0.000	
030	1J070-13122	VENTIL	VALVE (EXHAUST)	8			0.000	
040	14601-13240	VENTIL-FEDER	SPRING, VALVE	16			0.015	
050	14601-13330	FEDER, HALTEBUEGEL	RETAINER (VALVE SPRING)	16			0.010	
060	14601-13980	KLEMMSCHEIBE	COLLET, VALVE SPRING	16			0.001	SET
070	1J070-41110	VENTILDICHTUNG	SEAL (VALVE, STEM)	16			0.003	
080	1J700-13540	EINLASSVENTILFUEHRUNG	GUIDE, VALVE, INLET	16			0.014	
090	1J700-13480	WELLE	SHAFT, VALVE	8			0.016	
100	1J070-13460	HUBARM, VENTIL	ARM (VALVE BRIDGE)	8			0.039	
110	1J070-13490	PUFFER	PAD	8			0.002	



Update Date : 16-04-2021 Print Date : 11-03-2022

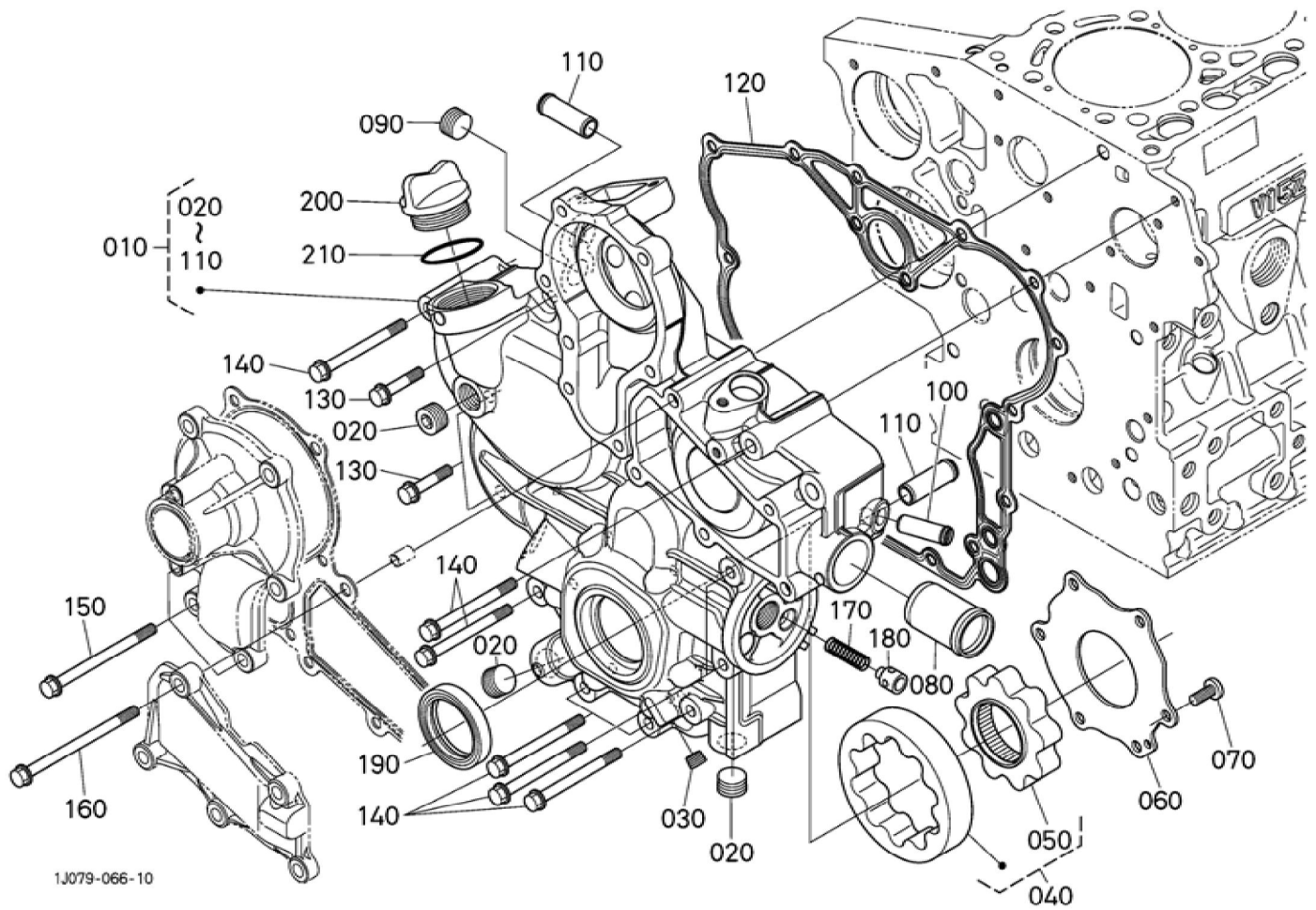
No.	Part Number	Part Name (POL)	Part Name (ENG)	QTY	IC	Serial No./PIN	Kg	Remarks
010	1J070-14260	KIPPHEBELWELLE	SHAFT (ROCKER ARM)	1			0.240	
020	16241-14430	SCHEIBE	WASHER,R-ARM.SHAFT	2			0.002	
030	15841-94022	SCHEIBE	WASHER,PLAIN	2			0.005	
040	01754-50610	SCHRAUBE	BOLT,FLANGE	2			0.006	
050	1J070-14350	KIPPHEBELHALTER	BRACKET (ROCKER ARM)	4			0.249	
060	05411-00425	STIFT	PIN,SPRING	1			0.001	
070	1J070-14310	FEDER	SPRING (ROCKER ARM)	3			0.003	
080	1J070-14022	SCHWINGHEBEL	ARM,ROCKER,ASSY (INLET)	4			0.070	
090	1J070-14140	SCHWINGHEBEL,ANSAUGER	ARM,ROCKER (INLET)	4			0.070	
100	16241-14230	STELLSCHRAUBE	SCREW,ADJUSTING	4			0.008	
110	16241-14240	MUTTER	NUT	4			0.004	
120	1J070-14152	SCHWINGHEBEL	ARM,ROCKER,ASSY (EXHAUST)	4			0.070	
130	1J070-14160	SCHWINGHEBEL,AUSPUFF	ARM,ROCKER (EXHAUST)	4			0.062	
140	16241-14230	STELLSCHRAUBE	SCREW,ADJUSTING	4			0.008	
150	16241-14240	MUTTER	NUT	4			0.004	
160	1J770-53530	STIFT	PIN(CLAMP)	4			0.010	
170	02751-50060	MUTTER	NUT,FLANGE	4			0.005	



BKIDK5401 >> LX-351 >> MOTOR / ENGINE >> 505000 DECKEL OBEN / HEAD COVER

Update Date : 16-04-2021 Print Date : 11-03-2022

No.	Part Number	Part Name (POL)	Part Name (ENG)	QTY	IC	Serial No./PIN	Kg	Remarks
010	1J070-14502	DECKEL OBEN, KOMP.	COVER, HEAD ,ASSY	1			2.170	
020	16241-05550	VERBINDUNG	JOINT, BREATH ER PIPE	1			0.020	
030	1C020-53810	DICHTUNG	SEAL, INJECTI ON PIPE	4			0.016	
040	1J770-53590	DICHTUNG, INJEKTOR	SEAL (INJECTOR)	4			0.020	
050	1J070-14670	DISTANZSCH EIBE	SPACER (BREATH ER)	1			0.000	
060	04816-00220	O RING	O RING	1			0.003	
070	01754-50630	SCHRAUBE	BOLT, FLANG E	2			0.010	
080	1G801-05120	ENTLUEFTER DECKEL	COVER, BREA THER	1			0.035	
090	1G911-05203	ENTLUEFTER	COMP VALVE, BREA THER	1			0.010	
100	03024-50514	SCHRAUBE	SCREW, SEM S(PAN HEAD)	3			0.003	
110	03054-50535	SCHRAUBE	SCREW, PAN HEAD (PHILLIPS)	1			0.005	
120	04512-50050	FEDERRING	WASHER, SP RING LOCK	1			0.001	
130	1J070-14520	VENTILDECK ELDICHTUNG	GASKET (HEAD COVER)	1			0.022	
140	1J070-14710	KASSETTE, K OMP.	BOX, COMP	1			0.122	
150	T4140-47380	SCHRAUBE, UBS	BOLT, UBS (COATING)	3			0.006	
160	E9151-33140	OELEINFUEL LSTOPFEN	PLUG(OIL FILLER)	1			0.017	
170	1J001-96770	O RING	O RING	1			0.001	
180	1G911-91022	BOLZEN	BOLT	12			0.015	
190	1J070-05510	ROHR	TUBE (BREATH ER TURBO)	1			0.021	
200	09318-88185	SCHLAUCHBI NDER	CLAMP, HOSE	2			0.004	





Download the full PDF manual instantly.

Our customer service e-mail:

aservicemanualpdf@yahoo.com