

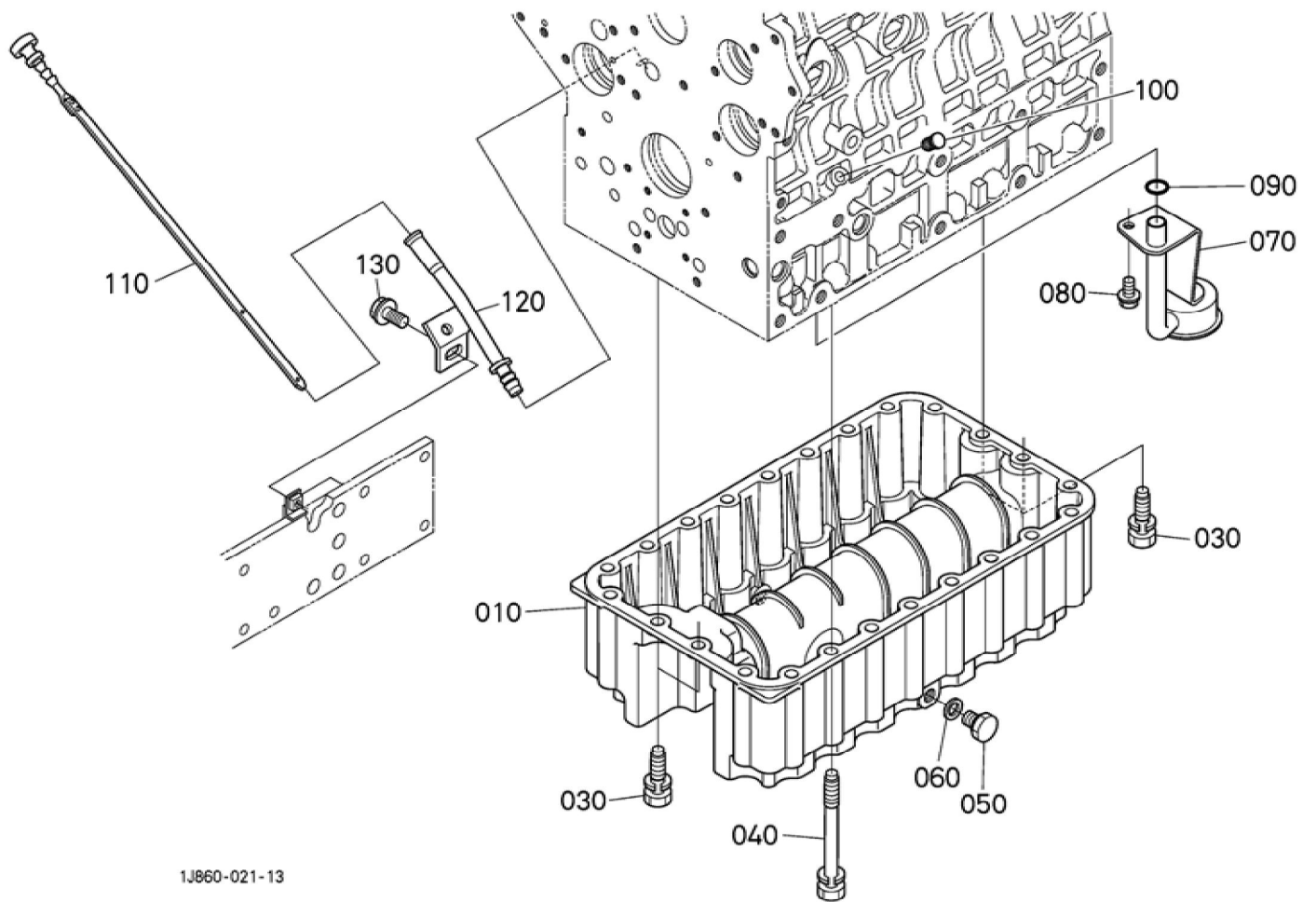
BKIDK5099 >> L5040GST-C-2 >> MOTOR / ENGINE >> 000102 KURBELGEHAEUSE / CRANKCASE

Update Date : 20-11-2019 Print Date : 08-03-2022

No.	Part Number	Part Name (POL)	Part Name (ENG)	QTY	IC	Serial No./PIN	Kg	Remarks
010	1A295-01010	KOMP.KURBELGEHAEUSE	CRANKCASE, COMP	1		<=7EXZ999	0.000	
010	1A295-01013	KOMP.KURBELGEHAEUSE	CRANKCASE, COMP	1	>>	>=7EY0001	0.000	
015	06312-10020	STOPFEN	W-PLUG	1			0.016	
020	15521-96020	STOPFEN	PLUG	6			0.003	
030	15521-96030	STOPFEN	PLUG	2			0.007	
040	17391-96160	STOPFEN	PLUG,EXPANSION	3			0.003	
050	16271-96160	STOPFEN	PLUG,EXPANSION	1			0.025	
060	15221-03380	STOPFEN	CAP,SEALING	6			0.017	
070	15221-03390	STOPFEN	CAP,SEALING	2			0.030	
080	15261-03370	STOEPSSEL,ABDICHTUNG	CAP,SEALING	1			0.005	
090	1A091-03380	STOPFEN	PLUG,WEIGHT SHAFT	2			0.005	
100	05012-00408	ZYLINDERSTIFT	PIN,STRAIGHT	2			0.001	
110	05012-00609	ZYLINDERSTIFT	PIN,STRAIGHT	3			0.003	
120	05012-00612	ZYLINDERSTIFT	PIN, STRAIGHT	2			0.003	
130	05012-01018	ZYLINDERSTIFT	PIN,STRAIGHT	1			0.012	
140	15221-33650	ROHRSTIFT	PIN,PIPE	1			0.004	
150	1A091-26990	METALLTEIL	METAL (SHAFT,WEIGHT)	2			0.026	
160	1G425-26980	METALLTEIL	METAL (SHAFT,WEIGHT,2)	2			0.030	
170	1A091-26970	METALLTEIL	METAL (SHAFT,WEIGHT)	2			0.012	
180	1J860-33140	OELEINFUELLSSTOPFEN	PLUG,OIL FILLER	1			0.030	
190	1A021-33110	FLANSCH	FLANGE,OIL FILLER	1		<=7FPZ999	0.070	
190	1A021-33112	EINFUELLSFLANSCH	FLANGE,OIL FILLER	1	>>	>=7FQ0001	0.070	

Update Date : 20-11-2019 Print Date : 08-03-2022

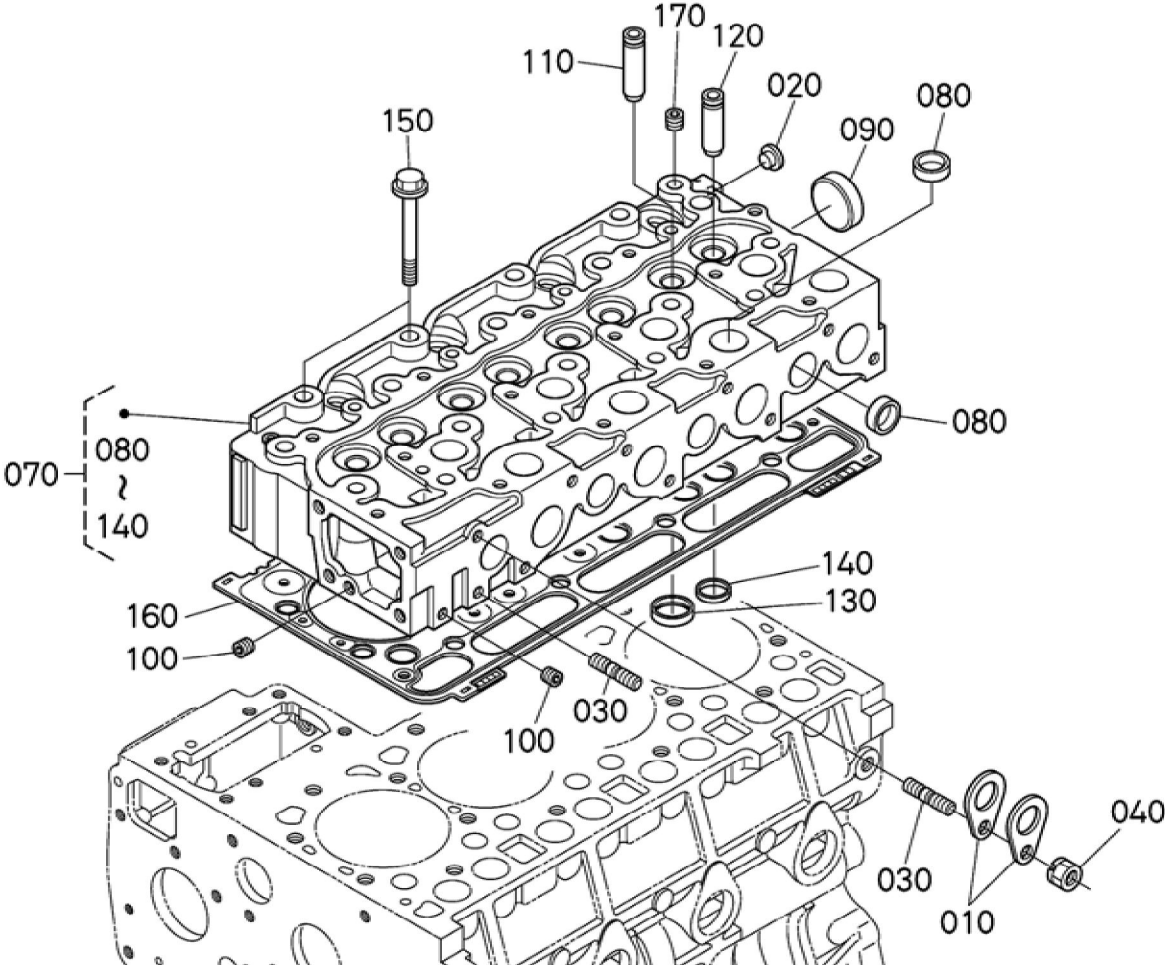
No.	Part Number	Part Name (POL)	Part Name (ENG)	QTY	IC	Serial No./PIN	Kg	Remarks
200	1A021-51660	DICHTUNGSP LATTE	GASKET, PUMP COVER	1		<=7HXZ999	0.003	
200	1A021-51663	DICHTUNGSP LATTE	GASKET, PUMP COVER	1	>>	>=7HY0001	0.003	
210	01023-50618	BOLZEN	BOLT,SEMS	1			0.006	
220	15471-35013	GRP.OELPUM PE	ASSY PUMP,OIL	1			0.550	
230	1A021-35150	DICHTUNGSP LATTE	GASKET,OIL PUMP	1			0.001	
240	01023-50650	BOLZEN	BOLT,SEMS	4			0.012	
250	17301-35663	ZAHNRAD	GEAR(OIL PUMP DRIVE)	1			0.215	
260	05712-00410	KEIL	KEY,FEATHE R	1			0.001	
270	15221-35682	MUTTER	NUT	1			0.014	
280	1A021-57483	TRAEGER	BRACKET (ACCEL.CABL E)	1			0.125	
290	01023-50622	BOLZEN	BOLT,SEMS	3			0.005	



BKIDK5099 >> L5040GST-C-2 >> MOTOR / ENGINE >> 000202 OELWANNE / OIL PAN

Update Date : 20-11-2019 Print Date : 08-03-2022

No.	Part Number	Part Name (POL)	Part Name (ENG)	QTY	IC	Serial No./PIN	Kg	Remarks
010	1G427-01610	OELWANNE	OIL PAN	1			4.700	
030	1A091-91010	BOLZEN	BOLT,SEMS	4			0.025	
040	01133-51002	BOLZEN	BOLT,SEMS	20			0.070	
050	16427-33750	ENTLEERUNGSSTOPFEN	PLUG,DRAIN	2			0.030	
060	6C090-58960	DICHTUNGSPLATTE	GASKET	2			0.005	
070	1A024-32110	OELFILTER	FILTER(OIL)	1		<=7FZZ999	0.220	REIHENFOLGE VON REF.No.070 NEUE TEILE.
070	1A328-32110	OELFILTER	FILTER(OIL,1)	1	>>	>=7GA0001	0.240	
080	01754-50812	SCHRAUBE	BOLT,FLANGE	1			0.008	
090	04817-00160	O RING	O RING	1			0.001	
100	1G513-36550	STOPFEN, OELMESSSTAB	PLUG,OIL GAUGE	1			0.004	
110	T1080-16600	OELMESSSTAB	GAUGE,OIL	1			0.020	
120	TD060-16615	FUEHRUNG, OELMESSSTAB	GUIDE,OIL GAUGE	1			0.075	
130	01754-50816	SCHRAUBE	BOLT,FLANGE	1			0.011	



BKIDK5099 >> L5040GST-C-2 >> MOTOR / ENGINE >> 000302 ZYLINDERKOPF / CYLINDER HEAD

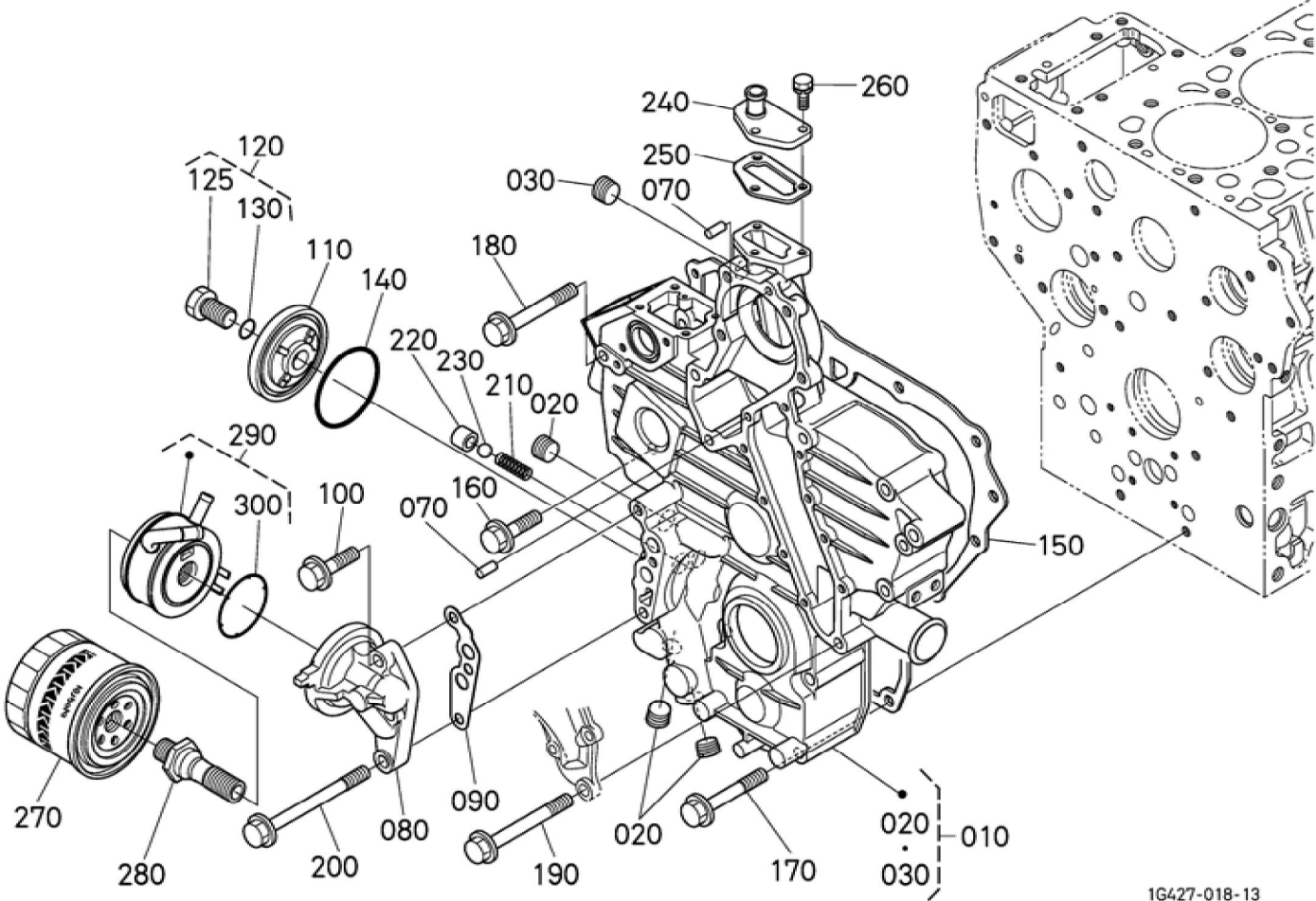
Update Date : 20-11-2019 Print Date : 08-03-2022

No.	Part Number	Part Name (POL)	Part Name (ENG)	QTY	IC	Serial No./PIN	Kg	Remarks
010	15221-01750	MOTORHAKE N	HOOK,ENGIN E	2			0.040	
020	09980-10075	KAPPE	CAP,PROTEC TOR	1			0.001	
030	15471-91530	STEBOLZEN	BOLT,STUD	2			0.010	
040	16429-92010	MUTTER	NUT WITH LOCK WASHER	1			0.007	
070	1J854-03040	KOMP.ZYLIN DERKOPF	HEAD,CYL,C OMP	1			20.000	
080	15221-03370	STOPFEN	PLUG,CUP TYPE	12			0.010	
090	15221-03490	STOPFEN	CAP,SEALING	1			0.020	
100	15261-96010	STOPFEN	PLUG	2			0.002	
110	1G896-13580	EINLASSVEN TILFUEHRUN G	GUIDE,VALVE ,INLET	4		<=7JVZ999	0.020	
110	1J829-13580	VENTILFUEH RUNG	GUIDE,VALVE (INLET)	4	>>	>=7JW0001	0.020	
120	1C010-13560	AUSLASSVEN TILFUEHRUN G	GUIDE,EXHA UST VALVE	4		<=7JVZ999	0.025	
120	1J829-13560	VENTILFUEH RUNG	GUIDE,VALVE (EXHAUST)	4	>>	>=7JW0001	0.020	
130	16415-13620	VENTILSITZ, EINLASSVEN TIL	SEAT,VALVE (INLET)	4			0.010	
140	16415-13612	VENTILSITZ, AUSLASSVEN TIL	SEAT (EXHAUST VALVE)	4			0.010	
150	19013-03450	ZYLINDERKO PFSCHRAUB E	BOLT,HEAD (CYLINDER)	18			0.077	
160	1G790-03312	ZYLINDERKO PFDICHTUNG	GASKET,CYL. HEAD	1			0.290	1.20mm
160	1G790-03602	ZYLINDERKO PFDICHTUNG	GASKET,CYL. HEAD	1			0.275	1.15mm
160	1G790-03612	ZYLINDERKO PFDICHTUNG	GASKET,CYL. HEAD	1			0.300	1.25mm
160	1G790-03622	ZYLINDERKO PFDICHTUNG	GASKET,CYL. HEAD	1			0.315	1.30mm
160	1G790-03632	ZYLINDERKO PFDICHTUNG	GASKET,CYL. HEAD	1			0.330	1.35mm

BKIDK5099 >> L5040GST-C-2 >> MOTOR / ENGINE >> 000302 ZYLINDERKOPF / CYLINDER HEAD

Update Date : 20-11-2019 Print Date : 08-03-2022

No.	Part Number	Part Name (POL)	Part Name (ENG)	QTY	IC	Serial No./PIN	Kg	Remarks
170	15841-96020	STOPFEN	PLUG	1			0.020	



BKIDK5099 >> L5040GST-C-2 >> MOTOR / ENGINE >> 000402 GETRIEBEGHAEUSE / GEAR CASE

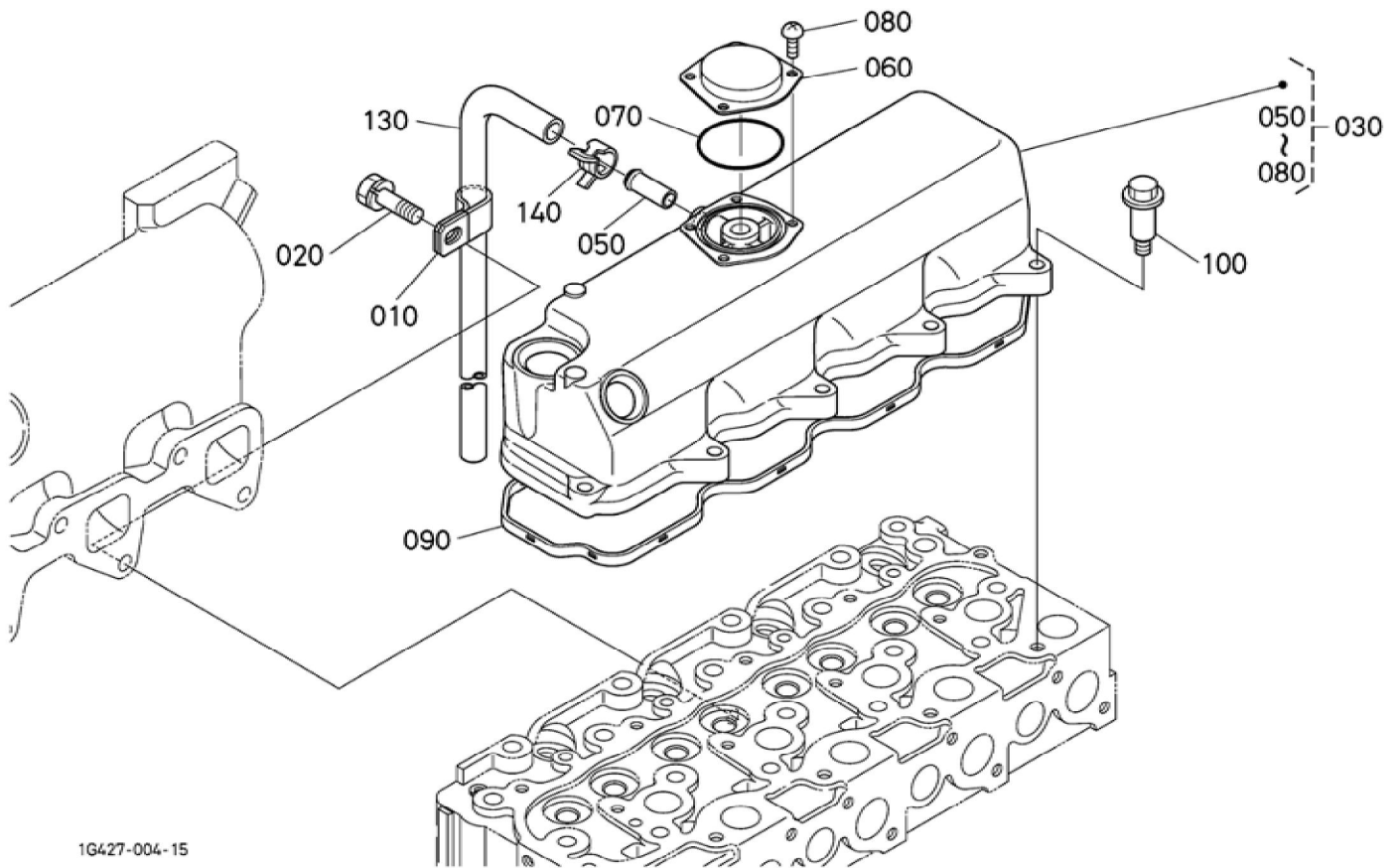
Update Date : 20-11-2019 Print Date : 08-03-2022

No.	Part Number	Part Name (POL)	Part Name (ENG)	QTY	IC	Serial No./PIN	Kg	Remarks
010	1J860-04023	GETRIEBEGE HAEUSE KOMP.	COMP.CASE, GEAR	1			4.300	
020	16241-96020	STOPFEN	PLUG	3			0.015	
030	1A021-96020	STOPFEN	PLUG	1			0.020	
070	05012-00612	ZYLINDERSTI FT	PIN, STRAIGHT	2			0.003	
080	1G742-32615	HALTER, OELFILTER	BASE,OIL FILTER	1			0.245	
090	1J860-32620	DICHTUNGSP LATTE	GASKET(OIL FILTER BASE)	1			0.002	
100	01754-50830	SCHRAUBE	BOLT,FLANG E	2			0.050	
110	17331-32880	DECKEL	COVER	1			0.075	
120	17331-32910	KOMP.BOLZE N	BOLT,COMP	1			0.070	
125	17331-32900	BOLZEN	BOLT	1			0.060	
130	04817-00150	O RING	O RING	1			0.001	
140	19202-96830	O RING	O RING	1			0.010	
150	1G896-04130	DICHTUNG	GASKET,GEA R CASE	1			0.060	
160	01754-50830	SCHRAUBE	BOLT,FLANG E	1			0.050	
170	1A021-91030	SCHRAUBE	BOLT,SEMS	7			0.030	
180	01754-50875	SCHRAUBE	BOLT,FLANG E	2			0.030	
190	01754-50885	SCHRAUBE	BOLT,FLANG E	3			0.032	
200	1A021-91040	SCHRAUBE	BOLT	1			0.045	
210	15241-36950	FEDER	SPRING	1			0.004	
220	15521-36930	SITZ,VENTIL	SEAT,VALVE	1			0.015	
230	07715-03213	KUGEL	BALL	1			0.004	
240	15521-73320	FLANSCH	FLANGE,WAT ER RETURN	1			0.040	
250	1A021-73332	DICHTUNGSP LATTE	GASKET (RETURN FLANGE)	1			0.001	
260	01023-50620	BOLZEN	BOLT,SEMS	3			0.006	
270	HH164-32430	OELFILTERP ATRONE	FILTER (CARTRIDGE, OIL)	1			0.500	

Update Date : 20-11-2019 Print Date : 08-03-2022

No.	Part Number	Part Name (POL)	Part Name (ENG)	QTY	IC	Serial No./PIN	Kg	Remarks
280	1G849-37083	ANSCHLUSS	CONNECTOR	1			0.150	
290	1G427-37012	GRP.OELKUEHLER	ASSY COOLER,OIL	1			1.100	
300	K7561-33120	O RING	O RING,73.5X3.1	1			0.025	

Update Date : 20-11-2019 Print Date : 08-03-2022





Download the full PDF manual instantly.

Our customer service e-mail:

aservicemanualpdf@yahoo.com