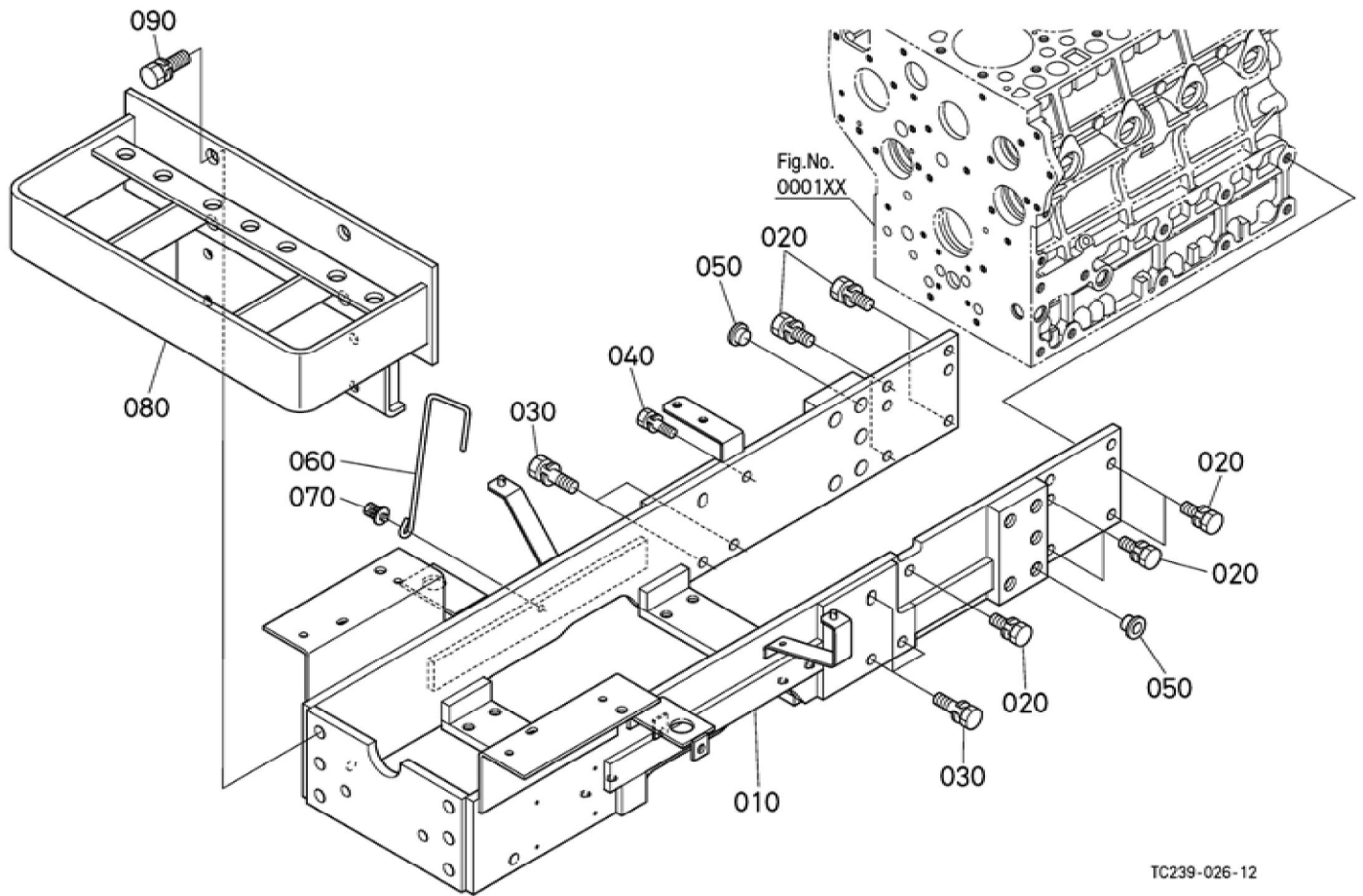


Update Date : 20-09-2019 Print Date : 10-03-2022

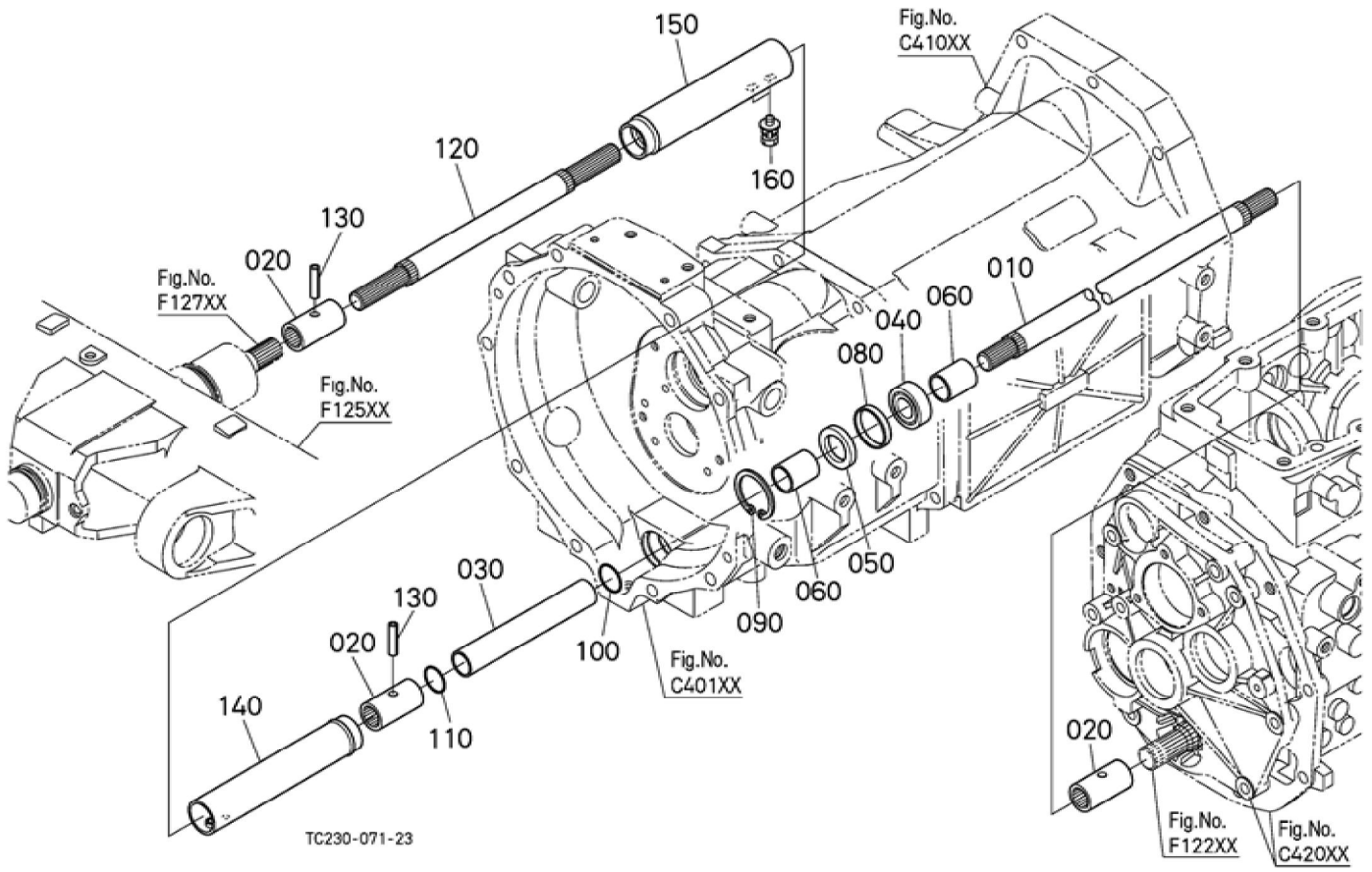


TC239-026-12

Update Date : 20-09-2019 Print Date : 10-03-2022

| No. | Part Number | Part Name (POL) | Part Name (ENG) | QTY | IC | Serial No./PIN | Kg | Remarks |
|-----|-------------|-------------------|------------------|-----|----|----------------|--------|---------|
| 010 | TC239-14000 | VORDERACHSERAHMEN | FRAME,FRONT AXLE | 1 | | <=50228 | 0.000 | |
| 010 | TC239-14003 | VORDERACHSERAHMEN | FRAME,FRONT AXLE | 1 | NI | >=50229 | 42.000 | |
| 020 | 01138-51230 | BOLZEN | BOLT,SEMS | 9 | | | 0.040 | |
| 030 | 01138-51240 | SCHRAUBE | BOLT,SEMS | 6 | | | 0.046 | |
| 040 | 01138-51030 | BOLZEN | BOLT,SEMS | 1 | | | 0.003 | |
| 050 | 33300-90910 | STOPFEN | PLUG | 10 | | | 0.002 | |
| 060 | TC239-14250 | FUEHRUNG | GUIDE,P.S. HOSE | 1 | | <=50435 | 0.055 | |
| 060 | TC230-14253 | FUEHRUNG | GUIDE,P.S. HOSE | 1 | NI | >=50436 | 0.050 | |
| 070 | 01123-50812 | BOLZEN | BOLT,SEMS | 2 | | <=50435 | 0.100 | |
| 070 | 01125-50816 | SCHRAUBE | BOLT,W SEMS | 1 | NI | >=50436 | 0.013 | |
| 080 | TD061-44880 | STOSSTANGE | BUMPER | 1 | | | 12.400 | |
| 090 | 01133-51435 | BOLZEN | BOLT,SEMS | 4 | | | 0.060 | |

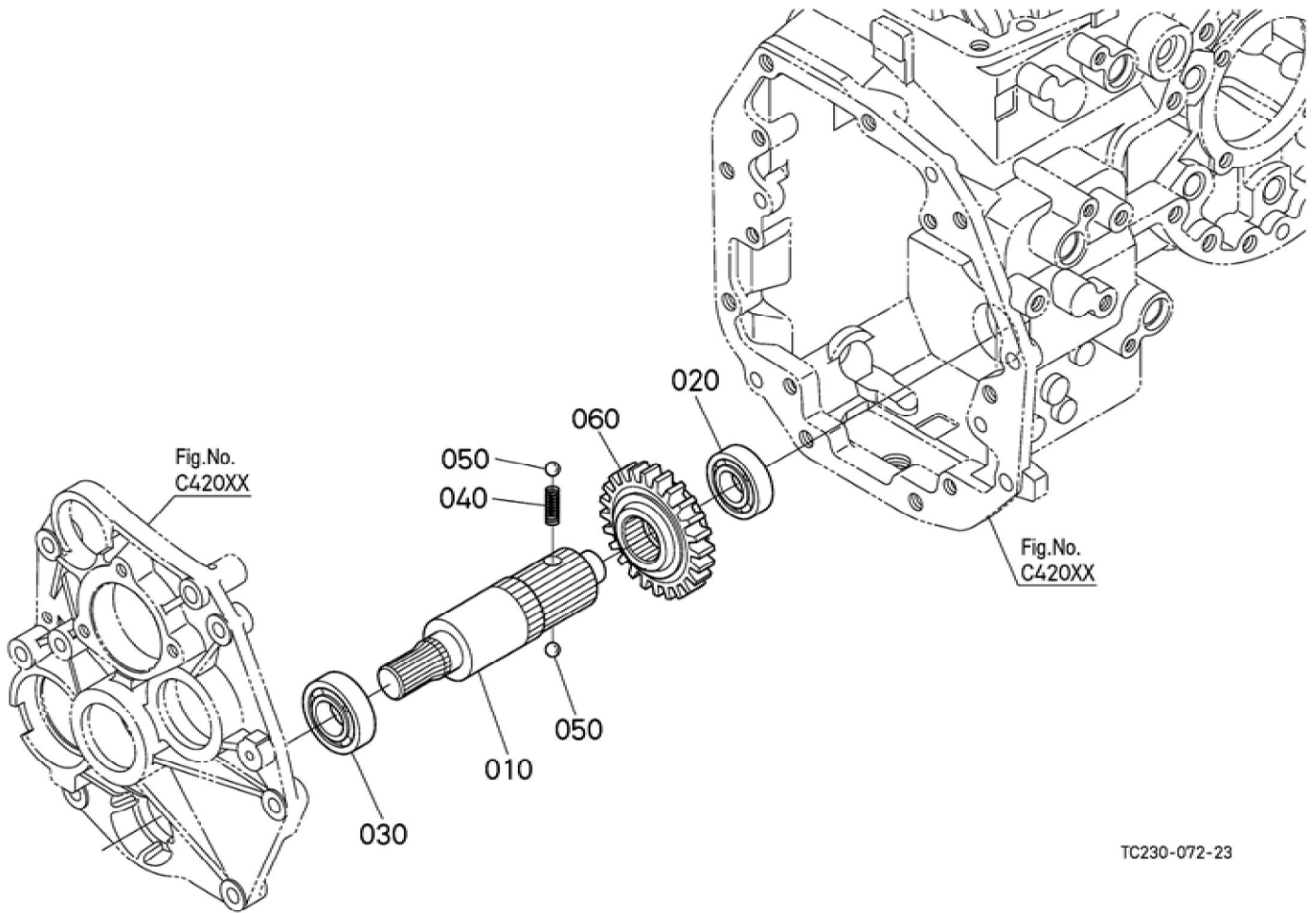
Update Date : 20-09-2019 Print Date : 10-03-2022



Update Date : 20-09-2019 Print Date : 10-03-2022

| No. | Part Number | Part Name (POL) | Part Name (ENG) | QTY | IC | Serial No./PIN | Kg | Remarks |
|-----|-------------|------------------|-------------------------|-----|----|----------------|-------|---------|
| 010 | TC230-14640 | PROPELLERWELLE | SHAFT,PROPELLER | 1 | | | 2.300 | |
| 020 | T0070-14710 | KUPPLUNG | COUPLING | 3 | | | 0.160 | |
| 020 | H3130-44520 | KUPPLUNG | COUPLING | 3 | >> | | 0.160 | |
| 030 | TC230-14720 | DISTANZSCHEIBE | SPACER | 1 | | | 0.235 | |
| 040 | TD060-14590 | KUGELLAGER | BEARING,BALL | 1 | | | 0.040 | |
| 050 | TC232-14670 | OELDICHTUNGSRING | SEAL,OIL | 1 | | | 0.010 | |
| 060 | TC232-14680 | MUFFE | SLEEVE | 2 | | | 0.025 | |
| 080 | TD060-14654 | DISTANZSCHEIBE | SPACER,PROPELLERSHAFT | 1 | | | 0.010 | |
| 090 | 04611-00420 | SPRENGRING | CIRCLIP,INTERNAL | 1 | | | 0.006 | |
| 100 | TA040-82180 | O RING | O RING | 1 | | | 0.001 | |
| 110 | TA040-82180 | O RING | O RING | 1 | | | 0.001 | |
| 120 | TC230-14630 | PROPELLERWELLE | SHAFT,PROPELLER | 1 | | | 0.920 | |
| 130 | 05411-00430 | STIFT | PIN SPRING | 2 | | | 0.002 | |
| 140 | TD060-14580 | ABDECKUNG | COVER,SHAFT REAR | 1 | | | 0.260 | |
| 150 | TA040-14574 | ABDECKUNG,WELLE | COVER (SHAFT,PROPELLER) | 1 | | | 0.330 | |
| 160 | TC050-14590 | BOLZEN | BOLT,WITH WASHER | 2 | | | 0.003 | |

Update Date : 20-09-2019 Print Date : 10-03-2022

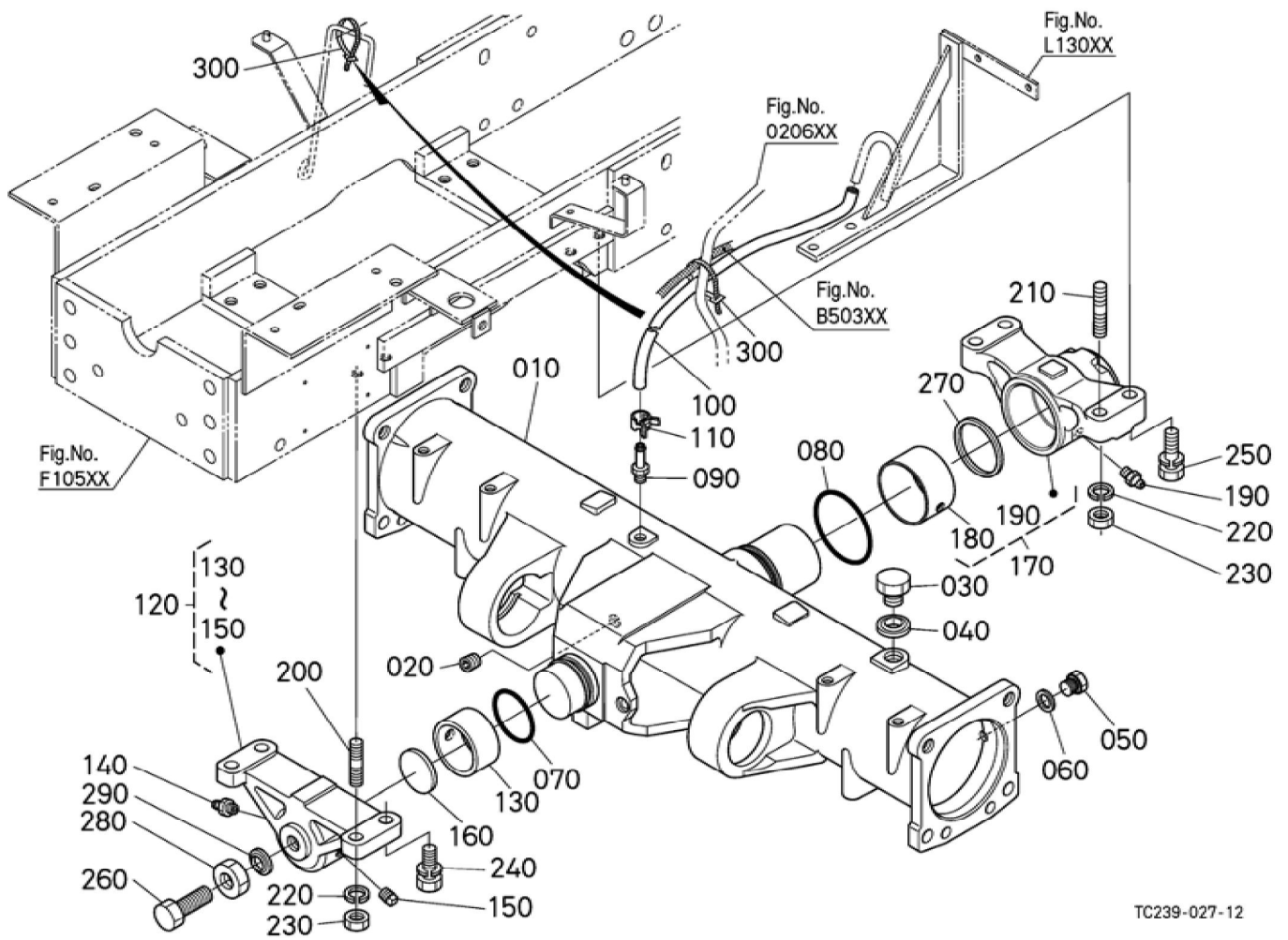


TC230-072-23

Update Date : 20-09-2019 Print Date : 10-03-2022

| No. | Part Number | Part Name (POL) | Part Name (ENG) | QTY | IC | Serial No./PIN | Kg | Remarks |
|-----|-------------|-----------------|-----------------|-----|----|----------------|-------|---------|
| 010 | TA040-15220 | ANTRIEBSWELLE | SHAFT,DRIVE | 1 | | | 1.125 | |
| 020 | 34070-22560 | KUGELLAGE R | BEARING,BALL | 1 | | | 0.100 | |
| 030 | 37410-57190 | KUGELLAGE R | BEARING,BALL | 1 | | | 0.140 | |
| 040 | 35260-24110 | FEDER | SPRING | 1 | | | 0.020 | |
| 050 | 07715-01605 | KUGEL | BALL | 2 | | | 0.003 | |
| 060 | TA040-15170 | ZAHNRAD | GEAR,4WD SHIFT | 1 | | | 0.625 | 24Z |

Update Date : 20-09-2019 Print Date : 10-03-2022



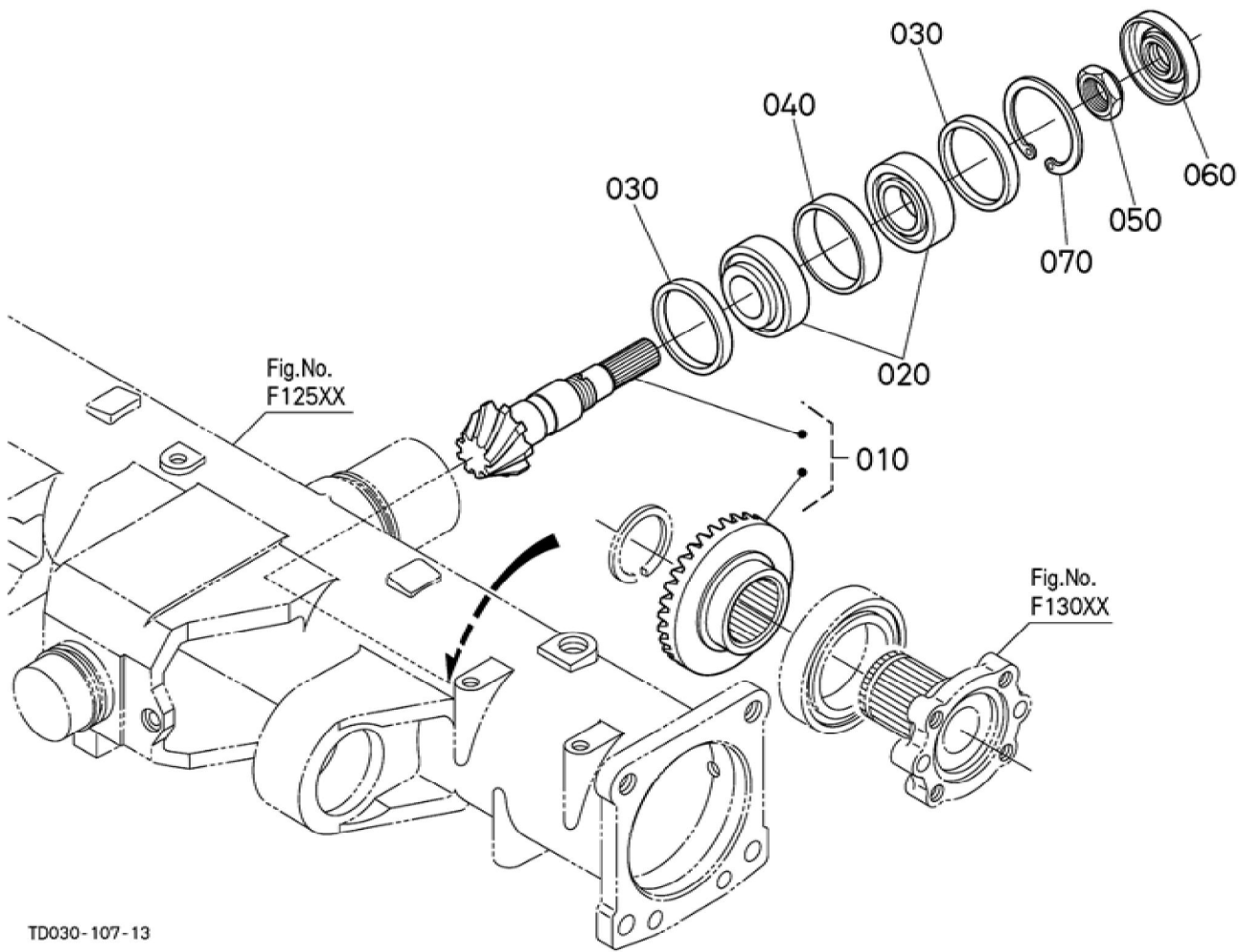
Update Date : 20-09-2019 Print Date : 10-03-2022

| No. | Part Number | Part Name (POL) | Part Name (ENG) | QTY | IC | Serial No./PIN | Kg | Remarks |
|-----|-------------|------------------------------|-------------------------|-----|----|----------------|--------|---------|
| 010 | TD030-12004 | GEHAEUSE,V ORDERACHS E | CASE(FRONT AXLE) | 1 | | | 25.500 | |
| 020 | 16851-96010 | STOPFEN | PLUG | 1 | | | 0.015 | |
| 030 | 06331-35020 | STOPFEN | PLUG | 1 | | | 0.068 | |
| 040 | 04717-02000 | GUMMIUNTE RLAGE | WASHER,SEA L | 1 | | | 0.004 | |
| 050 | 06331-45010 | STOPFEN | PLUG | 1 | | <=50562 | 0.020 | |
| 050 | 06331-35010 | STOPFEN | PLUG | 1 | >> | >=50563 | 0.012 | |
| 060 | 04717-01000 | GUMMIUNTE RLAGE | WASHER,SEA L | 1 | | <=50562 | 0.001 | |
| 060 | 15471-96650 | DICHTUNGSP LATTE | PACKING | 1 | >> | >=50563 | 0.002 | |
| 070 | 04816-00490 | O RING | O RING | 1 | | | 0.005 | |
| 080 | 04811-50700 | O RING | RING | 1 | | | 0.002 | |
| 090 | T0180-12070 | ENTLUEFTUN GSROHR | PIPE,BREATH ER | 1 | | | 0.010 | |
| 100 | 09663-80725 | KRAFTSTOFF ROHR | TUBE,FUEL | 1 | | | 0.080 | |
| 110 | 09318-88115 | SCHLAUCHBI NDER | CLAMP,HOSE | 1 | | | 0.002 | |
| 120 | TA150-13500 | VORDERACH SKONSOLE | HOLDER,ASS Y(FRONT) | 1 | | | 2.200 | |
| 130 | 3A021-41680 | BUCHSE | BUSH | 1 | | | 0.062 | |
| 140 | 06611-15010 | SCHMIERNIP PEL | NIPPLE GREASE | 1 | | | 0.010 | |
| 150 | 06312-10010 | STOPFEN | PLUG | 1 | | | 0.007 | |
| 160 | 37410-56180 | DRUCKRING | COLLAR,THR UST | 1 | | | 0.060 | |
| 170 | TA140-13600 | ACHSKONSO LE | ASSY HOLDER,REA R | 1 | | <=50974 | 3.200 | |
| 170 | TA140-13602 | ACHSKONSO LE | ASSY HOLDER,REA R | 1 | >> | >=50975 | 3.200 | |
| 180 | TA140-13640 | BUCHSE | BUSH | 1 | | | 0.090 | |
| 190 | 06613-10010 | SCHMIERNIP PEL | NIPPLE,GREA SE | 1 | | | 0.006 | |
| 200 | 01574-61235 | STEBOLZEN | STUD | 2 | | | 0.040 | |
| 210 | 01574-51245 | STEBOLZEN | BOLT,STUD | 2 | | | 0.051 | |

Update Date : 20-09-2019 Print Date : 10-03-2022

| No. | Part Number | Part Name (POL) | Part Name (ENG) | QTY | IC | Serial No./PIN | Kg | Remarks |
|-----|-------------|-----------------|--------------------|-----|----|----------------|-------|---------|
| 220 | 04512-50120 | FEDERRING | WASHER,SPRING LOCK | 4 | | | 0.003 | |
| 230 | 02176-50120 | MUTTER | HEX.NUT | 4 | | <=51905 | 0.010 | |
| 230 | T3680-80950 | MUTTER | NUT(M12,CR) | 4 | >> | >=51906 | 0.010 | |
| 240 | 01133-51235 | BOLZEN | BOLT,SEMS | 2 | | | 0.043 | |
| 250 | 01133-51245 | BOLZEN | BOLT,SEMS | 2 | | | 0.055 | |
| 260 | 01175-51645 | BOLZEN | HEX.BOLT | 1 | | | 0.090 | |
| 270 | 34070-13620 | DRUCKRING | COLLAR,THRUST | 1 | | | 0.030 | |
| 280 | 02176-50160 | MUTTER | HEX.NUT | 1 | | | 0.021 | |
| 290 | 04717-01610 | GUMMIUNTERLAGER | WASHERSEAL | 1 | | | 0.004 | |
| 300 | 44366-68380 | BAND | BAND,CORD | 2 | | | 0.010 | |

Update Date : 20-09-2019 Print Date : 10-03-2022



TD030-107-13



Download the full PDF manual instantly.

Our customer service e-mail:

aservicemanualpdf@yahoo.com