

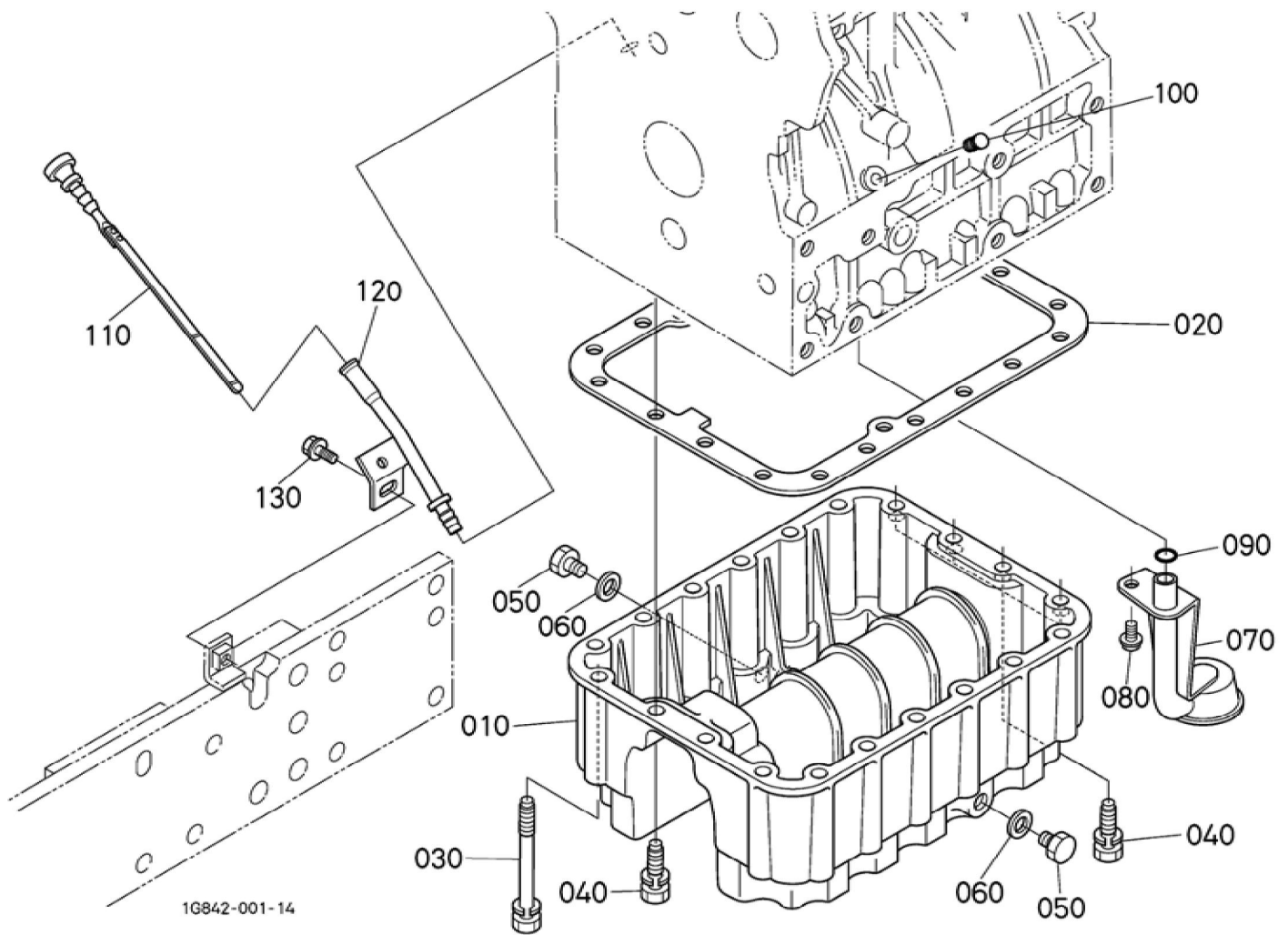
BKIDK0534 >> L3830DT-C >> MOTOR / ENGINE >> 000103 KURBELGHAEUSE / CRANKCASE

Update Date : 18-01-2019 Print Date : 05-03-2022

No.	Part Number	Part Name (POL)	Part Name (ENG)	QTY	IC	Serial No./PIN	Kg	Remarks
010	1A041-01012	KOMP.KURBELGEHAEUSE	COMP.CRANKCASE	1		<=4A0447	48.500	
010	1A041-01013	KOMP.KURBELGEHAEUSE	COMP.CRANKCASE	1	NI	=>4C0001	48.500	
010	1A041-01014	KOMP.KURBELGEHAEUSE	COMP.CRANKCASE	1	>>	=>6C0001	48.500	
020	15521-96020	STOPFEN	PLUG	5			0.003	
030	15521-96030	STOPFEN	PLUG	2			0.007	
040	17391-96160	STOPFEN	PLUG EXPANSION	3			0.003	
050	16271-96160	STOPFEN	PLUG EXPANSION	1			0.025	
060	15221-03380	STOPFEN	CAP SEALING	5			0.017	
070	15221-03390	STOPFEN	CAP SEALING	2			0.030	
080	05012-00408	ZYLINDERSTIFT	PIN STRAIGHT	2			0.001	
090	05012-00609	ZYLINDERSTIFT	PIN STRAIGHT	3			0.003	
100	05012-00612	ZYLINDERSTIFT	PIN STRAIGHT	2			0.003	
110	05012-01018	ZYLINDERSTIFT	PIN STRAIGHT	1			0.012	
120	15221-33650	ROHRSTIFT	PIN PIPE	1			0.004	
130	15321-73340	WASSERROHR	PIPE WATER RETURN	1			0.016	
140	15221-33610	STOPFEN	PLUG	1			0.009	
140	15469-33610	STOPFEN	PLUG	1	=		0.008	
150	15021-33660	DICHTUNGSPLATTE	GASKET	1			0.001	
160	16427-33140	OELEINFUELLSSTOPFEN	PLUG OIL FILLER	1		<=5C0803	0.025	
160	16427-33142	OELEINFUELLSSTOPFEN	PLUG OIL FILLER	1	>>	=>5E0001	0.025	
170	1A021-33110	FLANSCH	FLANGE OIL FILLER	1			0.070	
180	1A021-51660	DICHTUNGSPLATTE	GASKET PUMP COVER	1			0.003	

Update Date : 18-01-2019 Print Date : 05-03-2022

No.	Part Number	Part Name (POL)	Part Name (ENG)	QTY	IC	Serial No./PIN	Kg	Remarks
190	01023-50618	BOLZEN	BOLT	1			0.006	
200	15471-35012	GRP.OELPUMPE	ASSY PUMP OIL	1		<=4L0509	0.550	
200	15471-35013	GRP.OELPUMPE	ASSY PUMP OIL	1	>>	=>4N0001	0.550	
210	1A021-35150	DICHTUNGSPLATTE	GASKET OIL PUMP	1			0.001	
220	01023-60650	BOLZEN	BOLT	4			0.015	
230	19202-35660	ZAHNRAD	GEAR OIL PUMP DRIVE	1			0.230	
240	05712-00410	KEIL	KEY FEATHER	1			0.001	
250	15221-35682	MUTTER	NUT FLANGE	1			0.014	
260	1A021-57483	TRAEGER	BRACKET ACCEL.CABLE	1			0.125	
270	01023-50622	BOLZEN	BOLT	3			0.005	

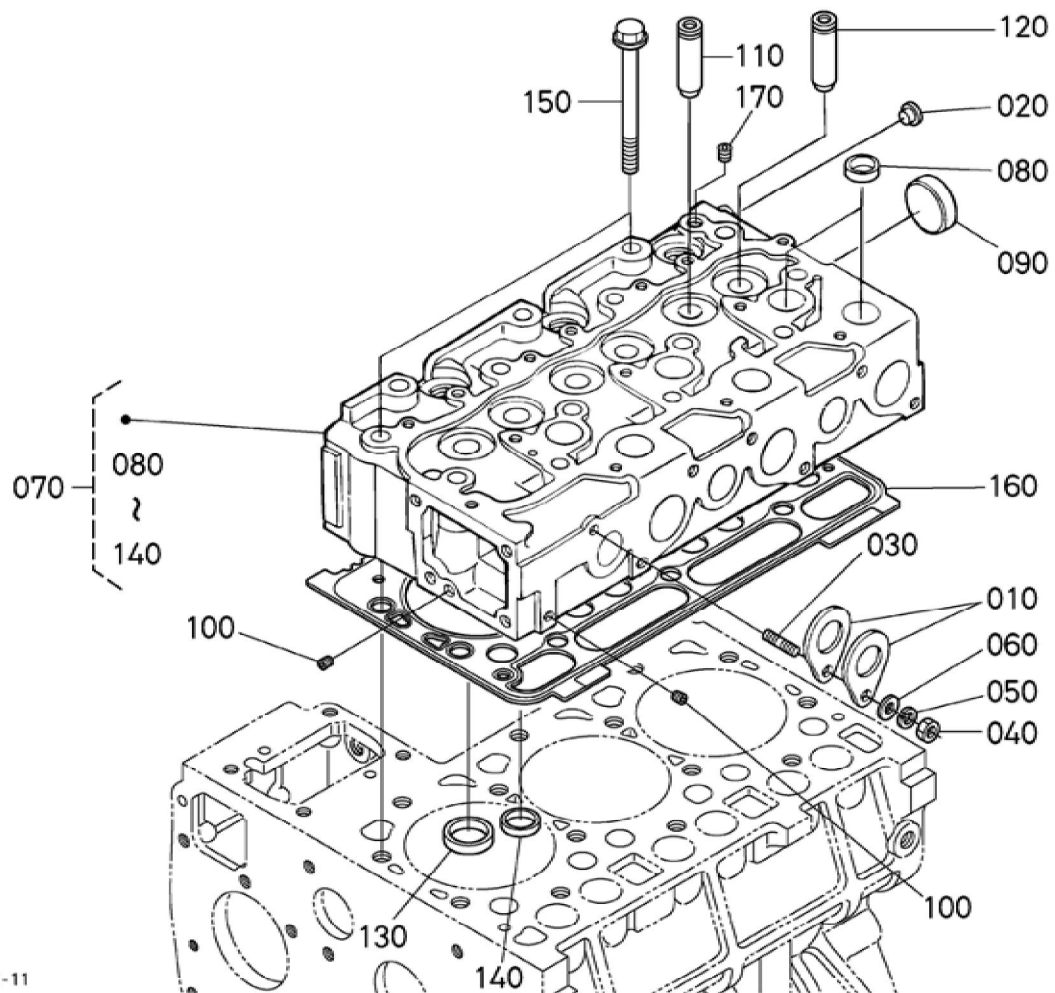


BKIDK0534 >> L3830DT-C >> MOTOR / ENGINE >> 000202 OL-FANGER / OIL PAN

Update Date : 18-01-2019 Print Date : 05-03-2022

No.	Part Number	Part Name (POL)	Part Name (ENG)	QTY	IC	Serial No./PIN	Kg	Remarks
010	1G842-01610	OELWANNE	OIL PAN	1		<=4J0429	3.650	
010	1G842-01613	OELWANNE	OIL PAN	1	>>	=>4L0001	3.650	
020	1A021-01620	DICHTUNG	GASKET OIL PAN	1			0.014	
030	01133-51002	BOLZEN	BOLT	16		<=4J0429	0.070	
030	01133-51002	BOLZEN	BOLT	14		=>4L0001	0.070	
030	1G805-91010	BOLZEN	BOLT	14	>>	=>5S0001	0.067	
040	01133-51028	BOLZEN	BOLT	4		<=4J0429	0.027	
040	01133-51028	BOLZEN	BOLT	6		=>4L0001	0.027	
040	1A091-91010	BOLZEN	BOLT	6	>>	=>5S0001	0.025	
050	16427-33750	ENTLEERUNG GSSTOPFEN	PLUG DRAIN	2			0.030	
060	6C090-58960	DICHTUNGSP LATTE	GASKET	2			0.005	
070	1A024-32110	OELFILTER	FILTER OIL	1			0.220	
080	01123-60814	BOLZEN	BOLT	1			0.010	
080	01754-50812	SCHRAUBE	BOLT FLANGE	1	=		0.010	
090	04817-00160	O RING	O RING	1			0.001	
100	16414-33640	STOPFEN, OELMESSST AB	PLUG OIL GAUGE	1			0.003	
100	1G513-36550	STOPFEN, OELMESSST AB	PLUG OIL GAUGE	1	=		0.004	
110	T1060-16602	OELMESSST AB	GAUGE OIL	1			0.015	
120	TD060-16612	FUEHRUNG, OELMESSST AB	GUIDE OIL GAUGE	1		<=5E0837	0.075	
120	TD060-16614	FUEHRUNG, OELMESSST AB	GUIDE OIL GAUGE	1	>>	=>5G0001	0.075	
130	01754-50816	SCHRAUBE	BOLT FLANGE	1			0.011	

Update Date : 18-01-2019 Print Date : 05-03-2022



BKIDK0534 >> L3830DT-C >> MOTOR / ENGINE >> 000302 ZYLINDERKOPF / CYLINDER HEAD

Update Date : 18-01-2019 Print Date : 05-03-2022

No.	Part Number	Part Name (POL)	Part Name (ENG)	QTY	IC	Serial No./PIN	Kg	Remarks
010	15221-01750	MOTORHAKE N	HOOK ENGINE	2			0.040	
020	09980-10075	KAPPE	CAP PROTECTOR	1			0.001	
030	15471-91530	STEBOLZEN	STUD	1			0.010	
040	02156-50080	MUTTER	NUT	1			0.004	
050	04512-60080	FEDERRING	WASHER SPRING	1			0.002	
060	04012-50080	SCHEIBE	WASHER PLAIN	1			0.001	
070	1G841-03042	KOMP.ZYLIN DERKOPF	COMP.CYLIN DER HEAD	1		<=4L0509	20.000	
070	1G841-03043	KOMP.ZYLIN DERKOPF	COMP.CYLIN DER HEAD	1	>>	=>4N0001	15.000	
080	15221-03370	STOPFEN	CAP SEALING	9			0.010	
090	15221-03490	STOPFEN	CAP SEALING	1			0.020	
100	15261-96010	STOPFEN	PLUG	2			0.002	
110	17321-13580	EINLASSVEN TILFUEHRUN G	GUIDE INLET VALVE	3			0.015	
120	17321-13560	AUSLASSVEN TILFUEHRUN G	GUIDE EXHAUST VALVE	3			0.020	
120	1C010-13560	AUSLASSVEN TILFUEHRUN G	GUIDE VALVE EXHAUST	3	=		0.025	
130	16415-13620	VENTILSITZ, EINLASSVEN TIL	SEAT INLET VALVE	3			0.010	
140	16415-13612	VENTILSITZ, AUSLASSVEN TIL	SEAT EXHAUST VALVE	3			0.010	
150	19013-03450	ZYLINDERKO PFSCHRAUB E	BOLT CYLINDER HEAD	14			0.077	
160	1G750-03310	ZYLINDERKO PFDICHTUNG	GASKET CYLINDER HEAD	1		<=4J0429	0.220	
160	1G750-03312	ZYLINDERKO PFDICHTUNG	GASKET CYLINDER HEAD	1	>>	=>4L0001	0.220	
170	15841-96020	STOPFEN	PLUG	1			0.020	



Download the full PDF manual instantly.

Our customer service e-mail:

aservicemanualpdf@yahoo.com