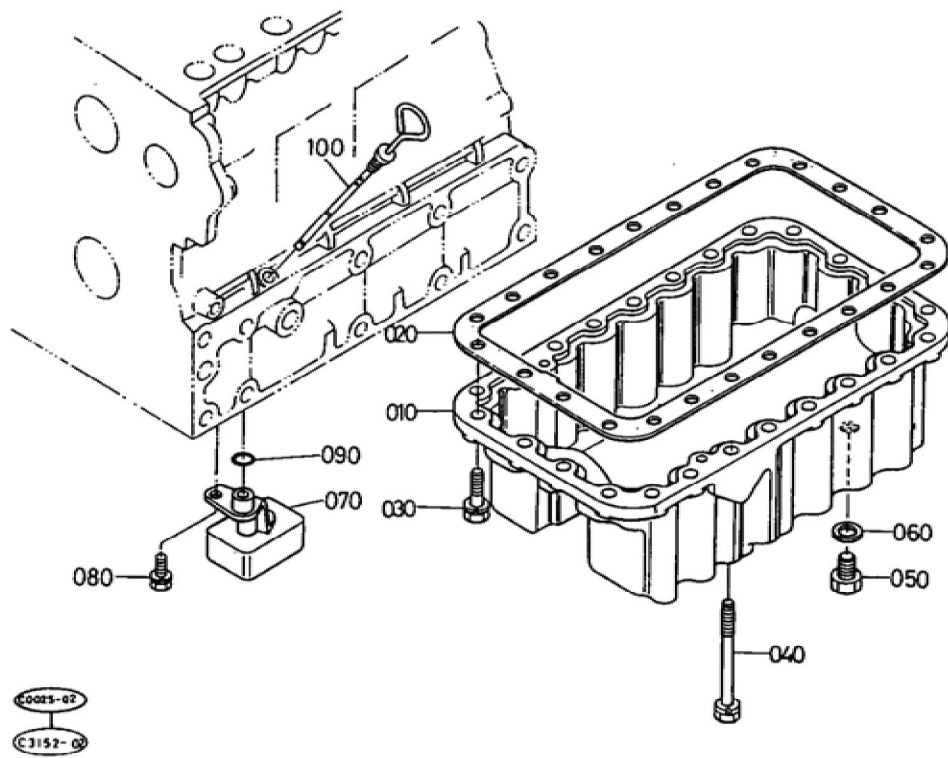


BKIDK0104 >> L3250DT >> ENGINE / ENGINE >> T00100 KURBELGEHAEUSE / CRANKCASE

Update Date : 09-06-2017 Print Date : 03-03-2022

No.	Part Number	Part Name (POL)	Part Name (ENG)	QTY	IC	Serial No./PIN	Kg	Remarks
010	17362-01010	KOMP.KURBELGEHAEUSE	COMP.CRANKCASE	1			54.500	
020	15521-96020	STOPFEN	PLUG	6			0.003	
030	15521-96030	STOPFEN	PLUG	2			0.007	
040	17391-96160	STOPFEN	PLUG	3			0.003	
050	06311-75045	STOPFEN	PLUG	1			0.026	
060	15221-03380	STOPFEN	CAP SEALING	6			0.017	
070	15221-03390	STOPFEN	CAP SEALING	2			0.030	
080	05012-00408	ZYLINDERSTIFT	PIN STRAIGHT	2			0.001	
090	05012-00609	ZYLINDERSTIFT	PIN STRAIGHT	2			0.003	
100	05012-00612	ZYLINDERSTIFT	PIN STRAIGHT	2			0.003	
110	05012-01018	ZYLINDERSTIFT	PIN STRAIGHT	1			0.012	
120	15221-33650	ROHRSTIFT	PIN PIPE	1			0.004	
130	15321-73340	WASSERROHR	PIPE WATER RETURN	1			0.016	
150	15221-33610	STOPFEN	PLUG	1			0.009	
160	15021-33660	DICHTUNGSPLATTE	GASKET	1			0.001	
170	15221-33700	O RING	O RING	1			0.001	
180	15471-35010	GRP.OELPUMPE	ASSY PUMP OIL	1			0.000	
190	15221-35150	DICHTUNG,OELPUMPE	GASKET OIL PUMP	1			0.000	
200	01053-50650	BOLZEN	BOLT	4			0.011	
210	04512-50060	FEDERRING	WASHER SPRING	4			0.001	
220	19202-35660	ZAHNRAD	GEAR OIL PUMP DRIVE	1			0.230	
230	05712-00410	KEIL	KEY FEATHER	1			0.001	
240	15221-35682	MUTTER	NUT FLANGE	1			0.014	
250	15531-39010	OELDRUCKSCHALTER	SWITCH OIL	1			0.032	

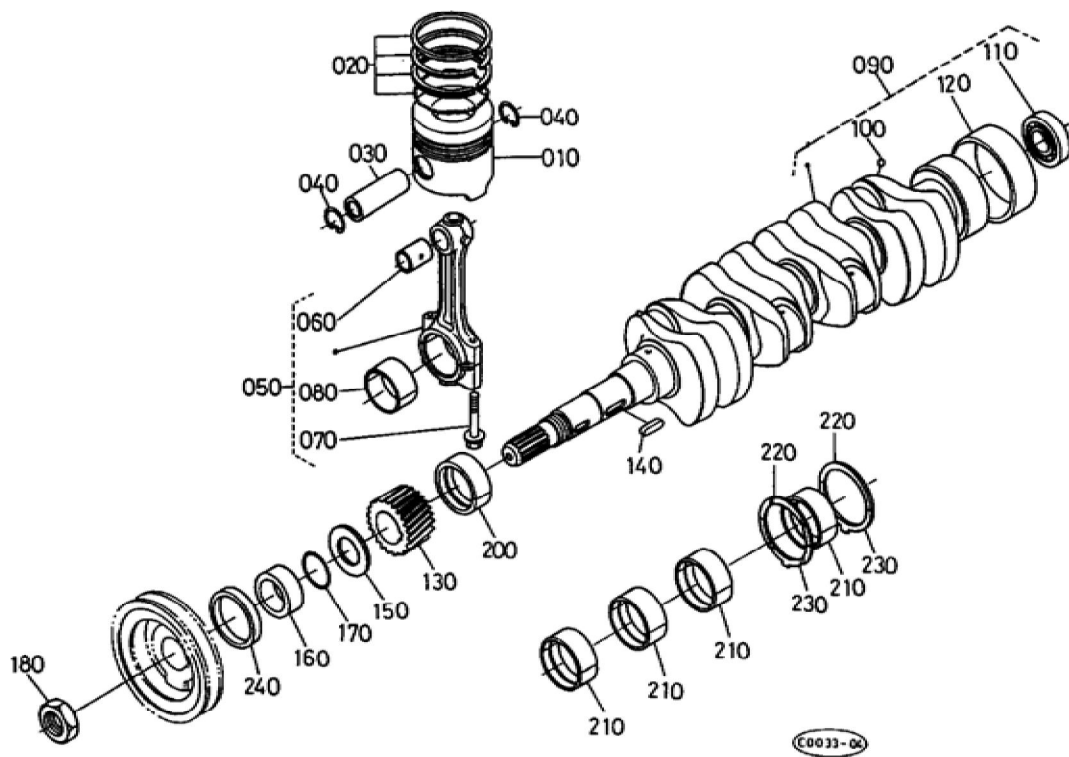


BKIDK0104 >> L3250DT >> ENGINE / ENGINE >> T00200 OELWANNE / OIL PAN

Update Date : 09-06-2017 Print Date : 03-03-2022

No.	Part Number	Part Name (POL)	Part Name (ENG)	QTY	IC	Serial No./PIN	Kg	Remarks
010	17341-01610	OELWANNE	OIL PAN	1			4.100	
020	15401-01620	DICHTUNG	GASKET OIL PAN	1			0.000	
030	01133-51028	BOLZEN	BOLT	22			0.027	
040	17377-91010	BOLZEN	BOLT	2			0.080	
050	15261-33750	STOPFEN	PLUG	2			0.034	
060	15109-33660	DICHTUNGSP LATTE	GASKET	2			0.001	
070	15411-32110	OELFILTER	FILTER OIL	1			0.240	
080	01123-50814	BOLZEN	BOLT	1			0.010	
090	04811-00160	O RING	O RING	1			0.001	
100	17325-36410	OELMESSST AB	GAUGE OIL	1			0.030	

Update Date : 09-06-2017 Print Date : 03-03-2022



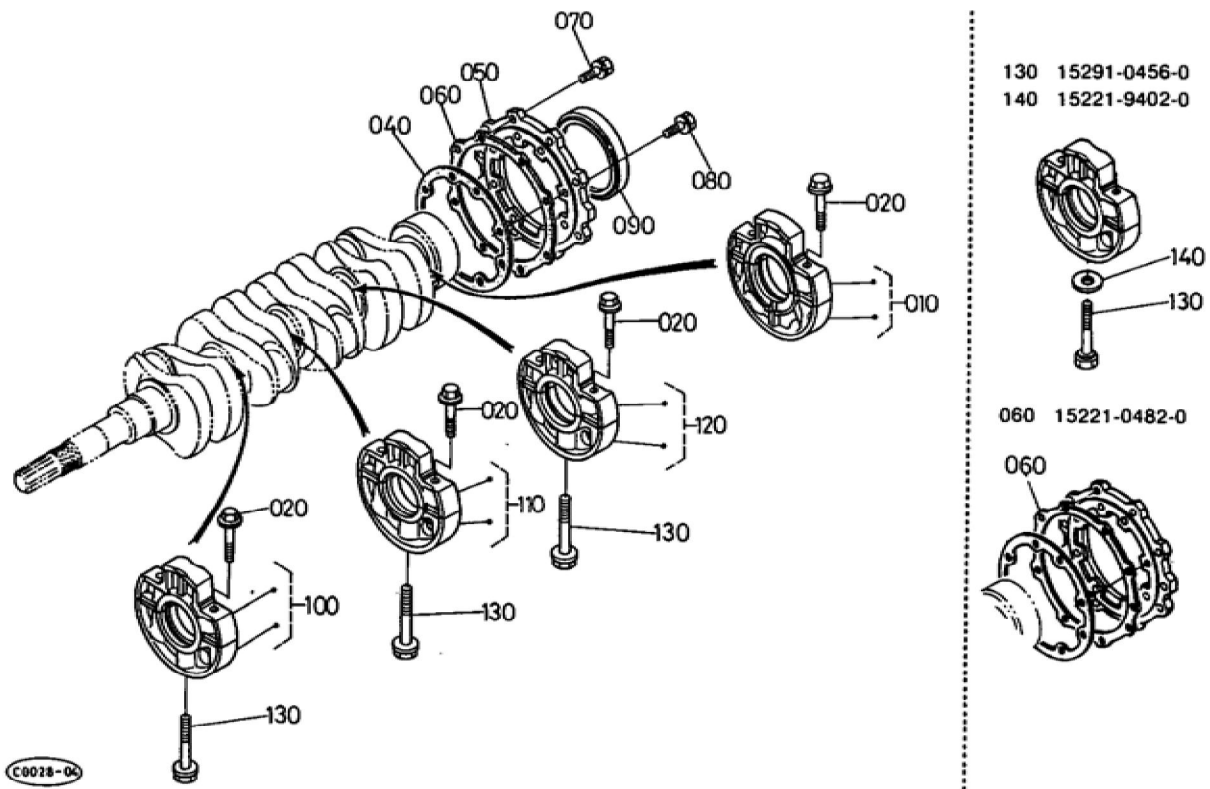
Update Date : 09-06-2017 Print Date : 03-03-2022

No.	Part Number	Part Name (POL)	Part Name (ENG)	QTY	IC	Serial No./PIN	Kg	Remarks
010	17365-21120	KOLBEN	PISTON	4			0.555	STD
010	17365-21920	KOLBEN	PISTON	4			0.530	+0.50MM
020	15521-21050	GRP.KOLBEN RING	ASSY PISTON RING	4			0.060	STD
020	15521-21092	GRP.KOLBEN RING	ASSY PISTON RING	4			0.055	+0.50MM
030	14901-21310	KOLBENBOLZEN	PIN PISTON	4			0.170	
040	14109-21330	SPRENGRING	CLIP PISTON PIN	8			0.001	
050	17311-22010	PLEUELSTANGE KOMP.	ASSY CONNECTING ROD	4			0.885	
060	17331-21980	BUCHSE,KOLBENSTIFT	BUSH PISTON PIN	4			0.025	
070	15521-22142	BOLZEN	BOLT CONNECTING ROD	8			0.026	
080	17311-22310	LAGERSCHALE	METAL CRANKPIN	4			0.045	STD
080	17331-22970	LAGERSCHALE	METAL CRANKPIN	4			0.050	-0.20MM
080	17331-22980	LAGERSCHALE	METAL CRANKPIN	4			0.045	-0.40MM
090	17355-23010	KOMP.KURBELWELLE	COMP.CRANKSHAFT	1			17.200	
100	07715-03209	KUGEL	BALL	4			0.002	
110	08121-06002	KUGELLAGER	BEARING BALL	1			0.030	
120	19202-23280	BUCHSE,KURBELWELLE	SLEEVE CRANKSHAFT	1			0.090	
130	15471-24110	ZAHNRAD	GEAR CRANKSHAFT	1			0.375	
140	05712-00720	KEIL	KEY FEATHER	1			0.008	
150	15471-23312	RING	SLINGER OIL	1			0.008	
160	19202-23250	HALSRING	COLLAR CRANKSHAFT	1			0.080	
170	04811-10300	O RING	O RING	1			0.001	

Update Date : 09-06-2017 Print Date : 03-03-2022

No.	Part Number	Part Name (POL)	Part Name (ENG)	QTY	IC	Serial No./PIN	Kg	Remarks
180	15221-23360	MUTTER,KURBELWELLE	NUT CRANKSHAF T	1			0.110	
200	17311-23470	LAGERSCHA LE	METAL CRANKSHAF T	1			0.060	STD
200	17331-23910	LAGERSCHA LE	METAL CRANKSHAF T	1			0.000	-0.20MM
200	17331-23920	LAGERSCHA LE	METAL CRANKSHAF T	1			0.000	-0.40MM
210	17311-23480	LAGERSCHA LE	METAL CRANKSHAF T	4			0.045	STD
210	17331-23930	LAGERSCHA LE	METAL CRANKSHAF T	4			0.000	-0.20MM
210	17331-23940	LAGERSCHA LE	METAL CRANKSHAF T	4			0.000	-0.40MM
220	15521-23530	LAGERSCHA LE	METAL SIDE	2			0.010	STD
220	15221-23950	LAGERSCHA LE	METAL SIDE	2			0.009	+0.20MM
220	15221-23960	LAGERSCHA LE	METAL SIDE	2			0.009	+0.40MM
230	19202-23540	LAGERSCHA LE	METAL SIDE	2			0.010	STD
230	19202-23970	LAGERSCHA LE	METAL SIDE	2			0.010	+0.20MM
230	19202-23980	LAGERSCHA LE	METAL SIDE	2			0.010	+0.40MM
240	09550-00001	OELDICHTUN GSRING	SEAL OIL	1			0.015	

Update Date : 09-06-2017 Print Date : 03-03-2022

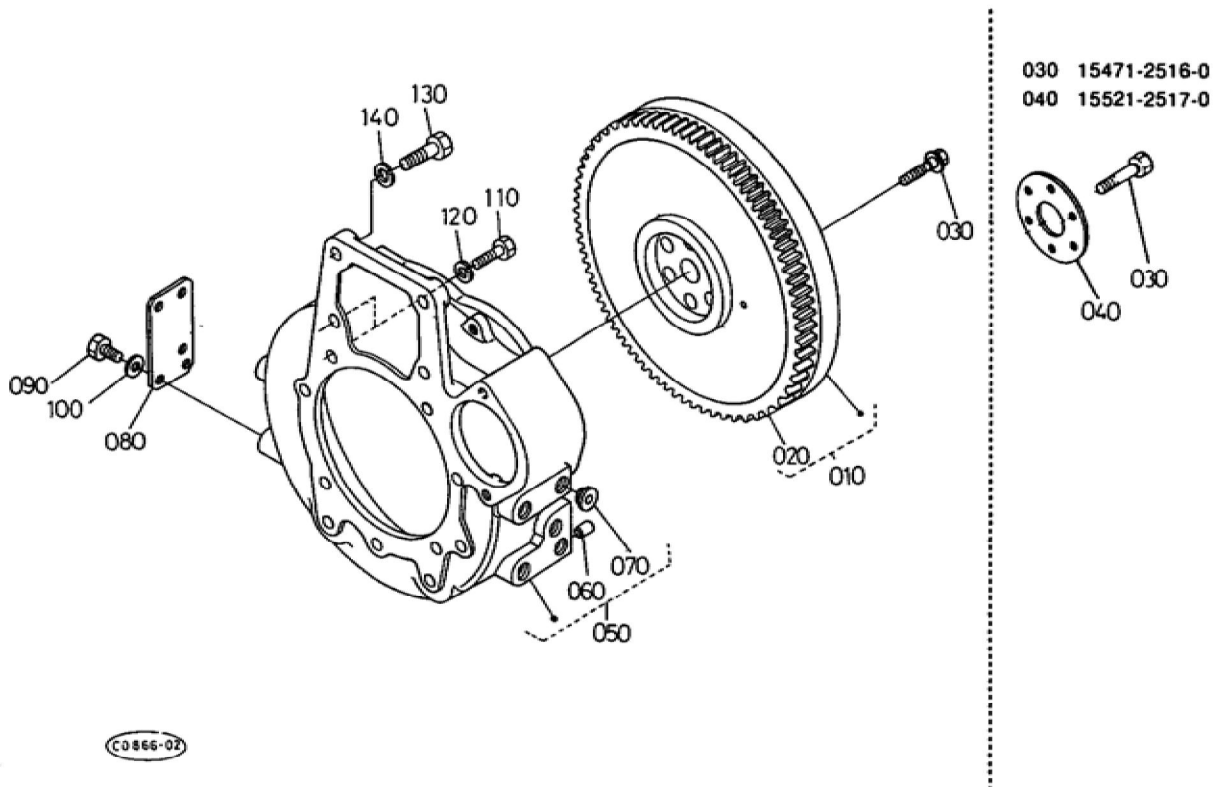


BKIDK0104 >> L3250DT >> ENGINE / ENGINE >> T00400 HAUPTLAGER / MAIN BEARING CASE

Update Date : 09-06-2017 Print Date : 03-03-2022

No.	Part Number	Part Name (POL)	Part Name (ENG)	QTY	IC	Serial No./PIN	Kg	Remarks
010	19202-04040	GRP.LAGERG EHAEUSE	ASSY CASE MAIN BRG.	1			1.280	
020	15601-04540	BOLZEN, LAGERKASTE N	BOLT BEARING CASE	8			0.034	
040	15221-04360	DICHTUNG, LAGER	GASKET	1			0.000	
050	19202-04810	DECKEL, LAGERKASTE N	COVER BEARING CASE	1			0.360	
060	15201-04820	DICHTUNG	GASKET BRG.CASE COV.	1			0.000	
070	01123-50825	BOLZEN	BOLT	8			0.013	
080	01123-50828	BOLZEN	BOLT	8			0.014	
090	19202-04460	OELDICHTUN GSRING	SEAL OIL	1			0.055	
100	17331-04050	GRP.LAGERG EHAEUSE	ASSY CASE BEARING	1			1.240	
110	17331-04060	GRP.LAGERG EHAEUSE	ASSY CASE BEARING	1			1.270	
120	17345-04073	GRP.LAGERG EHAEUSE	ASSY CASE BEARING	1			1.270	
130	15601-04560	BOLZEN, LAGERKASTE N	BOLT BEARING CASE	3			0.060	

Update Date : 09-06-2017 Print Date : 03-03-2022





Download the full PDF manual instantly.

Our customer service e-mail:

aservicemanualpdf@yahoo.com