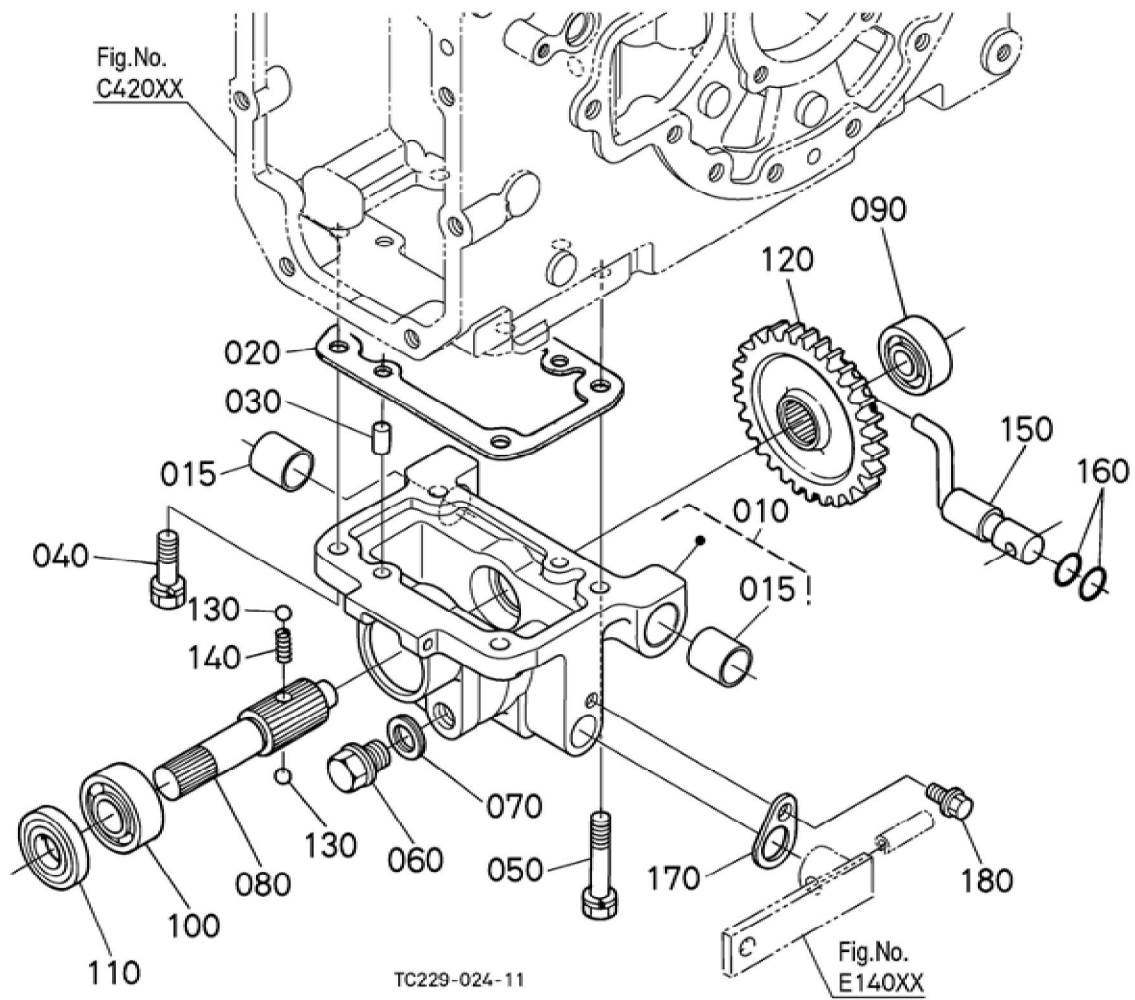


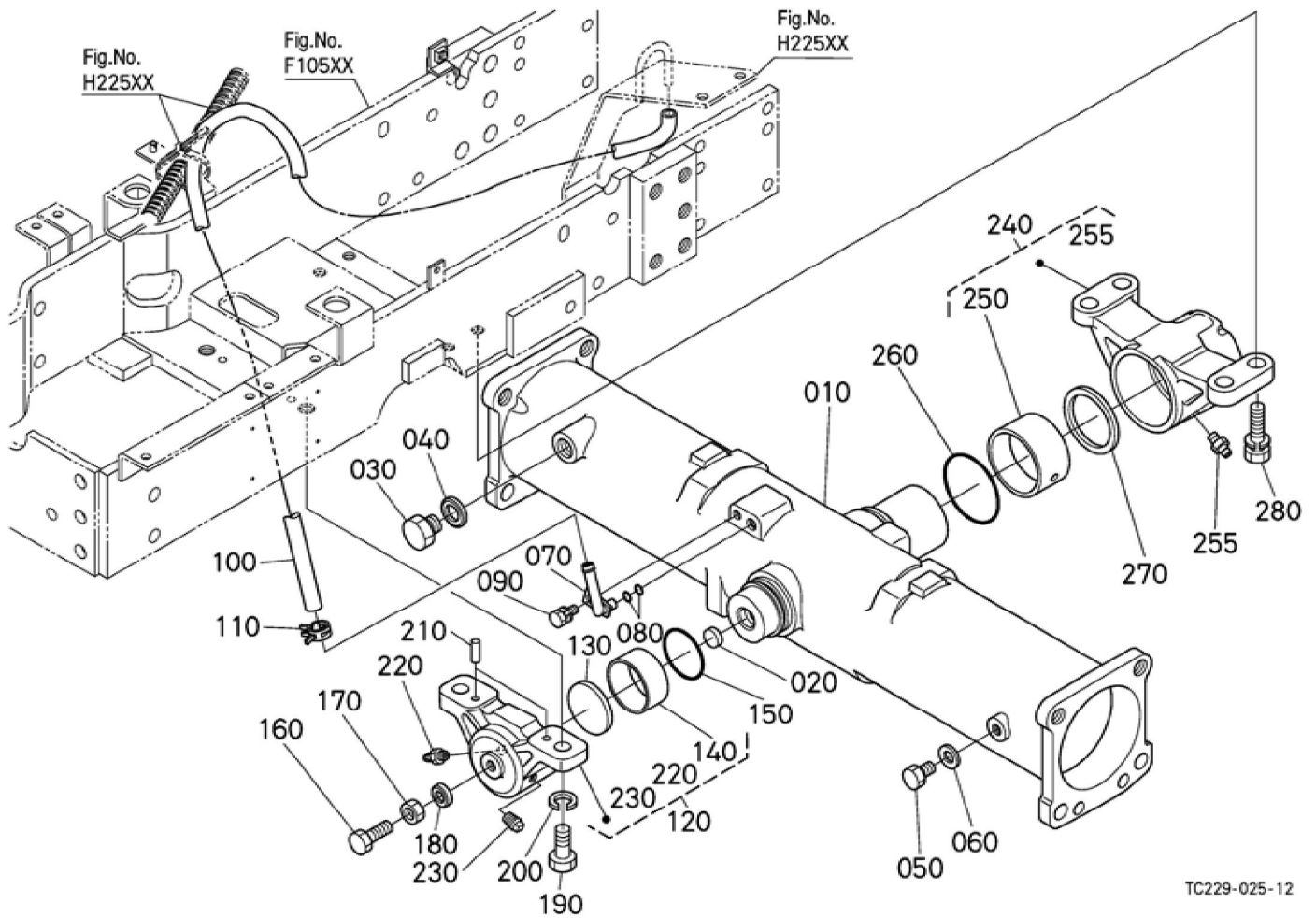
Update Date : 27-04-2020 Print Date : 10-03-2022



Update Date : 27-04-2020 Print Date : 10-03-2022

No.	Part Number	Part Name (POL)	Part Name (ENG)	QTY	IC	Serial No./PIN	Kg	Remarks
010	TC229-44200	GRP.GEHAEU SE	ASSY CASE	1			0.935	
015	08511-02225	BUCHSE	BUSH	2			0.020	
020	32425-21280	DICHTUNGSP LATTE	GASKET	1			0.010	
030	05012-01018	ZYLINDERSTI FT	PIN,STRAIGH T	2			0.012	
040	01133-51235	BOLZEN	BOLT,SEMS	2			0.043	
050	01133-51260	BOLZEN	BOLT,SEMS	2			0.060	
060	15512-96010	ENTLEERUN GSSTOPFEN	PLUG	1			0.101	
070	04717-02150	GUMMIUNTE RLAGE	SPRING SEAT	1			0.004	
080	31353-44220	WELLE	SHAFT	1		<=52361	0.375	
080	TC402-44220	WELLE	SHAFT,FRON T DRIVE	1	>>	>=52362	0.000	
080	TC402-44222	WELLE	SHAFT,DT DRIVE	1	>>	>=52667	0.400	
090	08101-06203	KUGELLAGE R	BEARING,BAL L	1			0.063	
100	08101-06204	KUGELLAGE R	BEARING,BAL L	1			0.102	
110	09502-04710	OELDICHTUN GSRING	SEAL,OIL	1			0.022	
120	31343-44230	ZAHNRAD	GEAR,SHIFT	1			0.565	33T
130	07715-01605	KUGEL	BALL	2			0.003	
140	31353-44250	FEDER	SPRING	1			0.015	
150	31353-44310	SCHALTHEBE L	LEVER,SHIFT	1			0.160	
160	04816-00150	O RING	O RING	2			0.003	
170	31353-44330	KLEMMRING	STOPPER,LE VER	1			0.010	
180	01754-50816	SCHRAUBE	BOLT,FLANG E	1			0.011	

Update Date : 27-04-2020 Print Date : 10-03-2022



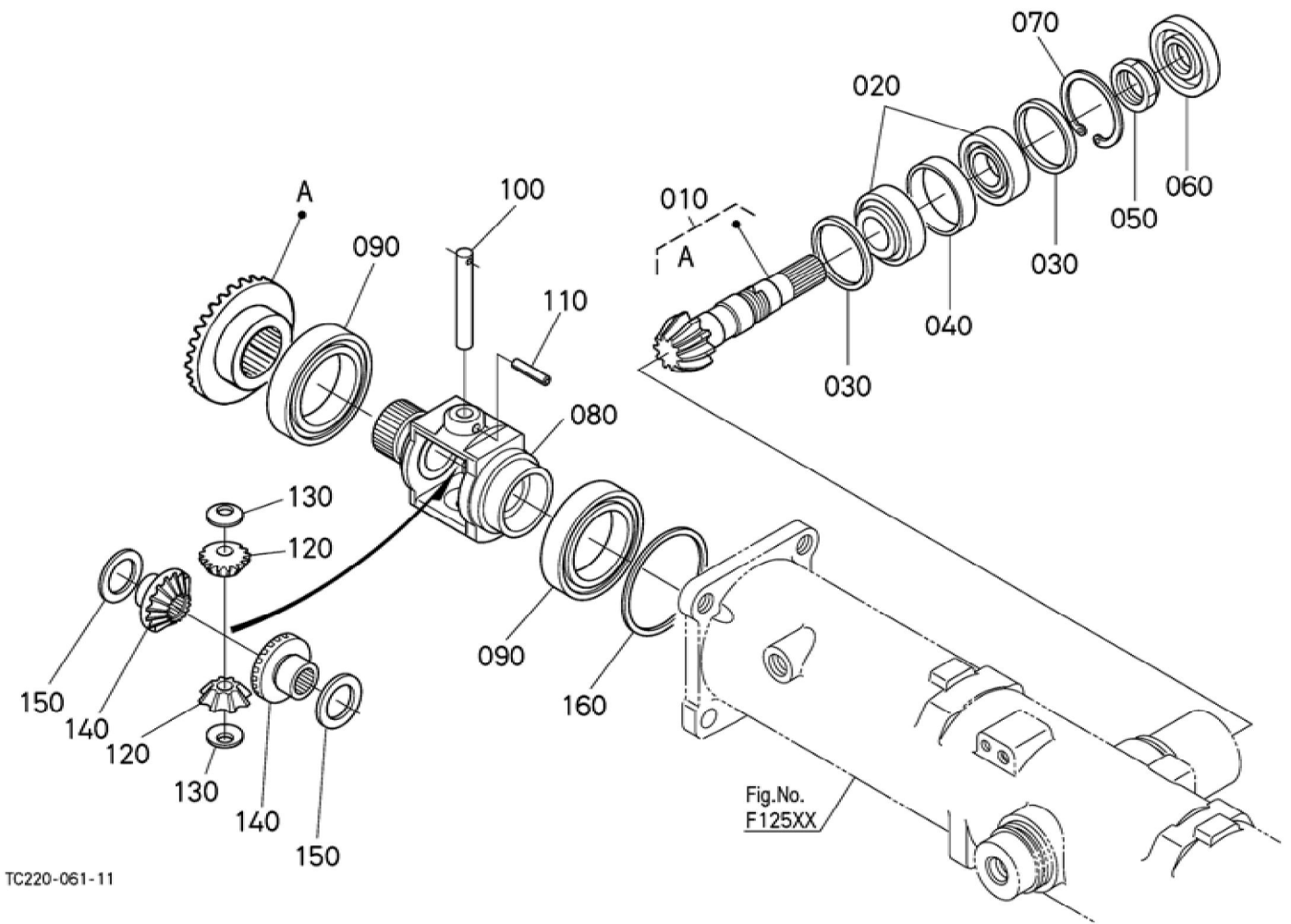
Update Date : 27-04-2020 Print Date : 10-03-2022

No.	Part Number	Part Name (POL)	Part Name (ENG)	QTY	IC	Serial No./PIN	Kg	Remarks
010	TA020-12003	GEHAEUSE,VORDERACHSE	CASE,FRONT AXLE	1			19.600	
020	31321-38720	STOPFEN	COVER,BLIND	1			0.003	
030	06331-35020	STOPFEN	PLUG	1			0.068	
040	04717-02000	GUMMIUNTERLAGE	WASHER,SEAL	1			0.004	
050	06331-45010	STOPFEN	PLUG	1		<=52478	0.020	
050	06331-35010	STOPFEN	PLUG	1	>>	>=52479	0.012	
060	04717-01000	GUMMIUNTERLAGE	WASHER,SEAL	1		<=52478	0.001	
060	15471-96650	DICHTUNGSPATTE	PACKING	1	>>	>=52479	0.002	
070	TA040-12910	ENTLUEFTUNGSROHR	PIPE,BREATH ER	1			0.017	
080	04816-00080	O RING	O RING	2			0.002	
090	01123-50814	BOLZEN	BOLT,SEMS	1			0.010	
100	09663-80725	KRAFTSTOFFROHR	TUBE,FUEL	1			0.080	
110	09318-88115	SCHLAUCHBINDER	CLAMP,HOSE	1			0.002	
120	TA140-13553	VORDERACHSKONSOLE	HOLDER,ASSY(FRONT)	1			1.485	
130	37410-56180	DRUCKRING	COLLAR,THRUST	1			0.060	
140	08511-05020	BUCHSE	BUSH	1			0.060	
150	04816-00490	O RING	O RING	1			0.005	
160	01173-51030	BOLZEN	HEX.BOLT	1			0.023	
170	02118-50100	MUTTER	HEX.NUT	1			0.005	
180	31351-16250	ZWISCHENRING	WASHER,SEAL	1			0.001	
190	TA040-13570	BOLZEN	BOLT	2			0.080	
200	04512-50160	FEDERRING	WASHER,SPRING LOCK	2			0.010	
210	05012-00818	ZYLINDERSTIFT	PIN,STRAIGHT	2			0.008	
220	06613-10010	SCHMIERNIPPEL	NIPPLE,GREASE	1			0.006	

Update Date : 27-04-2020 Print Date : 10-03-2022

No.	Part Number	Part Name (POL)	Part Name (ENG)	QTY	IC	Serial No./PIN	Kg	Remarks
230	06312-10010	STOPFEN	PLUG	1			0.007	
240	TC220-13602	ACHSKONSOLE	ASSY HOLDER, REAR	1			2.200	
250	TA140-13640	BUCHSE	BUSH	1			0.090	
255	06613-10010	SCHMIERNIPPEL	NIPPLE, GREASE	1			0.006	
260	04811-50700	O RING	RING	1			0.002	
270	34070-13620	DRUCKRING	COLLAR, THRU	1			0.030	
280	01133-51230	BOLZEN	BOLT, SEMS	4			0.040	

Update Date : 27-04-2020 Print Date : 10-03-2022



TC220-061-11

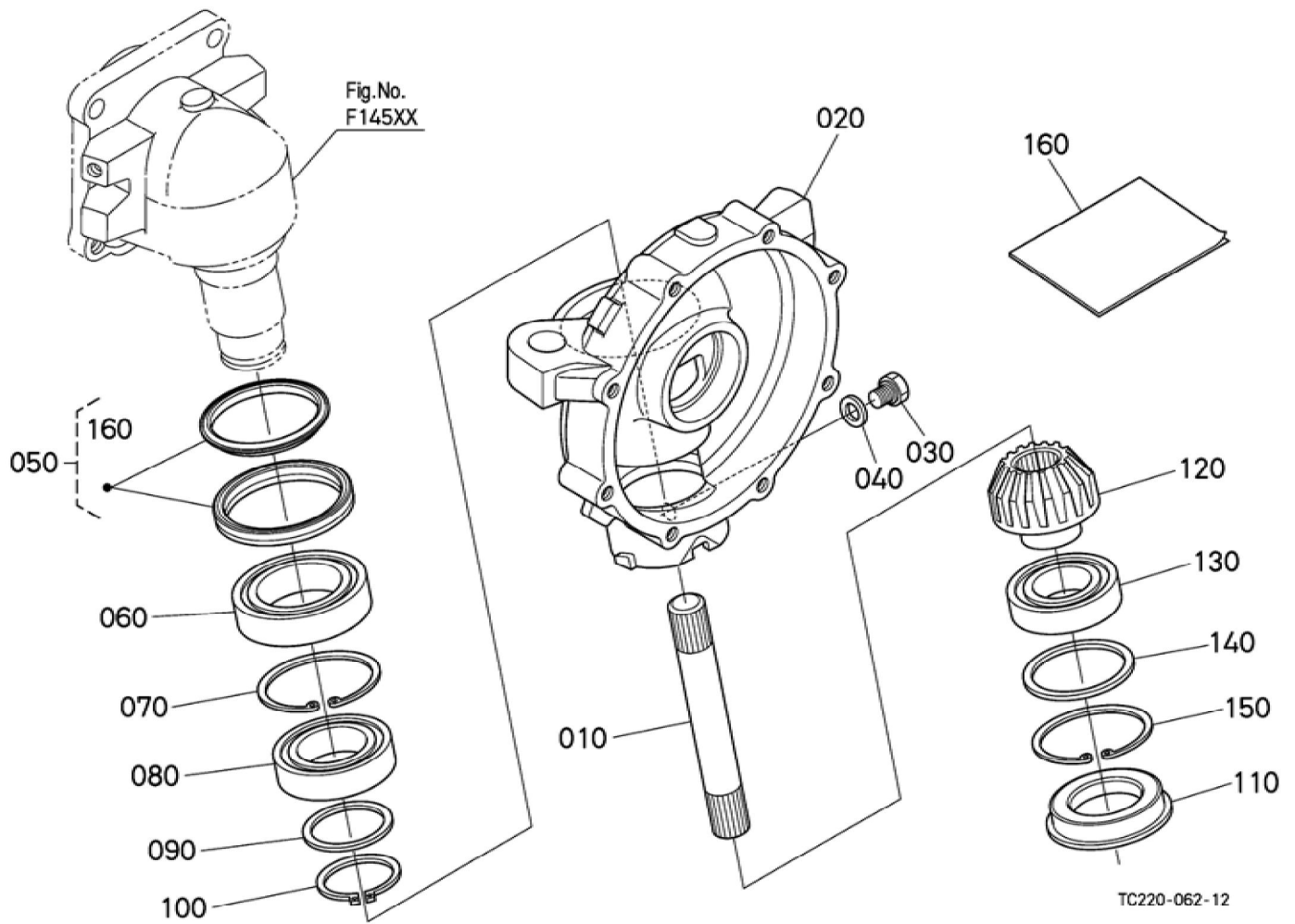
Update Date : 27-04-2020 Print Date : 10-03-2022

No.	Part Number	Part Name (POL)	Part Name (ENG)	QTY	IC	Serial No./PIN	Kg	Remarks
010	TA020-12013	GRP.KEGELRAD	GEAR,BEVEL, ASSY	1			1.950	9-23Z
020	34070-12200	KEGELROLLE NLAGER	BEARING,TAPER-ROLLER	2			0.305	
030	34070-12060	HUELSE	COLLAR	2			0.015	5.8mm
030	34070-12070	HUELSE	COLLAR	2			0.015	5.9mm
030	34070-12080	HUELSE	COLLAR	2			0.015	6.0mm
030	34070-12090	HUELSE	COLLAR	2			0.015	6.1mm
030	34070-12100	HUELSE	COLLAR	2			0.020	6.2mm
040	34070-12130	HUELSE	COLLAR	1			0.030	9.8mm
040	34070-12140	HUELSE	COLLAR	1			0.020	9.9mm
040	3A221-43100	HUELSE	COLLAR	1			0.025	10.mm
040	34070-12160	HUELSE	COLLAR	1			0.030	10.1mm
040	34070-12170	HUELSE	COLLAR	1			0.030	10.2mm
050	37410-56710	MUTTER	NUT	1			0.030	
060	34070-12220	OELDICHTUNGSRING	SEAL,OIL	1			0.030	
070	04611-00580	SPRENGRING	CIR-CLIP,INTERNAL	1			0.005	
080	TC220-12250	DIFFERENTIALGEHAEUSE	CASE,DIFFERENTIAL	1			1.630	
090	08101-06212	KUGELLAGER	BEARING,BALL	2			0.780	
100	31353-43333	RITZELWELLE	SHAFT,PINION	1			0.130	
110	05411-00630	STIFT	PIN,SPRING	1			0.004	
120	31353-43343	ZAHNRAD	GEAR (PINION)	2			0.100	12Z
130	67121-56670	HUELSE	COLLAR,PINION THRUST	2			0.006	
140	31353-43353	ZAHNRAD	GEAR,DIFF.SIDE	2			0.190	24Z
150	67211-15160	BEILAGE	SHIM	2			0.010	1.0mm
150	67211-15170	BEILAGE	SHIM	2			0.008	0.8mm
150	67211-15180	BEILAGE	SHIM	2			0.010	1.2mm
150	31353-43360	BEILAGE	SHIM	2			0.005	0.6mm
150	31353-43370	BEILAGE	SHIM	2			0.010	0.4mm

Update Date : 27-04-2020 Print Date : 10-03-2022

No.	Part Number	Part Name (POL)	Part Name (ENG)	QTY	IC	Serial No./PIN	Kg	Remarks
160	34070-12300	BEILAGE	SHIM	1			0.020	1.6mm
160	34070-12310	BEILAGE	SHIM	1			0.030	1.8mm
160	34070-12320	BEILAGE	SHIM	1			0.030	2.00mm
160	34070-12330	BEILAGE	SHIM	1			0.030	2.20mm
160	34070-12340	BEILAGE	SHIM	1			0.035	2.4mm

Update Date : 27-04-2020 Print Date : 10-03-2022



Update Date : 27-04-2020 Print Date : 10-03-2022

No.	Part Number	Part Name (POL)	Part Name (ENG)	QTY	IC	Serial No./PIN	Kg	Remarks
010	34070-12720	KEGELRADWELLE	SHAFT,BEVEL GEAR	1			0.630	
020	TC220-13020	GEHAFUSELS	CASE,FRONT GEAR LH	1			6.400	
030	06331-45010	STOPFEN	PLUG	1		<=52478	0.020	
030	06331-35010	STOPFEN	PLUG	1	>>	>=52479	0.012	
040	04717-01000	GUMMIUNTERLAGE	WASHER,SEAL	1		<=52478	0.001	
040	15471-96650	DICHTUNGSPLATTE	PACKING	1	>>	>=52479	0.002	
050	TC010-99600	DICHTSATZ	ASSY SEAL,OIL	1			0.141	
060	TD060-12820	KUGELLAGER	BEARING,BALL	1		<=53858	0.405	
060	08101-06012	KUGELLAGER	BEARING,BALL	1	>>	>=53859	0.410	
070	04611-00800	SPRENGRING	CIR-CLIP,INTERNAL	1			0.020	
080	TD030-12820	KUGELLAGER	BEARING,BALL	1		<=53363	0.265	
080	08101-06010	KUGELLAGER	BEARING,BALL	1	>>	>=53364	0.262	
090	TA140-12080	BEILAGE	SHIM	1			0.007	0.8mm
090	TA140-12100	BEILAGE	SHIM	1			0.008	1.0mm
090	TA140-12120	BEILAGE	SHIM	1			0.010	1.2mm
090	TA140-12140	BEILAGE	SHIM	1			0.011	1.4mm
090	TA140-12160	BEILAGE	SHIM	1			0.013	1.6mm
100	04612-00500	SPRENGRING,AUSSEN	CIR-CLIP,EXTERNAL	1			0.008	
110	34070-13100	STOPFEN	PLUG	1			0.060	
120	TD030-13200	ANTRIEBSKEGELRAD	GEAR,BEVEL	1			0.475	11T
130	T2050-23460	KUGELLAGER	BEARING,BALL	1		<=53297	0.280	
130	08101-06207	KUGELLAGER	BEARING,BALL	1	>>	>=53298	0.280	
140	37410-57160	BEILAGE	SHIM	1			0.010	1.0mm



Download the full PDF manual instantly.

Our customer service e-mail:

aservicemanualpdf@yahoo.com