

# Instructions for Parts Books

The heading at the top of the page will be the same for the picture of the parts as it is for the page with the part numbers.

Definition of column headings on part number pages:

**REF.No** → The number referring to the part on the picture page of the parts book.

**Part No.** → The number assigned to this part at the time of printing the parts book.

**Description** → Description of part.

**Q'ty** → Quantity of part used on that page.

**S.No.** → Serial number range of the equipment that this part will fit.

>= Your serial number should be greater than or equal to the number shown.

<= Your serial number should be lesser than or equal to the serial number shown.

**I/C** → Interchangeability of part shown.

↔ The part shown will work for the older and later serial number.

# The part shown is not interchangeable with the other serial number.

← new for old

→ old for new

**Remarks** → Notes about this particular part. Sometimes this may say except [FR] or [CA]

## Note about Country Codes:

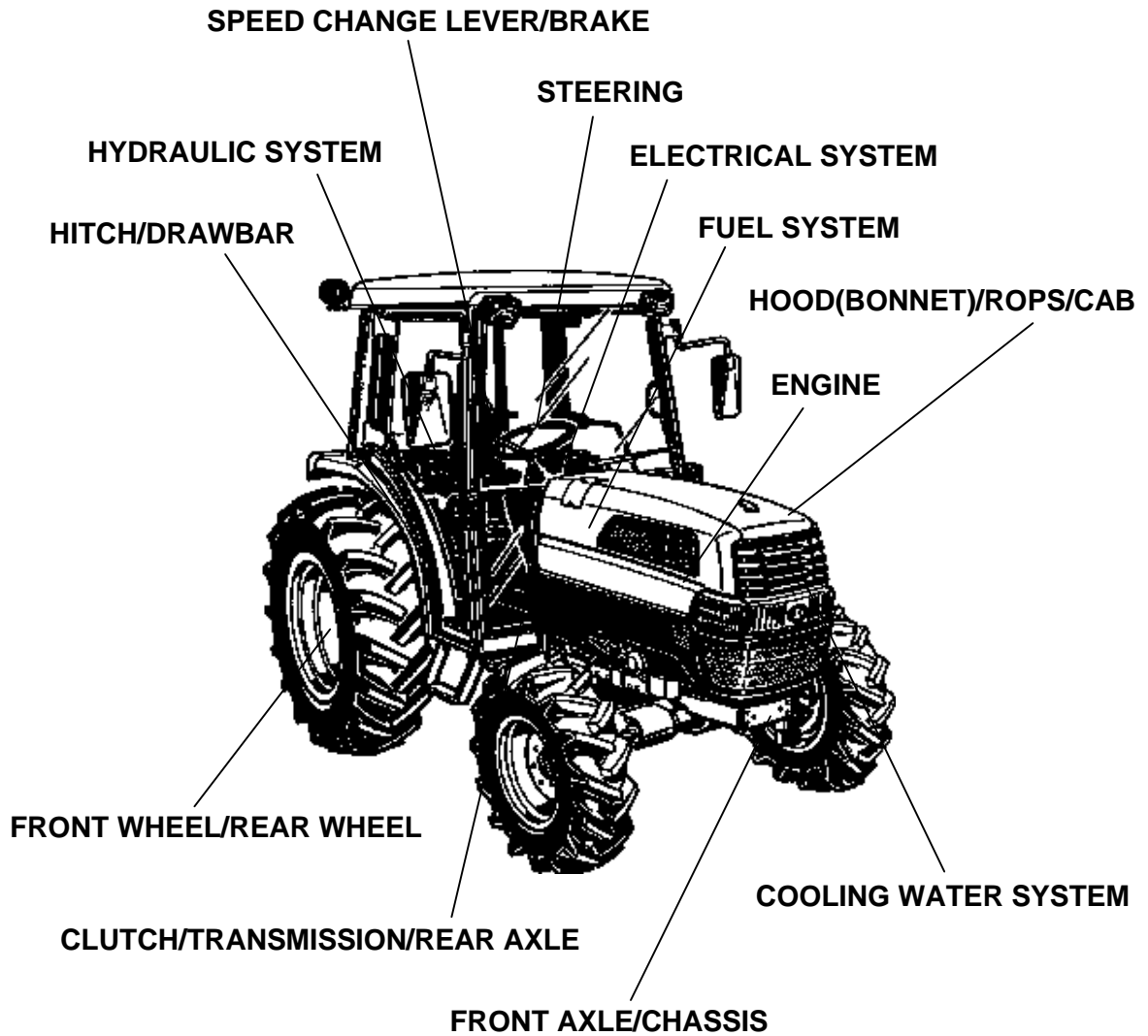
The parts books we use in the United States of America may also contain information about a part that would be different in another country. It is important that you are aware of the country codes in some instances.

Symbol	Country
A	United States of America
CA	Canada
FR	France
GR	Greece
PO	Portugal
AU	Australia

If the remarks column says for example EXCEPT [FR] this part works in all countries except France. That means it will work here in the USA.

ALL PRODUCT INDEX  
L3130DT/GST/HST

---



LABELS

OPTION

ACCESSORIES

Item	Part No.	Description	Book	
ENGINE	01000101	CRANKCASE	100K0721	
	01000201	OIL PAN	100K0721	
	01000301	CYLINDER HEAD	100K0721	
	01000401	GEAR CASE [ROPS TYPE]	100K0721	
	01000501	HEAD COVER [OLD TYPE]	100K0721	
	01000502	HEAD COVER [NEW TYPE]	100K0721	
	01010001	MAIN BEARING CASE [OLD TYPE]	100K0721	
	01010002	MAIN BEARING CASE [NEW TYPE]	100K0721	
	010101	CAMSHAFT AND IDLE GEAR SHAFT	100K0721	
	01010201	PISTON AND CRANKSHAFT	100K0721	
	01010302	FLYWHEEL [EXCEPT HST TYPE]	100K0721	
	01010303	FLYWHEEL [HST TYPE]	100K0721	
	01010501	FUEL CAMSHAFT	100K0721	
	010200	ENGINE STOP LEVER	100K0721	
	010202	INJECTION PUMP	100K0721	
	010204	GOVERNOR	100K0721	
	010205	SPEED CONTROL PLATE	100K0721	
	010206	NOZZLE HOLDER AND GLOW PLUG	100K0721	
	010207	NOZZLE HOLDER [COMPONENT PARTS]	100K0721	
	01050001	WATER FLANGE AND THERMOSTAT [ROPS TYPE]	100K0721	
	010501	WATER PUMP	100K0721	
	010600	VALVE AND ROCKER ARM	100K0721	
	010601	INLET MANIFOLD	100K0721	
	010603	EXHAUST MANIFOLD/MUFFLER	100K0721	
	01060401	AIR CLEANER [ROPS TYPE]	100K0721	
	01090101	UPPER GASKET KIT	100K0721	
	01090201	LOWER GASKET KIT	100K0721	
	01A01001	ACCELERATOR LEVER [ROPS TYPE]	100K0721	
	01A020	ACCELERATOR PEDAL [EXCEPT HST TYPE]	100K0721	
	FUEL SYSTEM	01A101	FUEL TANK	100K0721
		01A11001	FUEL PIPE AND FUEL FILTER [ROPS TYPE]	100K0721
		01A120	FUEL FILTER	100K0721
		01A130	FUEL FILTER [COMPONENT PARTS]	100K0721
	COOLING WATER SYSTEM	01A401	FAN	100K0721
		01A410	WATER PIPE	100K0721
		01A42001	RADIATOR [EXCEPT HST TYPE] [ROPS TYPE]	100K0721
		01A42002	RADIATOR [HST TYPE] [ROPS TYPE]	100K0721
	01A43001	RESERVE TANK [ROPS TYPE]	100K0721	
	ELECTRICAL SYSTEM	01A51501	ALTERNATOR	100K0721
		01A52001	ALTERNATOR [COMPONENT PARTS] [ROPS TYPE]	100K0721
		01A52501	STARTER	100K0721
		01A53001	STARTER [COMPONENT PARTS]	100K0721
		01A535	BATTERY	100K0721
		01B10201	SWITCH/RELAY [ROPS TYPE]	100K0721
		01B10301	SWITCH/SENSOR [EXCEPT CAB [CA] TYPE]	100K0721
		01B10401	SWITCH [MANUAL T/M TYPE]	100K0721
		01B10402	SWITCH [GST TYPE]	100K0721
01B10403		SWITCH [HST TYPE]	100K0721	
01B11501		PANEL BOARD [ROPS TYPE]	100K0721	
01B120		PANEL BOARD [COMPONENT PARTS]	100K0721	
01B303		HEAD LIGHT	100K0721	
01B311		HAZARD LIGHT [ROPS TYPE]	100K0721	
01B31201		REAR LAMP [ROPS TYPE]	100K0721	
01B50301		ELECTRICAL WIRING [MANUAL T/M TYPE]	100K0721	
01B50302		ELECTRICAL WIRING [GST TYPE]	100K0721	
01B50303		ELECTRICAL WIRING [HST TYPE] [ROPS TYPE]	100K0721	
CLUTCH/TRANSMISSION/REAR AXLE		01C10101	CLUTCH	100K0721

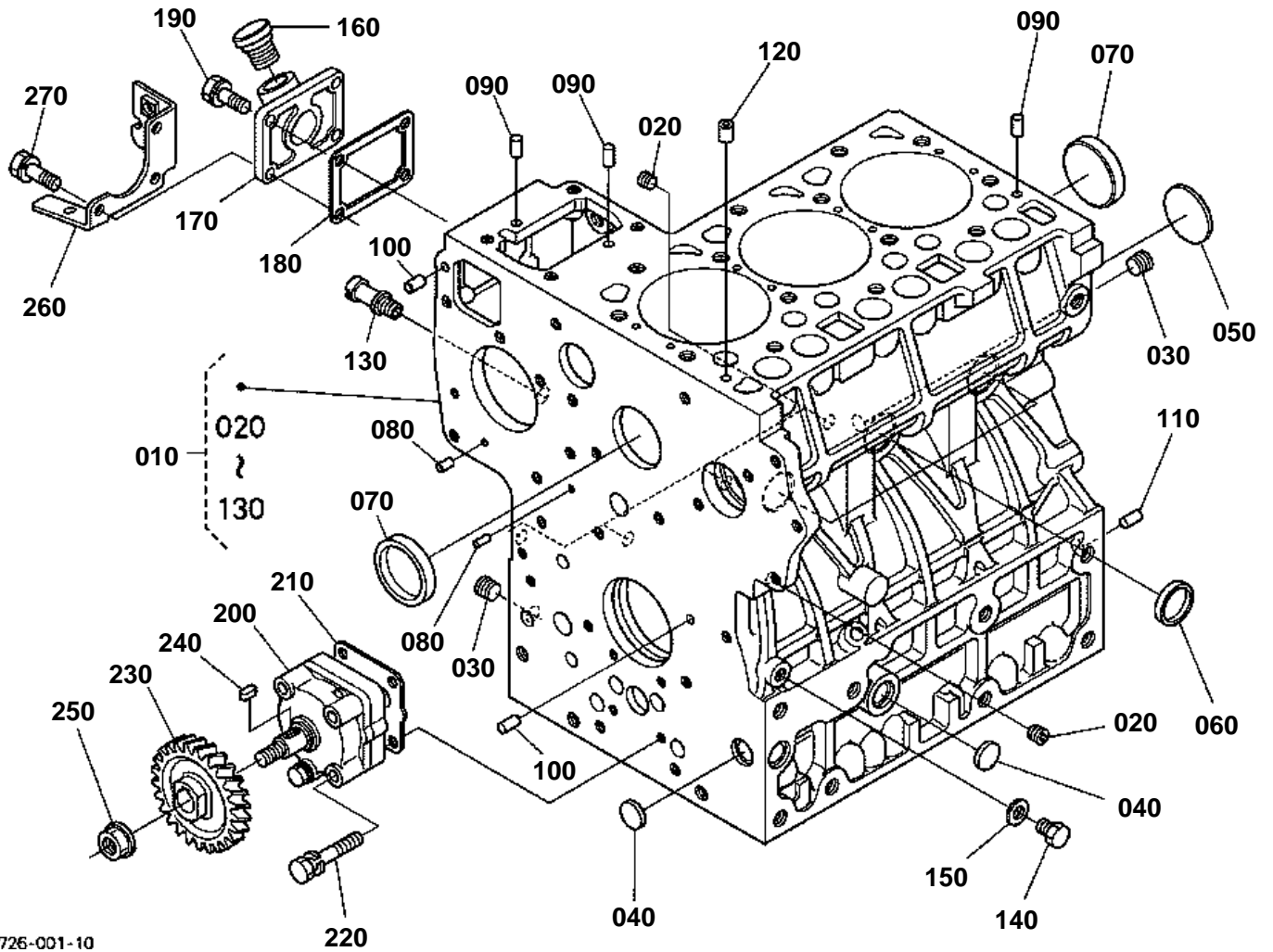
Item	Part No.	Description	Book	
CLUTCH/TRANSMISSION/REAR AXLE	01C20101	CLUTCH LEVER [EXCEPT HST TYPE]	100K0721	
	01C20102	CLUTCH LEVER [HST TYPE]	100K0721	
	01C30101	CLUTCH PEDAL [EXCEPT HST TYPE]	100K0721	
	01C30102	CLUTCH PEDAL [HST TYPE] [ROPS TYPE]	100K0721	
	01C40102	CLUTCH HOUSING [MANUAL T/M TYPE]	100K0721	
	01C40103	CLUTCH HOUSING [GST TYPE]	100K0721	
	01C40104	CLUTCH HOUSING [HST TYPE]	100K0721	
	01C40301	HST (PISTON/PLUG) [COMPONENT PARTS] [HST TYPE]	100K0721	
	01C40302	HST (REGULATOR/PIPE) [COMPONENT PARTS] [HST TYPE]	100K0721	
	01C40303	HST (ROTARY) [COMPONENT PARTS] [HST TYPE]	100K0721	
	01C405	GST VALVE [GST TYPE]	100K0721	
	01C406	GST VALVE [COMPONENT PARTS] [GST TYPE]	100K0721	
	01C41001	MID CASE [MANUAL T/M TYPE]	100K0721	
	01C41003	MID CASE [GST TYPE]	100K0721	
	01C41005	MID CASE [HST TYPE]	100K0721	
	01C42002	TRANSMISSION CASE [MANUAL T/M TYPE]	100K0721	
	01C42003	TRANSMISSION CASE [GST TYPE]	100K0721	
	01C42004	TRANSMISSION CASE [HST TYPE]	100K0721	
	01D101	MAIN SHAFT [EXCEPT HST TYPE]	100K0721	
	01D103	INPUT SHAFT [HST TYPE]	100K0721	
	01D10501	COUNTERSHAFT [MANUAL T/M TYPE]	100K0721	
	01D10502	COUNTERSHAFT [GST TYPE]	100K0721	
	01D10504	COUNTERSHAFT [HST TYPE]	100K0721	
	01D11001	HYDRAULIC CLUTCH [GST TYPE]	100K0721	
	01D11501	SHUTTLE SHAFT [MANUAL T/M TYPE]	100K0721	
	01D11502	SHUTTLE SHAFT [GST TYPE]	100K0721	
	01D11601	REVERSE SHAFT [MANUAL T/M TYPE]	100K0721	
	01D11603	REVERSE SHAFT [GST TYPE]	100K0721	
	01D11701	RANGE GEAR SHAFT [MANUAL T/M TYPE]	100K0721	
	01D11702	RANGE GEAR SHAFT [GST TYPE]	100K0721	
	01D11703	RANGE GEAR SHAFT [HST TYPE]	100K0721	
	01D12501	SPIRAL BEVEL PINION [EXCEPT HST TYPE]	100K0721	
	01D12502	SPIRAL BEVEL PINION [HST TYPE]	100K0721	
	01D127	REAR DIFFERENTIAL	100K0721	
	01D13001	PTO COUNTERSHAFT [EXCEPT HST TYPE]	100K0721	
	01D13002	PTO COUNTERSHAFT [HST TYPE]	100K0721	
	01D13201	PTO CLUTCH [EXCEPT HST TYPE]	100K0721	
	01D13202	PTO CLUTCH [HST TYPE]	100K0721	
	01D133	PTO CLUTCH [COMPONENT PARTS]	100K0721	
	01D13501	PTO SHAFT	100K0721	
	01D20101	MAIN GEAR SHIFT FORK [MANUAL T/M TYPE]	100K0721	
	01D20102	MAIN GEAR SHIFT FORK [GST TYPE]	100K0721	
	01D20501	SHUTTLE SHIFT FORK [MANUAL T/M TYPE]	100K0721	
	01D20502	SHUTTLE SHIFT FORK [GST TYPE]	100K0721	
	01D21701	RANGE GEAR SHIFT FORK [MANUAL T/M TYPE]	100K0721	
	01D21702	RANGE GEAR SHIFT FORK [GST TYPE]	100K0721	
	01D21703	RANGE GEAR SHIFT FORK [HST TYPE]	100K0721	
	01D22501	DIFFERENTIAL LOCK SHIFT FORK [EXCEPT HST TYPE]	100K0721	
	01D22502	DIFFERENTIAL LOCK SHIFT FORK [HST TYPE] [ROPS TYPE]	100K0721	
	SPEED CHANGE LEVER/BRAKE	01E10101	MAIN GEAR SHIFT LEVER [MANUAL T/M TYPE]	100K0721
		01E10102	MAIN GEAR SHIFT LEVER [GST TYPE]	100K0721
		01E105	SHUTTLE SHIFT LEVER [EXCEPT HST TYPE]	100K0721
		01E106	CRUISE CONTROL LEVER [HST TYPE]	100K0721

Item	Part No.	Description	Book	
SPEED CHANGE LEVER/BRAKE	01E107	CRUISE CONTROL CABLE [HST TYPE]	100K0721	
	01E108	NEUTRAL HOLDER LINK [HST TYPE]	100K0721	
	01E109	SPEED CONTROL PEDAL [HST TYPE]	100K0721	
	01E11001	RANGE GEAR SHIFT LEVER[MANUAL T/M TYPE]	100K0721	
	01E11002	RANGE GEAR SHIFT LEVER [HST TYPE] [ROPS TYPE]	100K0721	
	01E12601	PTO CLUTCH CONTROL LEVER [EXCEPT HST TYPE]	100K0721	
	01E12602	PTO CLUTCH CONTROL LEVER [HST TYPE]	100K0721	
	01E12701	PTO CLUTCH VALVE [COMPONENT PARTS] [EXCEPT HST TYPE]	100K0721	
	01E12702	PTO CLUTCH VALVE [COMPONENT PARTS] [HST TYPE]	100K0721	
	01E140	FRONT WHEEL DRIVE LEVER	100K0721	
	01E15101	REAR AXLE LH	100K0721	
	01E15201	REAR AXLE RH	100K0721	
	01E16101	BRAKE LH [EXCEPT GST TYPE]	100K0721	
	01E16102	BRAKE LH [GST TYPE]	100K0721	
	01E16201	BRAKE RH	100K0721	
	01E16501	BRAKE ROD (BRAKE PEDAL) [ROPS TYPE]	100K0721	
	01E170	BRAKE ROD (BRAKE CAM)	100K0721	
	01E20101	BRAKE PEDAL [EXCEPT HST TYPE]	100K0721	
	01E20102	BRAKE PEDAL [HST TYPE] [ROPS TYPE]	100K0721	
	FRONT AXLE/CHASSIS	01F10502	FRONT AXLE FRAME	100K0721
		01F12001	PROPELLER SHAFT [EXCEPT HST TYPE]	100K0721
		01F12002	PROPELLER SHAFT [HST TYPE]	100K0721
		01F122	FRONT WHEEL DRIVE SHAFT	100K0721
		01F125	FRONT DIFFERENTIAL CASE	100K0721
01F127		BEVEL GEAR (FRONT)	100K0721	
01F130		DIFFERENTIAL(FRONT)	100K0721	
01F141		FRONT AXLE CASE LH	100K0721	
01F142		FRONT AXLE CASE RH	100K0721	
01F145		DIFFERENTIAL GEAR SHAFT	100K0721	
01F150		FRONT AXLE	100K0721	
STEERING		01G10101	STEERING HANDLE [EXCEPT HST TYPE]	100K0721
		01G10102	STEERING HANDLE [HST TYPE] [ROPS TYPE]	100K0721
		01G10301	TILT PEDAL [ROPS TYPE]	100K0721
		01G10501	UNIVERSAL JOINT [ROPS TYPE]	100K0721
	01G110	STEERING CONTROLLER	100K0721	
	01G18002	STEERING CYLINDER	100K0721	
	01G18502	STEERING CYLINDER [COMPONENT PARTS]	100K0721	
HYDRAULIC SYSTEM	01H120	HYDRAULIC PUMP	100K0721	
	01H125	HYDRAULIC PUMP [COMPONENT PARTS]	100K0721	
	01H145	REGULATOR VALVE [EXCEPT HST TYPE]	100K0721	
	01H20501	HYDRAULIC OIL LINE(INLET) [EXCEPT HST TYPE]	100K0721	
	01H20502	HYDRAULIC OIL LINE(INLET) [HST TYPE]	100K0721	
	01H210	HYDRAULIC OIL LINE (DELIVERY)	100K0721	
	01H21501	HYDRAULIC OIL LINE (PS) [EXCEPT HST TYPE]	100K0721	
	01H21502	HYDRAULIC OIL LINE (PS) [HST TYPE]	100K0721	
	01H23001	PTO HYDRAULIC OIL LINE [MANUAL T/M TYPE]	100K0721	
	01H23002	PTO HYDRAULIC OIL LINE [GST TYPE]	100K0721	
	01H23501	HYDRAULIC OUTLET BLOCK [EXCEPT HST TYPE]	100K0721	
	01H23502	HYDRAULIC OUTLET BLOCK [HST TYPE] [ROPS TYPE]	100K0721	
	01H240	HYDRAULIC PIPE(HST) [HST TYPE]	100K0721	
	01H24501	OIL COOLER [HST TYPE] [ROPS TYPE]	100K0721	

Item	Part No.	Description	Book	
HYDRAULIC SYSTEM	01H305	TRANSMISSION CASE COVER	100K0721	
	01H320	LIFT ARM	100K0721	
	01H330	FEED BACK LEVER	100K0721	
	01H40501	CONTROL VALVE (W/O REMOTE CONTROL VALVE) [OLD TYPE]	100K0721	
	01H40502	CONTROL VALVE (W/O REMOTE CONTROL VALVE) [NEW TYPE]	100K0721	
	01H41001	CONTROL VALVE [COMPONENT PARTS] [OLD TYPE]	100K0721	
	01H41002	CONTROL VALVE [COMPONENT PARTS] [NEW TYPE]	100K0721	
	01H432	CHECK VALVE/SAFETY VALVE	100K0721	
	01H43501	3P CYLINDER RH	100K0721	
	01H43601	3P CYLINDER LH	100K0721	
	01H437	3P CYLINDER [COMPONENT PARTS]	100K0721	
	01H44001	POSITION CONTROL LEVER [ROPS TYPE]	100K0721	
	01J105	TOP LINK	100K0721	
	01J11001	3-POINT LINKAGE (LOWER LINK)	100K0721	
	01J113	STABILIZER	100K0721	
	01J115	3-POINT LINKAGE (LIFT ROD)	100K0721	
	HITCH/DRAWBAR	01K105	DRAWBAR	100K0721
		01K125	PTO PROTECTOR	100K0721
	HOOD(BONNET)/ROPS/CAB	01L101	FRONT GRILLE	100K0721
		01L102	HOOD(BONNET) FRONT SUPPORT	100K0721
		01L10501	HOOD(BONNET) [ROPS TYPE]	100K0721
		01L10701	HOOD(BONNET) LINK [ROPS TYPE]	100K0721
		01L115	SIDE COVER LOWER	100K0721
		01L13001	SHUTTER PLATE [ROPS TYPE]	100K0721
		01L20101	PANEL FRAME [EXCEPT HST TYPE]	100K0721
		01L20102	PANEL FRAME [HST TYPE] [ROPS TYPE]	100K0721
		01L203	PANEL COVER [ROPS TYPE]	100K0721
		01L210	FENDER [ROPS TYPE]	100K0721
		01L21501	FLOOR SEAT [EXCEPT HST TYPE]	100K0721
		01L21502	FLOOR SEAT [HST TYPE] [ROPS TYPE]	100K0721
		01L21901	SEAT [ROPS TYPE]	100K0721
		01L22001	SEAT [COMPONENT PARTS] [ROPS TYPE]	100K0721
		01L221	SEAT SUSPENSION [COMPONENT PARTS]	100K0721
01L22501		STEP [EXCEPT HST TYPE]	100K0721	
01L22502		STEP [HST TYPE] [ROPS TYPE]	100K0721	
01L30101		ROPS (RIGID TYPE) [ROPS TYPE]	100K0721	
01L30102		ROPS (FOLDABLE TYPE) [ROPS TYPE]	100K0721	
01L50101		SMV EMBLEM [ROPS TYPE]	100K0721	
FRONT WHEEL/REAR WHEEL		01P10104	FRONT WHEEL (27*10.50-15)	100K0721
		01P10106	FRONT WHEEL (7.2-16 R1) [OLD TYPE]	100K0721
		01P10107	FRONT WHEEL (7-16 R1) [NEW TYPE]	100K0721
		01P10108	FRONT WHEEL (7.2-16 R1)	100K0721
		01P10109	FRONT WHEEL (10-16.5)	100K0721
		01P10110	FRONT WHEEL (27*8.50-15)	100K0721
		01P10111	FRONT WHEEL (29*12.5-15) [OLD TYPE]	100K0721
	01P10112	FRONT WHEEL (29*12.5-15) [NEW TYPE]	100K0721	
	01P11001	REAR WHEEL (12.4-24 R1)	100K0721	
	01P11002	REAR WHEEL (44*18-20)	100K0721	
	01P11003	REAR WHEEL (41/18LL*16.1)	100K0721	
	01P11004	REAR WHEEL (420/70-24)	100K0721	
01P11005	REAR WHEEL (355/80-D20)	100K0721		
LABELS	01R10501	LABEL (FRONT) [MANUAL T/M TYPE] [A]	100K0721	
	01R10502	LABEL (FRONT) [MANUAL T/M TYPE] [CA]	100K0721	
	01R10503	LABEL (FRONT) [GST TYPE] [A]	100K0721	
	01R10504	LABEL (FRONT) [GST TYPE] [CA]	100K0721	

Item	Part No.	Description	Book
LABELS	01R10505	LABEL (FRONT) [HST TYPE] [ROPS TYPE] [A]	100K0721
	01R10506	LABEL (FRONT) [HST TYPE] [ROPS TYPE] [CA]	100K0721
	01R11003	LABEL (REAR) [MANUAL T/M TYPE] [A]	100K0721
	01R11004	LABEL (REAR) [MANUAL T/M TYPE] [CA]	100K0721
	01R11005	LABEL (REAR) [GST TYPE] [A]	100K0721
	01R11006	LABEL (REAR) [GST TYPE] [CA]	100K0721
	01R11007	LABEL (REAR) [HST TYPE] [ROPS TYPE] [A]	100K0721
	01R11008	LABEL (REAR) [HST TYPE] [ROPS TYPE] [CA]	100K0721
ACCESSORIES OPTION	01S105	ACCESSORIES AND SERVICE PARTS	100K0721
	01T10501	WORKING LIGHT KIT [ROPS TYPE] [OPTION]	100K0721
	01T11501	CREEP SPEED KIT (GEAR SHAFT) [EXCEPT HST TYPE] [OPTION]	100K0721
	01T11502	CREEP SPEED KIT (SHIFT FORK) [EXCEPT HST TYPE] [OPTION]	100K0721
	01T11503	CREEP SPEED KIT (SHIFT LEVER) [MANUAL T/M TYPE] [OPTION]	100K0721
	01T11504	CREEP SPEED KIT (SHIFT LEVER) [GST TYPE] [OPTION]	100K0721
	01T11701	MID PTO (CASE) [OPTION]	100K0721
	01T11702	MID PTO (SHIFT FORK) [OPTION]	100K0721
	01T11703	MID PTO (LEVER) [OPTION]	100K0721
	01T12601	HYDRAULIC PIPE KIT (HST) [OPTION]	100K0721
	01T130	POSITION CONTROL LEVER (WITH DRAFT) [OPTION]	100K0721
	01T133	POSITION CONTROL LINK (WITH DRAFT) [OPTION]	100K0721
	01T135	DRAFT CONTROL LEVER (WITH DRAFT) [OPTION]	100K0721
	01T140	TOP LINK HOLDER (WITH DRAFT) [OPTION]	100K0721
	01T144	SWINGING DRAWBAR [OPTION]	100K0721
	01T14901	AUXILIARY CONTROL VALVE [OPTION]	100K0721
	01T14902	AUXILIARY CONTROL VALVE (FLOATING) [OPTION]	100K0721
	01T15001	AUXILIARY CONTROL VALVE LEVER (1ST) [ROPS TYPE] [OPTION]	100K0721
	01T15003	AUXILIARY CONTROL VALVE LEVER (2ND) [EXCEPT CAB [CA] TYPE] [OPTION]	100K0721
	01T15004	AUXILIARY CONTROL VALVE LEVER (3RD) [OPTION]	100K0721
	01T15501	AUXILIARY CONTROL VALVE COUPLER (1ST) [EXCEPT CAB [CA] TYPE] [OPTION]	100K0721
	01T15502	AUXILIARY CONTROL VALVE COUPLER (2ND) [EXCEPT CAB [CA] TYPE] [OPTION]	100K0721
	01T15503	AUXILIARY CONTROL VALVE COUPLER (3RD) [OPTION]	100K0721

# CRANKCASE



1G726-001-10



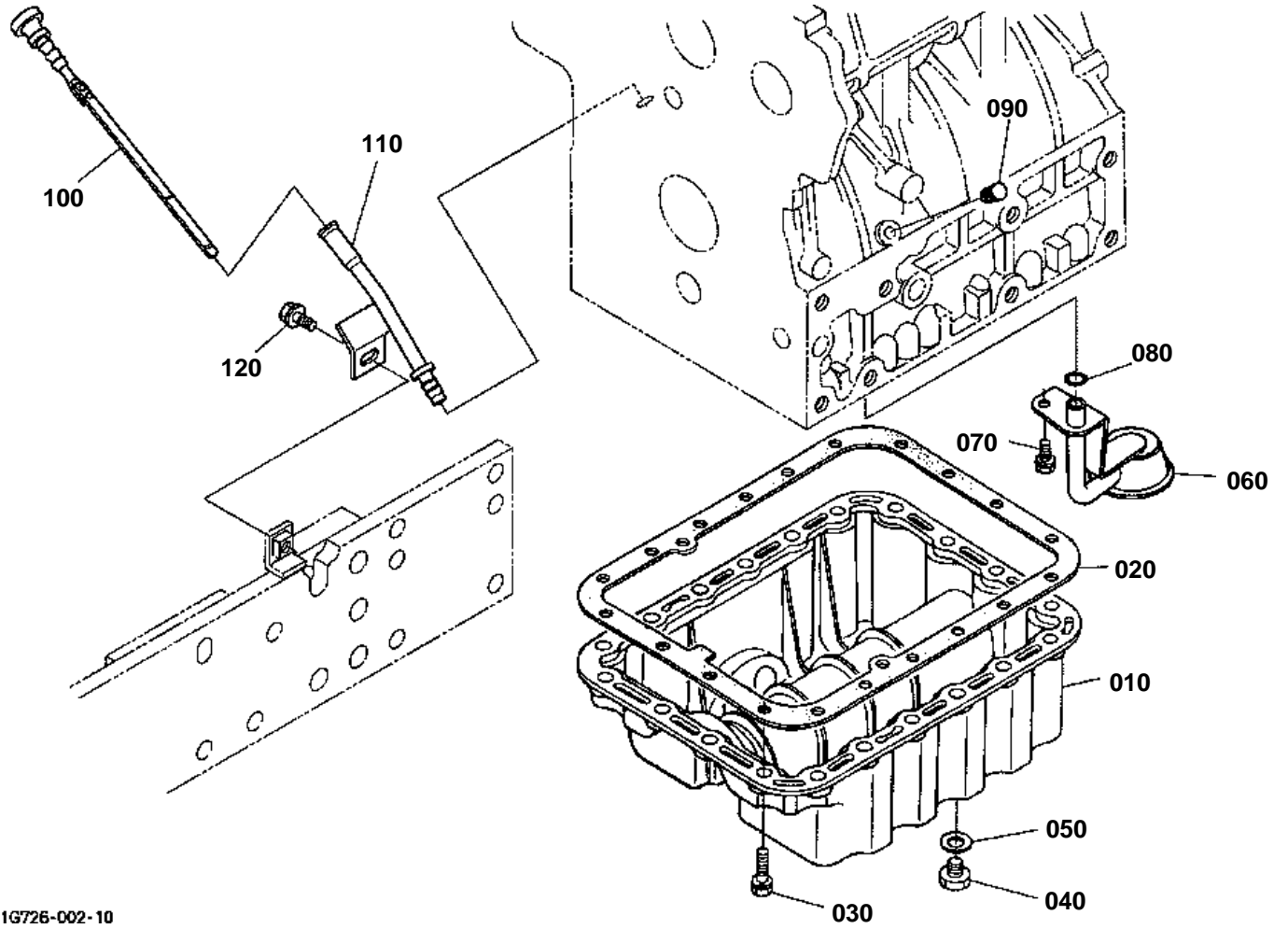


# CRANKCASE

↔ Interchangeable; ≠ not interchangeable; ← new for old; → old for new

REF.No	Part No.	Description	Q'ty	S.No.	I/C	REMARKS	Weight (kgf)	Weight (lb)
010	1G726-01010	COMP.CRANKCASE	1	<=3Q1566			48.5	106.7
010	1G726-01012	COMP.CRANKCASE	1	>=3S0001	≠		48.5	106.7
020	15521-96020	PLUG	5				0.003	0.0066
030	15521-96030	PLUG	2				0.007	0.0154
040	17391-96160	PLUG EXPANSION	3				0.003	0.0066
050	06311-75045	PLUG EXPANSION	1	<=3G0964			0.026	0.0572
050	16271-96160	PLUG EXPANSION	1	>=3J0001	←		0.025	0.055
060	15221-03380	CAP SEALING	5				0.017	0.0374
070	15221-03390	CAP SEALING	2				0.03	0.066
080	05012-00408	PIN STRAIGHT	2				0.001	0.0022
090	05012-00609	PIN STRAIGHT	3				0.003	0.0066
100	05012-00612	PIN STRAIGHT	2				0.003	0.0066
110	05012-01018	PIN STRAIGHT	1				0.012	0.0264
120	15221-33650	PIN PIPE	1				0.004	0.0088
130	15321-73340	PIPE WATER RETURN	1				0.016	0.0352
140	15221-33610	PLUG	1				0.009	0.0198
140	15469-33610	PLUG	1		↔		0.008	0.0176
150	15021-33660	GASKET	1				0.001	0.0022
160	16427-33140	PLUG OIL FILLER	1				0.025	0.055
170	1A021-33110	FLANGE OIL FILLER	1				0.07	0.154
180	1A021-51660	GASKET PUMP COVER	1				0.003	0.0066
190	01023-50618	BOLT	1				0.006	0.0132
200	15471-35012	ASSY PUMP OIL	1				0.55	1.21
210	1A021-35150	GASKET OIL PUMP	1				0.001	0.0022
220	01023-60650	BOLT	4				0.015	0.033
230	19202-35660	GEAR OIL PUMP DRIVE	1				0.23	0.506
240	05712-00410	KEY FEATHER	1				0.001	0.0022
250	15221-35682	NUT FLANGE	1				0.014	0.0308
260	1A021-57483	BRACKET ACCEL.CABLE	1				0.125	0.275
270	01023-50622	BOLT	3				0.005	0.011

# OIL PAN



1G726-002-10

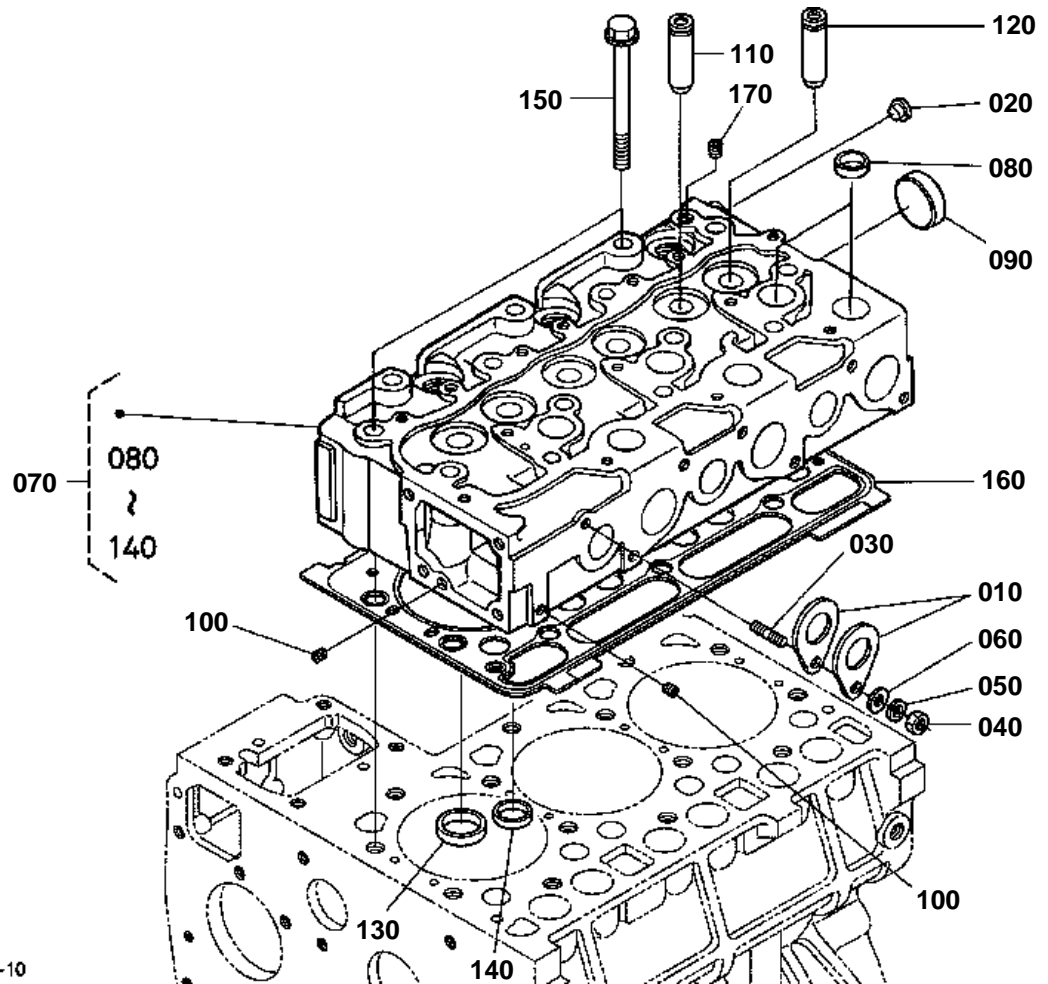


# OIL PAN

↔ Interchangeable; ≠ not interchangeable; ← new for old; → old for new

REF.No	Part No.	Description	Q'ty	S.No.	I/C	REMARKS	Weight (kgf)	Weight (lb)
010	15521-01610	OIL PAN	1				2.8	6.16
020	1A021-01620	GASKET OIL PAN	1				0.014	0.0308
030	01133-51028	BOLT	20				0.027	0.0594
040	16427-33750	PLUG DRAIN	2				0.03	0.066
050	6C090-58960	GASKET	2				0.002	0.0044
060	16427-32110	FILTER OIL	1				0.2	0.44
070	01123-60814	BOLT	1				0.01	0.022
080	04817-00160	O RING	1				0.001	0.0022
090	16414-33640	PLUG OIL GAUGE	1				0.003	0.0066
100	T1060-16602	GAUGE OIL	1				0.015	0.033
110	TD060-16612	GUIDE OIL GAUGE	1				0.075	0.165
120	01754-50816	BOLT FLANGE	1				0.011	0.0242

# CYLINDER HEAD



1G726-003-10

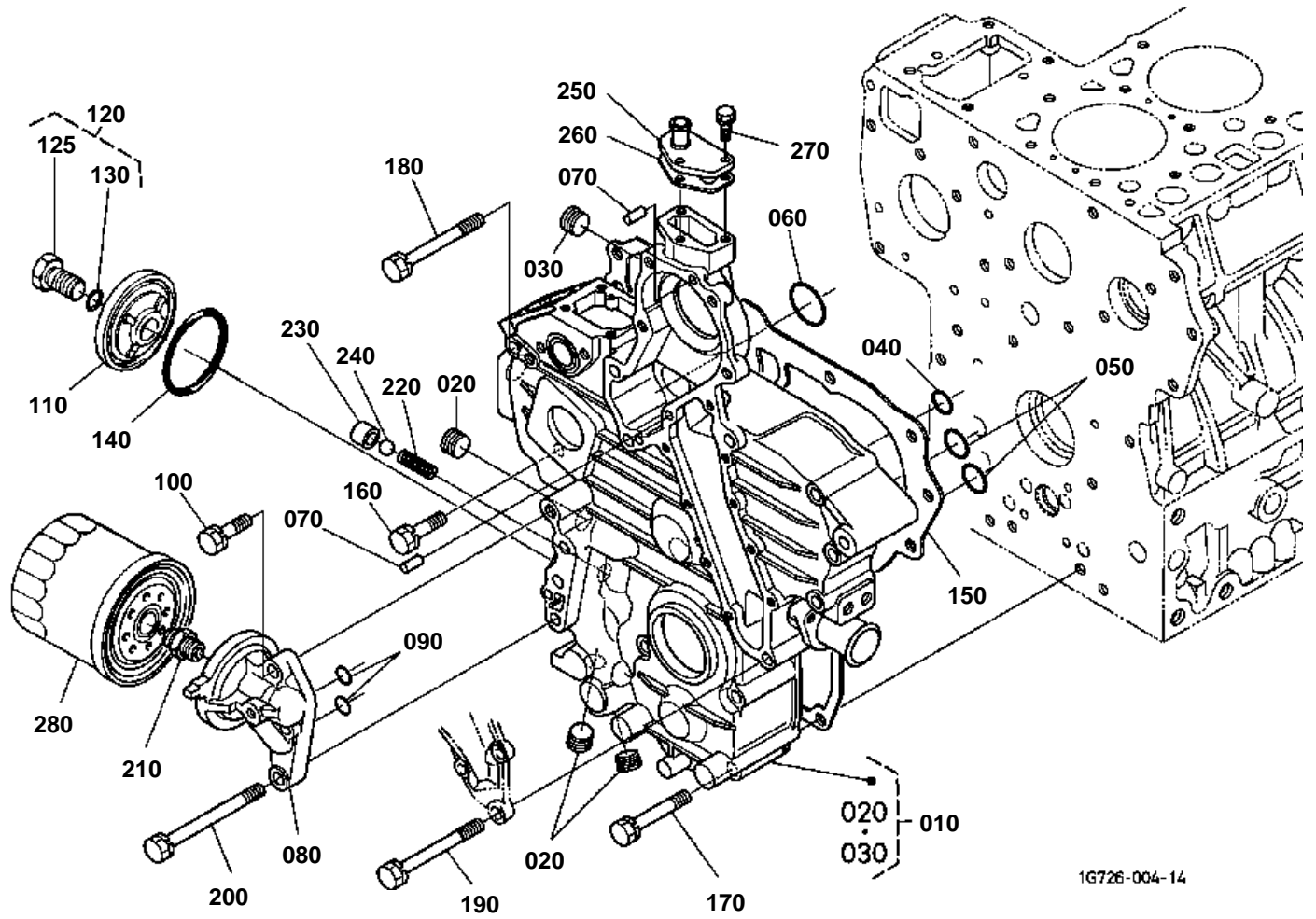


# CYLINDER HEAD

↔ Interchangeable; ≠ not interchangeable; ← new for old; → old for new

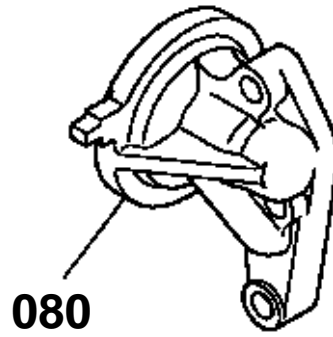
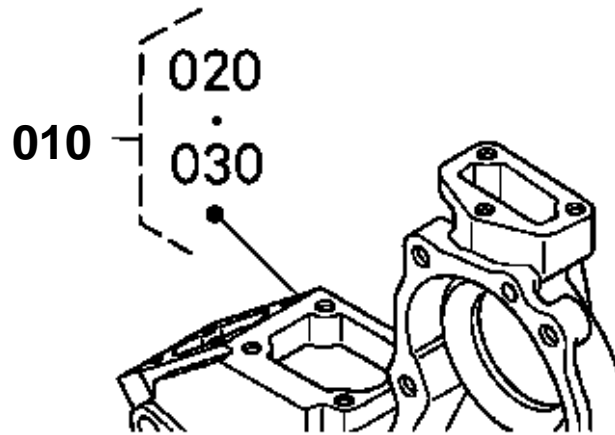
REF.No	Part No.	Description	Q'ty	S.No.	I/C	REMARKS	Weight (kgf)	Weight (lb)
010	15221-01750	HOOK ENGINE	2				0.04	0.088
020	09980-10075	CAP PROTECTOR	1				0.001	0.0022
030	15471-91530	STUD	1				0.01	0.022
040	02156-50080	NUT	1				0.004	0.0088
050	04512-60080	WASHER SPRING	1				0.002	0.0044
060	04012-50080	WASHER PLAIN	1				0.001	0.0022
070	1A013-03043	COMP.CYLINDER HEAD	1	<=4L1569			15	33
070	1A013-03044	COMP.CYLINDER HEAD	1	>=4N0001	←		15	33
080	15221-03370	CAP SEALING	9				0.01	0.022
090	15221-03490	CAP SEALING	1				0.02	0.044
100	15261-96010	PLUG	2				0.002	0.0044
110	17321-13580	GUIDE INLET VALVE	3				0.015	0.033
120	17321-13560	GUIDE EXHAUST VALVE	3				0.02	0.044
130	16415-13620	SEAT INLET VALVE	3				0.01	0.022
140	16415-13612	SEAT EXHAUST VALVE	3				0.01	0.022
150	19013-03450	BOLT CYLINDER HEAD	14				0.077	0.1694
160	1G720-03310	GASKET CYL.HEAD	1				0.22	0.484
170	15841-96020	PLUG	1				0.028	0.0616

GEAR CASE [ROPS TYPE]



1G726-004-14

# OLD PARTS



1G726-804-10



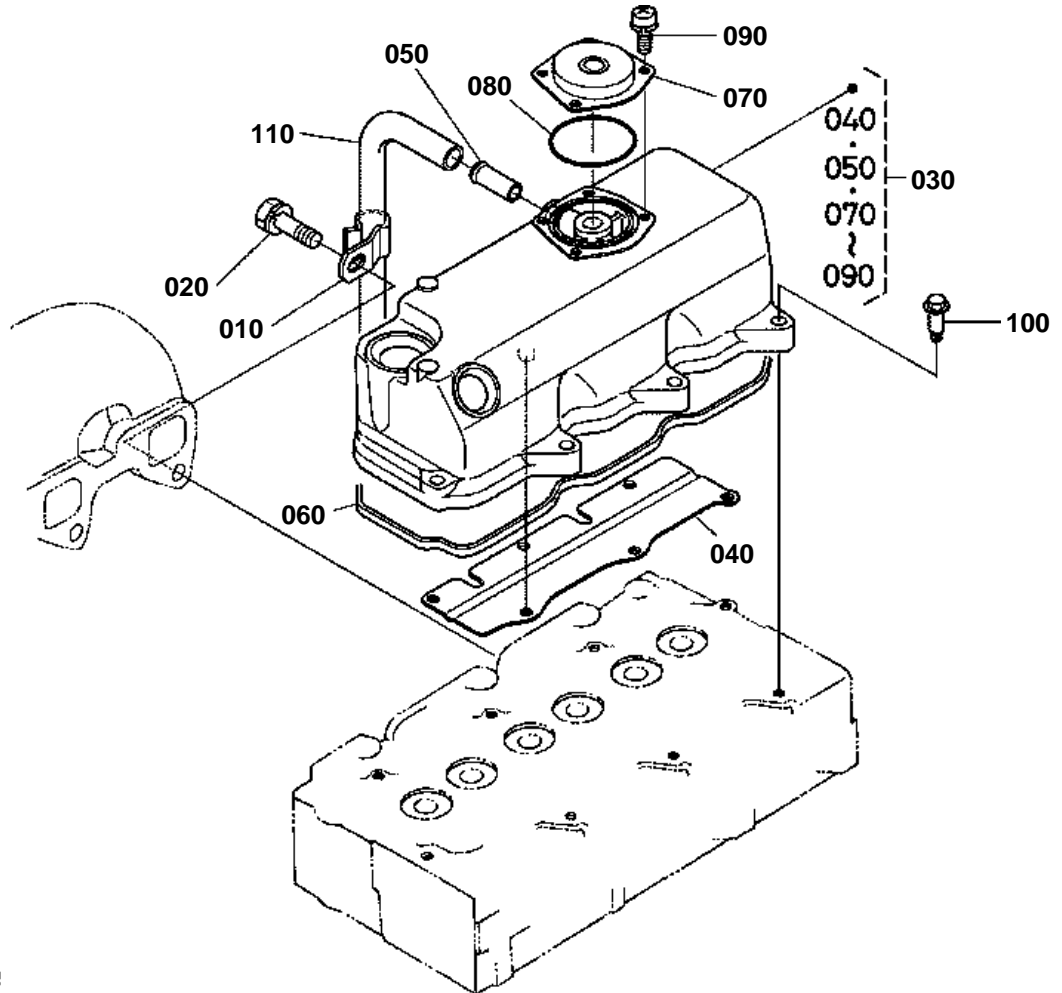
## GEAR CASE [ROPS TYPE]

↔ Interchangeable; ≠ not interchangeable; ← new for old; → old for new

REF.No	Part No.	Description	Q'ty	S.No.	I/C	REMARKS	Weight (kgf)	Weight (lb)
010	1A021-04020	COMP.CASE GEAR	1	<=4N1155			3.95	8.69
010	1A021-04024	COMP.CASE GEAR	1	>=4Q0001	←		3.95	8.69
020	16241-96020	PLUG	3				0.015	0.033
030	1A021-96020	PLUG	1				0.015	0.033
040	04817-00150	O RING	1				0.001	0.0022
050	04817-00220	O RING	2				0.001	0.0022
060	04817-00360	O RING	1				0.001	0.0022
070	05012-00612	PIN STRAIGHT	2				0.003	0.0066
080	1A021-32610	BASE OIL FILTER	1	<=4T9999			0.25	0.55
080	1G801-32610	BASE OIL FILTER	1	>=4U0001	≠		0	0
090	04817-00150	O RING	2				0.001	0.0022
100	01123-50835	BOLT	1				0.02	0.044
110	17331-32880	COVER	1				0.075	0.165
120	17331-32910	COMP BOLT	1				0.07	0.154
125	17331-32900	BOLT	1				0.06	0.132
130	04817-00150	O RING	1				0.001	0.0022
140	19202-96830	O RING	1				0.01	0.022
150	1A021-04130	GASKET GEAR CASE	1				0.019	0.0418
160	01123-50835	BOLT	1				0.02	0.044
170	01123-50870	BOLT	7				0.029	0.0638
180	17367-91010	BOLT	2				0.005	0.011
190	17367-91020	BOLT	3				0.035	0.077
200	1A021-91010	BOLT	2				0.045	0.099
210	15521-32293	JOINT PIPE	1				0.05	0.11
210	1A021-32290	JOINT PIPE	1		↔		0.05	0.11
220	15241-36950	SPRING	1				0.004	0.0088
230	15521-36930	SEAT VALVE	1				0.015	0.033
240	07715-03213	BALL	1				0.004	0.0088
250	15521-73320	FLANGE WATER RETURN	1				0.04	0.088
260	1A021-73330	GASKET RETURN FLANGE	1				0.001	0.0022
270	01023-50620	BOLT	3				0.006	0.0132
280	16414-32430	CARTRIDGE OIL FILTER	1				0.54	1.188



HEAD COVER [OLD TYPE]



1A021-005-12

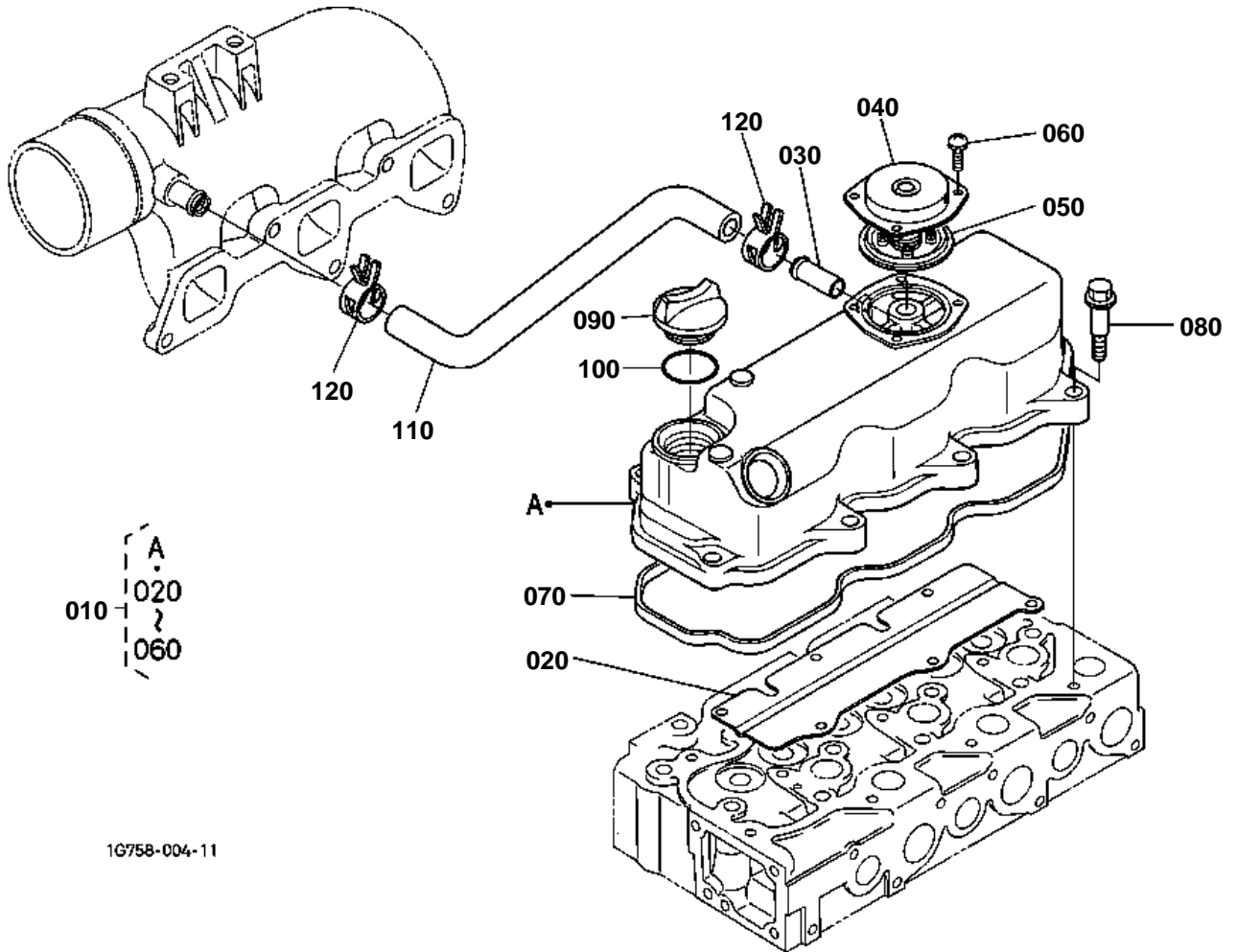


**HEAD COVER [OLD TYPE]**  
S.No.;<=3W1642

↔ Interchangeable; ≠ not interchangeable; ← new for old; → old for new

REF.No	Part No.	Description	Q'ty	S.No.	I/C	REMARKS	Weight (kgf)	Weight (lb)
010	1A091-05580	CLAMP BREATHER TUBE	1				0.006	0.0132
020	01123-50822	BOLT	1				0.012	0.0264
030	1A021-14503	ASSY COVER CYL.HEAD	1				1.24	2.728
040	1A021-05370	SHIELD BREATHER	1				0.1	0.22
050	17331-73342	PIPE WATER RETURN	1				0.01	0.022
060	1A021-14520	GASKET HEAD COVER	1				0.02	0.044
070	1A021-05120	COVER BREATHER	1				0.039	0.0858
080	1A021-05430	O RING BREATHER	1				0.001	0.0022
090	03024-50510	SCREW WITH WASHER	4				0.002	0.0044
100	1G911-91022	BOLT	8				0.015	0.033
110	15837-05510	PIPE BREATHER	1				0.06	0.132

HEAD COVER [NEW TYPE]



1G758-004-11

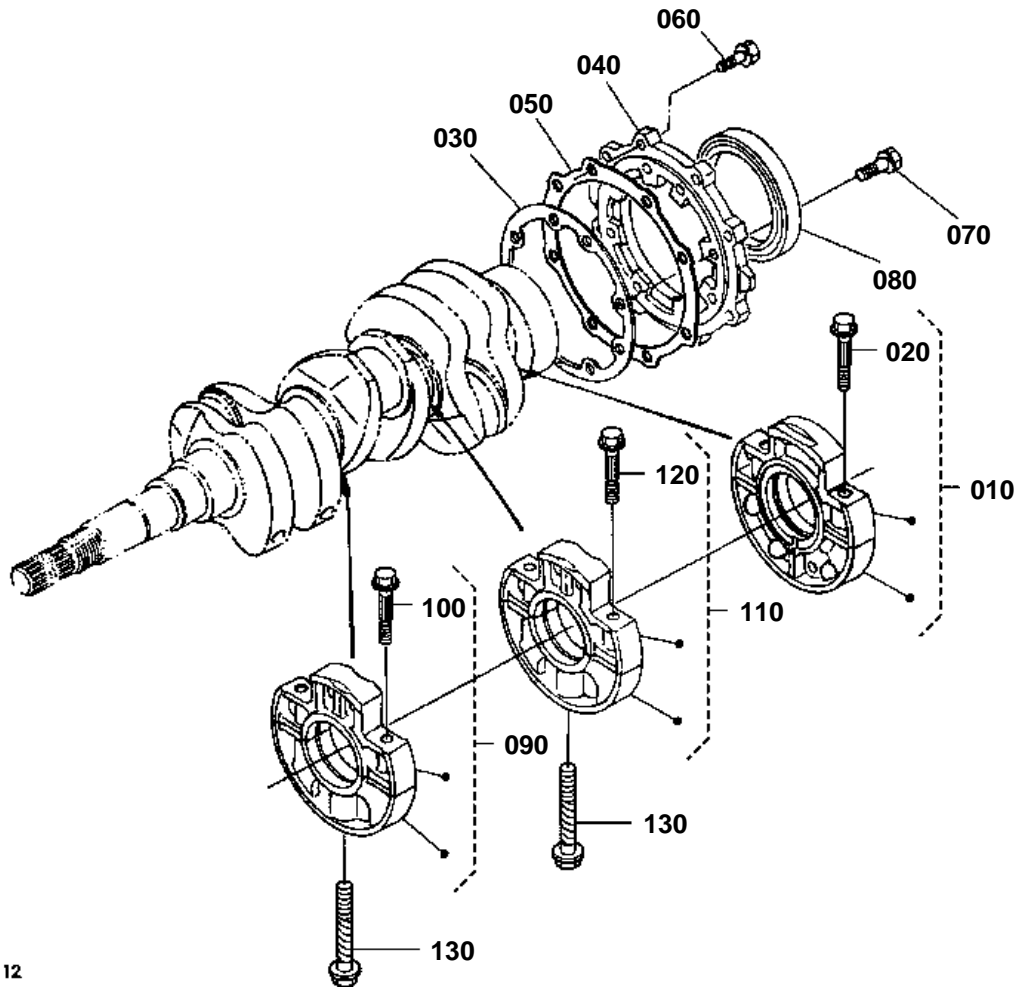


**HEAD COVER [NEW TYPE]**  
S.No.;>=3Y0001

↔ Interchangeable; ≠ not interchangeable; ← new for old; → old for new

REF.No	Part No.	Description	Q'ty	S.No.	I/C	REMARKS	Weight (kgf)	Weight (lb)
010	1G750-14503	ASSY COVER CYL.HEAD	1	<=4J1664			0	0
010	1G750-14504	ASSY COVER CYL.HEAD	1	>=4L0001	←		1.23	2.706
020	1A021-05370	SHIELD BREATHER	1				0.1	0.22
030	17331-73342	PIPE WATER RETURN	1				0.01	0.022
040	1G911-05120	COVER BREATHER	1				0.045	0.099
040	1G801-05120	COVER BREATHER	1		↔		0	0
050	1G911-05200	COMP.VALVE BREATHER	1	<=4J1664			0	0
050	1G911-05202	COMP.VALVE BREATHER	1	>=4L0001	←		0.01	0.022
060	03024-50510	SCREW WITH WASHER	4				0.002	0.0044
070	1A021-14520	GASKET HEAD COVER	1				0.02	0.044
080	1G911-91022	BOLT	8				0.015	0.033
090	15852-33140	PLUG OIL FILLER	1				0.038	0.0836
100	04817-50300	O RING	1				0.001	0.0022
110	1G780-05510	TUBE BREATHER	1				0.06	0.132
120	09318-88180	CLAMP HOSE	2				0.01	0.022

MAIN BEARING CASE [OLD TYPE]



1A021-006-12



**Download the full PDF manual instantly.**

**Our customer service e-mail:**

**[aservicemanualpdf@yahoo.com](mailto:aservicemanualpdf@yahoo.com)**