

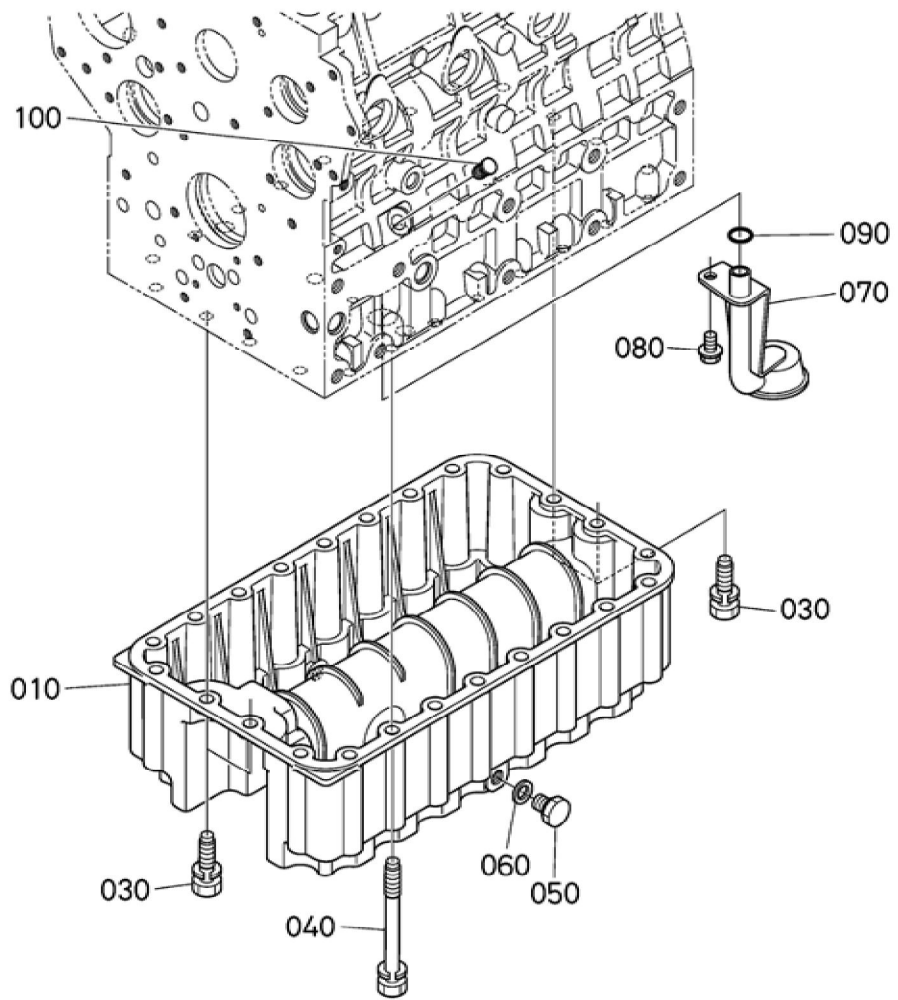
BKIDK5229 >> L2602HSTC >> MOTOR / ENGINE >> 500000 KURBELGHAEUSE / CRANKCASE

Update Date : 27-03-2020 Print Date : 09-03-2022

No.	Part Number	Part Name (POL)	Part Name (ENG)	QTY	IC	Serial No./PIN	Kg	Remarks
010	1J803-01013	KOMP.KURBELGEHAEUSE	COMP.CRANKCASE	1			60.000	
020	15521-96020	STOPFEN	PLUG	5			0.003	
030	15521-96030	STOPFEN	PLUG	2			0.007	
040	17391-96160	STOPFEN	PLUG,EXPANSION	3			0.003	
050	16271-96160	STOPFEN	PLUG,EXPANSION	1			0.025	
060	15221-03380	STOPFEN	CAP,SEALING	4			0.017	
070	1J860-71010	KOMP.WASSERROHR	PIPE,COMP	2			0.063	
080	15221-03390	STOPFEN	CAP,SEALING	2			0.030	
090	15261-03370	STOEPSEL,ABDICHTUNG	CAP,SEALING	1			0.005	
100	1A091-03380	STOPFEN	PLUG,WEIGHT SHAFT	2			0.005	
110	05012-00609	ZYLINDERSTIFT	PIN,STRAIGHT	2			0.003	
120	05012-00612	ZYLINDERSTIFT	PIN,STRAIGHT	2			0.003	
130	05012-01018	ZYLINDERSTIFT	PIN,STRAIGHT	1			0.012	
140	15221-33650	ROHRSTIFT	PIN,PIPE	1			0.004	
150	15321-73340	WASSERROHR	PIPE(WATER RETURN)	1			0.016	
160	1A091-26990	METALLTEIL	METAL (SHAFT,WEIGHT)	2			0.026	
170	1G425-26980	METALLTEIL	METAL (SHAFT,WEIGHT,2)	2			0.030	
180	1A091-26970	METALLTEIL	METAL (SHAFT,WEIGHT)	2			0.012	
190	15471-35013	GRP.OELPUMPE	ASSY PUMP,OIL	1			0.550	
200	1A021-35150	DICHTUNGSPLATTE	GASKET,OIL PUMP	1			0.001	
210	01023-50650	BOLZEN	BOLT,SEMS	4			0.012	
220	17301-35663	ZAHNRAD	GEAR(OIL PUMP DRIVE)	1			0.215	

Update Date : 27-03-2020 Print Date : 09-03-2022

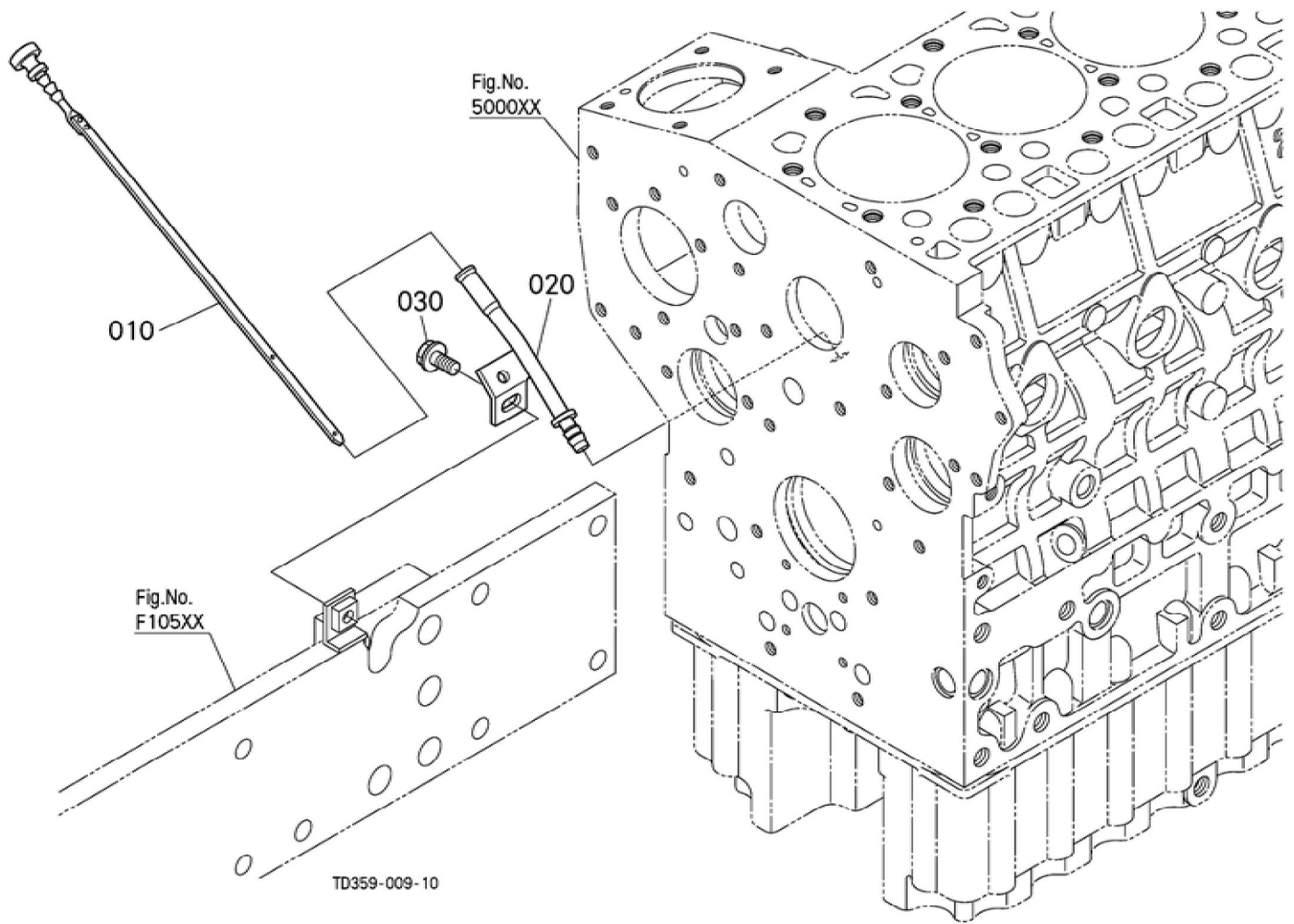
No.	Part Number	Part Name (POL)	Part Name (ENG)	QTY	IC	Serial No./PIN	Kg	Remarks
230	05712-00410	KEIL	KEY,FEATHER	1			0.001	
240	15221-35682	MUTTER	NUT	1			0.014	
250	1J803-39052	ZWISCHENSTUECK	ADAPTER (SWITCH,OIL)	1			0.025	



BKIDK5229 >> L2602HSTC >> MOTOR / ENGINE >> 501000 OELWANNE / OIL PAN

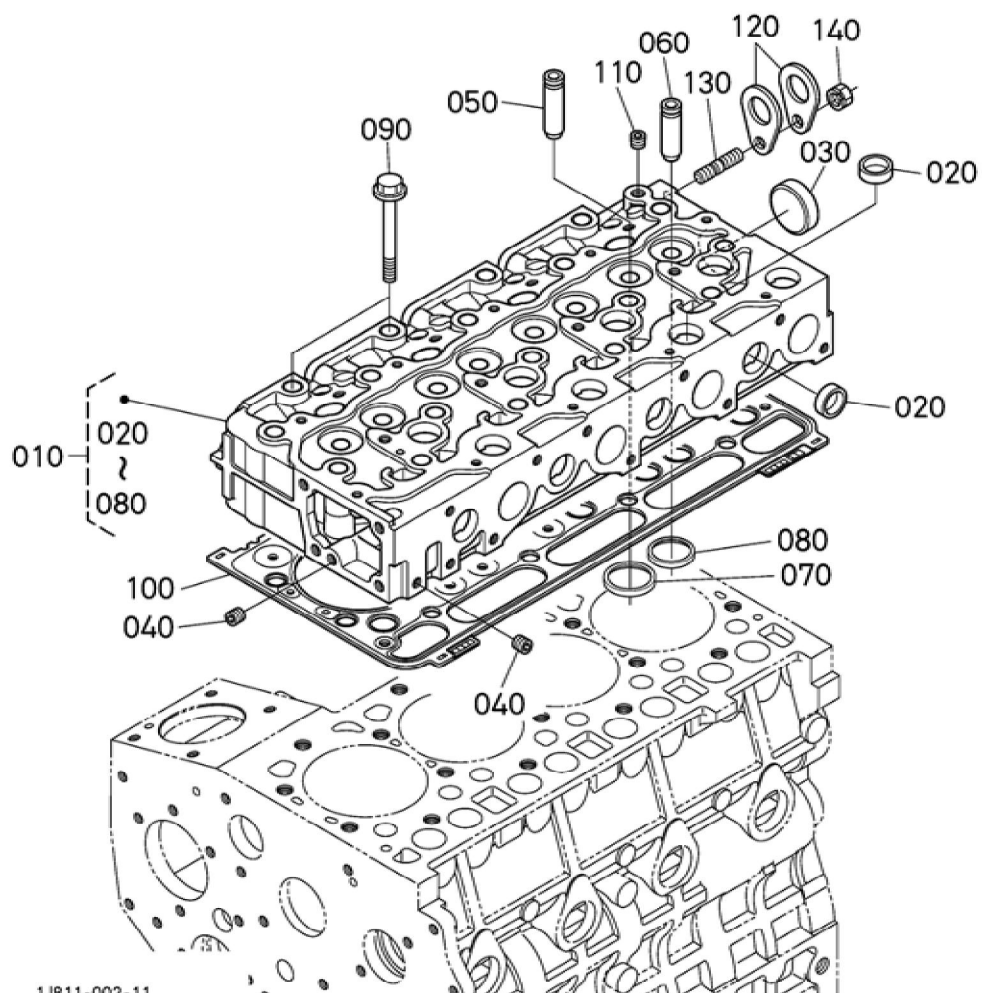
Update Date : 27-03-2020 Print Date : 09-03-2022

No.	Part Number	Part Name (POL)	Part Name (ENG)	QTY	IC	Serial No./PIN	Kg	Remarks
010	1G427-01610	OELWANNE	OIL PAN	1			4.700	
030	1A091-91010	BOLZEN	BOLT,SEMS	4			0.025	
040	01133-51002	BOLZEN	BOLT,SEMS	20			0.070	
050	16427-33750	ENTLEERUNGSSTOPFEN	PLUG,DRAIN	2			0.030	
060	6C090-58960	DICHTUNGSPLATTE	GASKET	2			0.005	
070	1A328-32110	OELFILTER	FILTER(OIL,1)	1			0.240	
080	01754-50812	SCHRAUBE	BOLT,FLANGE	1			0.008	
090	04817-00160	O RING	O RING	1			0.001	
100	1G513-36550	STOPFEN, OELMESSSTAB	PLUG,OIL GAUGE	1			0.004	



Update Date : 27-03-2020 Print Date : 09-03-2022

No.	Part Number	Part Name (POL)	Part Name (ENG)	QTY	IC	Serial No./PIN	Kg	Remarks
010	T1080-16600	OELMESSSTAB	GAUGE,OIL	1			0.020	
020	TD060-16615	FUEHRUNG, OELMESSSTAB	GUIDE,OIL GAUGE	1			0.075	
030	01754-50816	SCHRAUBE	BOLT,FLANGE	1			0.011	

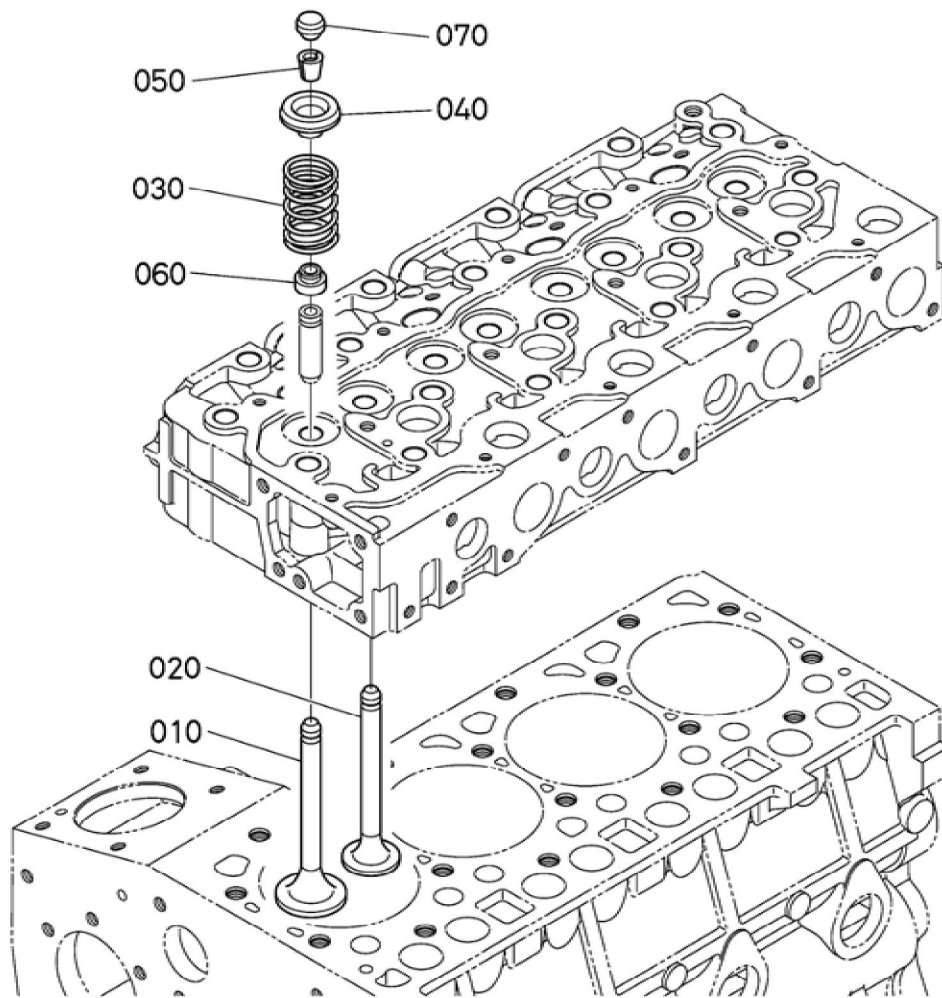


BKIDK5229 >> L2602HSTC >> MOTOR / ENGINE >> 502000 ZYLINDERKOPF / CYLINDER HEAD

Update Date : 27-03-2020 Print Date : 09-03-2022

No.	Part Number	Part Name (POL)	Part Name (ENG)	QTY	IC	Serial No./PIN	Kg	Remarks
010	1J800-03040	KOMP.ZYLINDERKOPF	COMP.CYLINDER HEAD	1		<=7JFZ999	20.000	
010	1J811-03040	ZYLINDERKOPF,KOMP.	HEAD,CYLINDER,COMP	1	>>	>=7JG0001	18.500	
020	15221-03370	STOPFEN	PLUG,CUP TYPE	12			0.010	
030	15221-03490	STOPFEN	CAP,SEALING	1			0.020	
040	15261-96010	STOPFEN	PLUG	2			0.002	
050	1G896-13580	EINLASSVENTILFUEHRUNG	GUIDE,VALVE INLET	4		<=7JVZ999	0.020	
050	1J829-13580	VENTILFUEHRUNG	GUIDE,VALVE (INLET)	4	>>	>=7JW0001	0.020	
060	1C010-13560	AUSLASSVENTILFUEHRUNG	GUIDE,EXHAUST VALVE	4		<=7JVZ999	0.025	
060	1J829-13560	VENTILFUEHRUNG	GUIDE,VALVE (EXHAUST)	4	>>	>=7JW0001	0.020	
070	17111-13620	VENTILSITZ	SEAT,INLET VALVE	4			0.010	
080	17111-13612	SITZ,AUSLASSVENTIL	SEAT,EXHAUST VALVE	4			0.007	
090	19013-03450	ZYLINDERKOPFSCHRAUBE	BOLT,HEAD (CYLINDER)	18			0.077	
100	1G790-03312	ZYLINDERKOPFPDICHTUNG	GASKET,CYL. HEAD	1			0.290	1.20mm
100	1G790-03602	ZYLINDERKOPFPDICHTUNG	GASKET,CYL. HEAD	1			0.275	1.15mm
100	1G790-03612	ZYLINDERKOPFPDICHTUNG	GASKET,CYL. HEAD	1			0.300	1.25mm
100	1G790-03622	ZYLINDERKOPFPDICHTUNG	GASKET,CYL. HEAD	1			0.315	1.30mm
100	1G790-03632	ZYLINDERKOPFPDICHTUNG	GASKET,CYL. HEAD	1			0.330	1.35mm
110	15841-96020	STOPFEN	PLUG	1			0.020	
120	15221-01750	MOTORHAKEN	HOOK,ENGINE	2			0.040	
130	15471-91530	STEBOLZEN	BOLT,STUD	1			0.010	
140	16429-92010	MUTTER	NUT WITH LOCK WASHER	1			0.007	

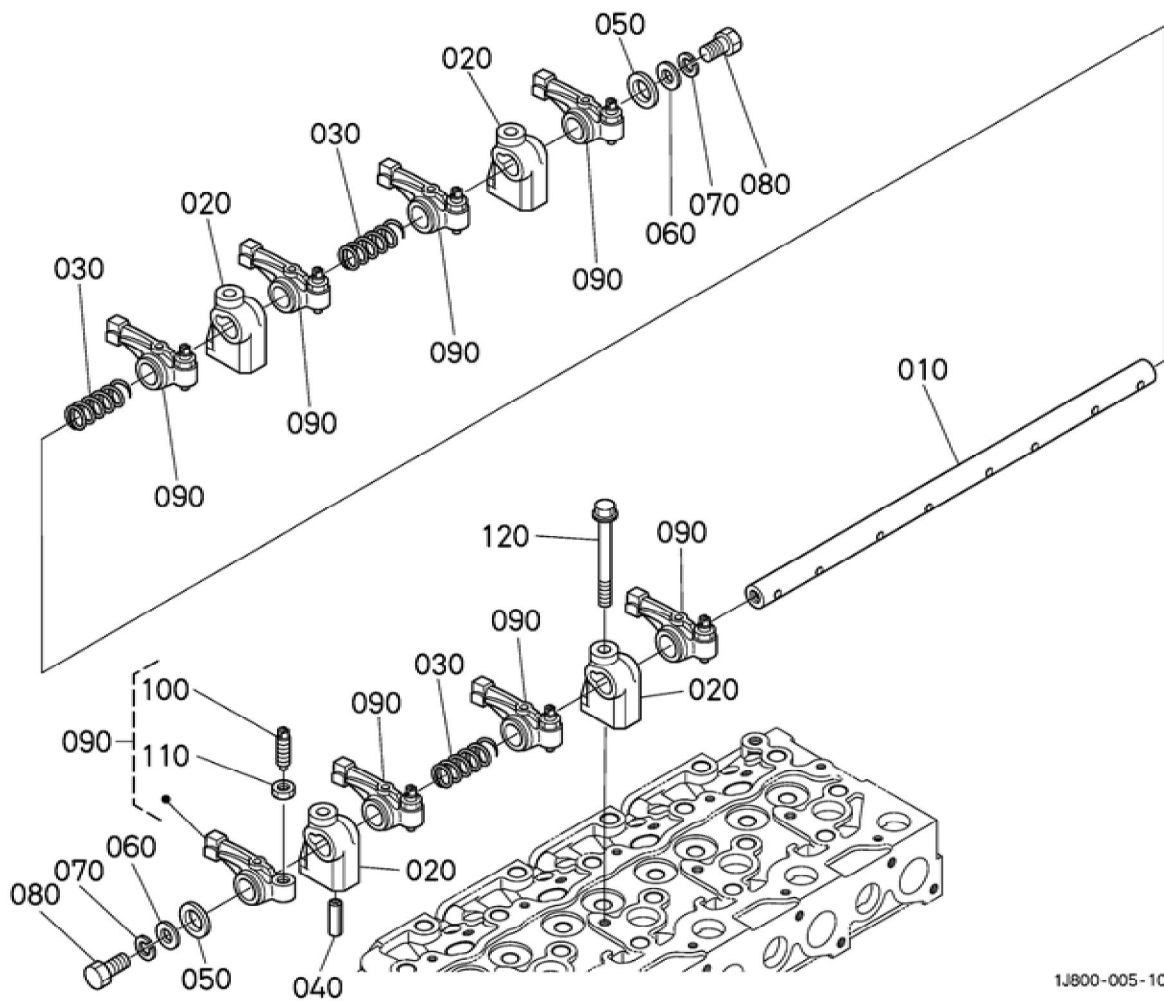
Update Date : 27-03-2020 Print Date : 09-03-2022



1J800-004-11

Update Date : 27-03-2020 Print Date : 09-03-2022

No.	Part Number	Part Name (POL)	Part Name (ENG)	QTY	IC	Serial No./PIN	Kg	Remarks
010	1G852-13114	VENTIL	VALVE,INLET	4			0.080	
020	1G852-13124	VENTIL	VALVE,EXHAUST	4			0.065	
030	1G896-13240	VENTIL-FEDER	SPRING,VALVE	8			0.040	
040	15221-13330	HALTER	RETAINER,VALVE SP.	8			0.028	
050	15221-13980	KLEMMSCHEIBE	COLLET,VALVE SPRING	8			0.005	SET
060	15221-13153	VENTILDICHTUNG	SEAL(VALVE STEM)	8			0.002	
070	1G896-13280	VENTILKAPPE	CAP(VALVE)	8			0.005	





Download the full PDF manual instantly.

Our customer service e-mail:

aservicemanualpdf@yahoo.com