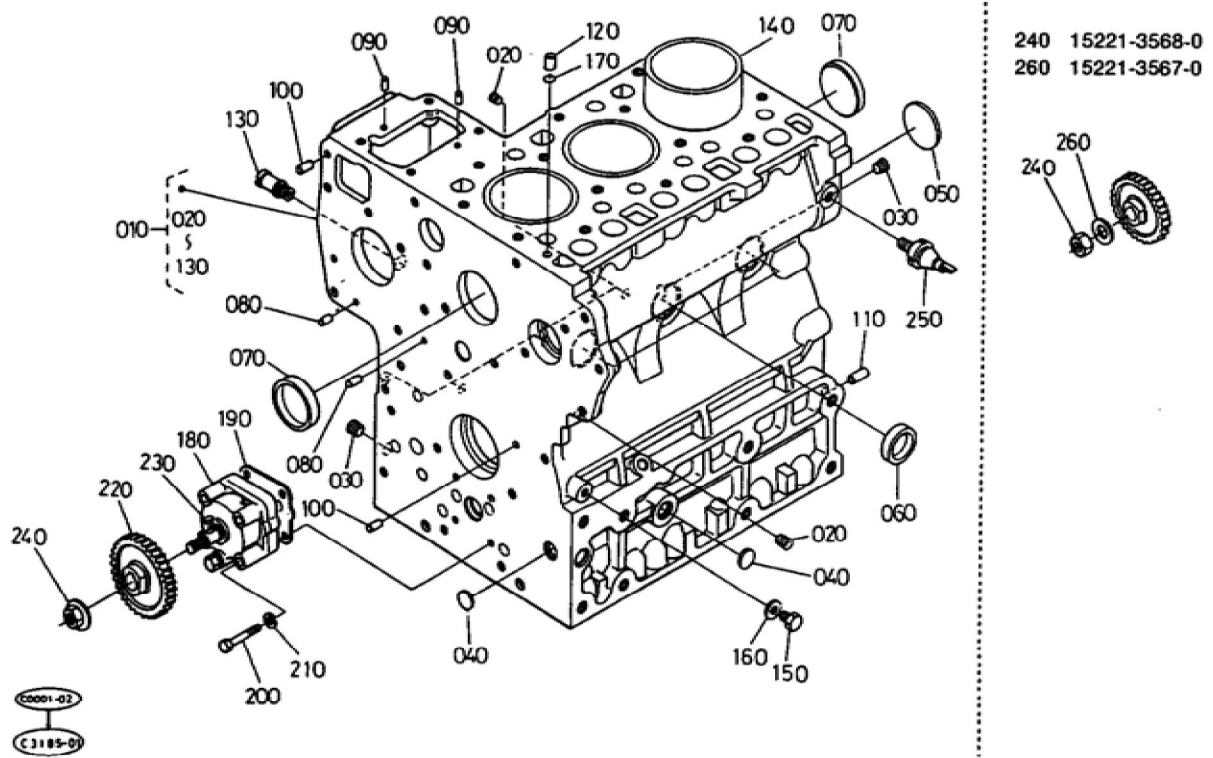


Update Date : 27-04-2020 Print Date : 02-03-2022



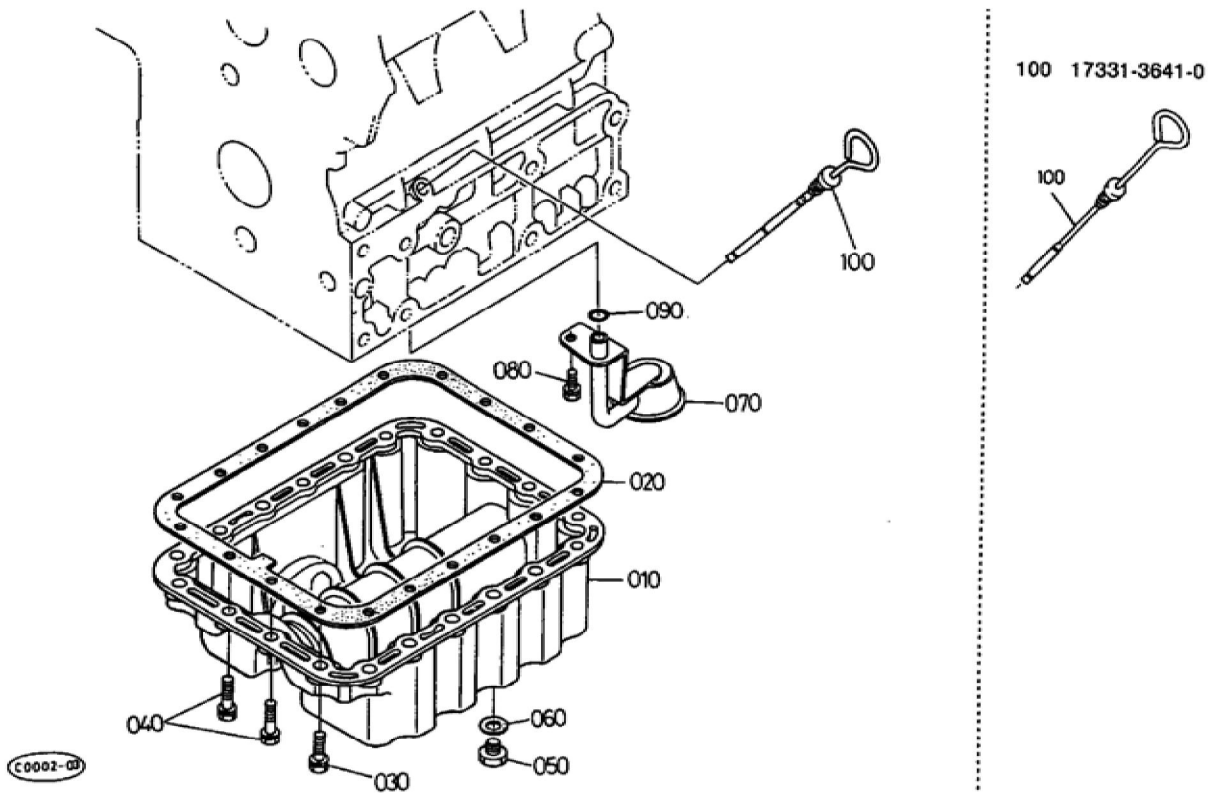
## BKIDK0067 &gt;&gt; L2550DT &gt;&gt; ENGINE / ENGINE &gt;&gt; T00100 KURBELGEHAEUSE / CRANKCASE

Update Date : 27-04-2020 Print Date : 02-03-2022

No.	Part Number	Part Name (POL)	Part Name (ENG)	QTY	IC	Serial No./PIN	Kg	Remarks
010	17325-01010	KOMP.KURBELGEHAEUSE	COMP.CRANKCASE	1			53.000	
020	15521-96020	STOPFEN	PLUG	5			0.003	
030	15521-96030	STOPFEN	PLUG	2			0.007	
040	06311-75018	STOPFEN	PLUG	3		<=24625	0.004	
040	17391-96160	STOPFEN	PLUG	3	>>	=>24626	0.003	
050	06311-75045	STOPFEN	PLUG	1			0.026	
060	15221-03380	STOPFEN	CAP SEALING	5			0.017	
070	15221-03390	STOPFEN	CAP SEALING	2			0.030	
080	05012-00408	ZYLINDERSTIFT	PIN STRAIGHT	2			0.001	
090	05012-00609	ZYLINDERSTIFT	PIN STRAIGHT	2			0.003	
100	05012-00612	ZYLINDERSTIFT	PIN STRAIGHT	2			0.003	
110	05012-01018	ZYLINDERSTIFT	PIN STRAIGHT	1			0.012	
120	15221-33650	ROHRSTIFT	PIN PIPE	1			0.004	
130	15321-73340	WASSERROHR	PIPE WATER RETURN	1			0.016	
140	15521-02310	ZYLINDERLAUFBUCHSE	LINER CYLINDER	3			0.660	
150	15221-33610	STOPFEN	PLUG	1			0.009	
160	15021-33660	DICHTUNGSPLATTE	GASKET	1			0.001	
170	15221-33700	O RING	O RING	1			0.001	
180	17331-35010	GRP.OELPUMPE	ASSY PUMP OIL	1			0.000	
190	15221-35150	DICHTUNG,OELPUMPE	GASKET OIL PUMP	1			0.000	
200	01053-50648	BOLZEN	BOLT	4			0.010	
210	04512-50060	FEDERRING	WASHER SPRING	4			0.001	
220	19202-35660	ZAHNRAD	GEAR OIL PUMP DRIVE	1			0.230	
230	05712-00410	KEIL	KEY FEATHER	1			0.001	

Update Date : 27-04-2020 Print Date : 02-03-2022

No.	Part Number	Part Name (POL)	Part Name (ENG)	QTY	IC	Serial No./PIN	Kg	Remarks
240	15221-35680	MUTTER	NUT FLANGE	1		<=19973	0.000	
240	15221-35682	MUTTER	NUT FLANGE	1	>>	=>19974	0.014	
250	15531-39010	OELDRUCKS CHALTER	SWITCH OIL	1			0.032	
260	15221-35670	SCHEIBE	WASHER	1		<=19973	0.005	

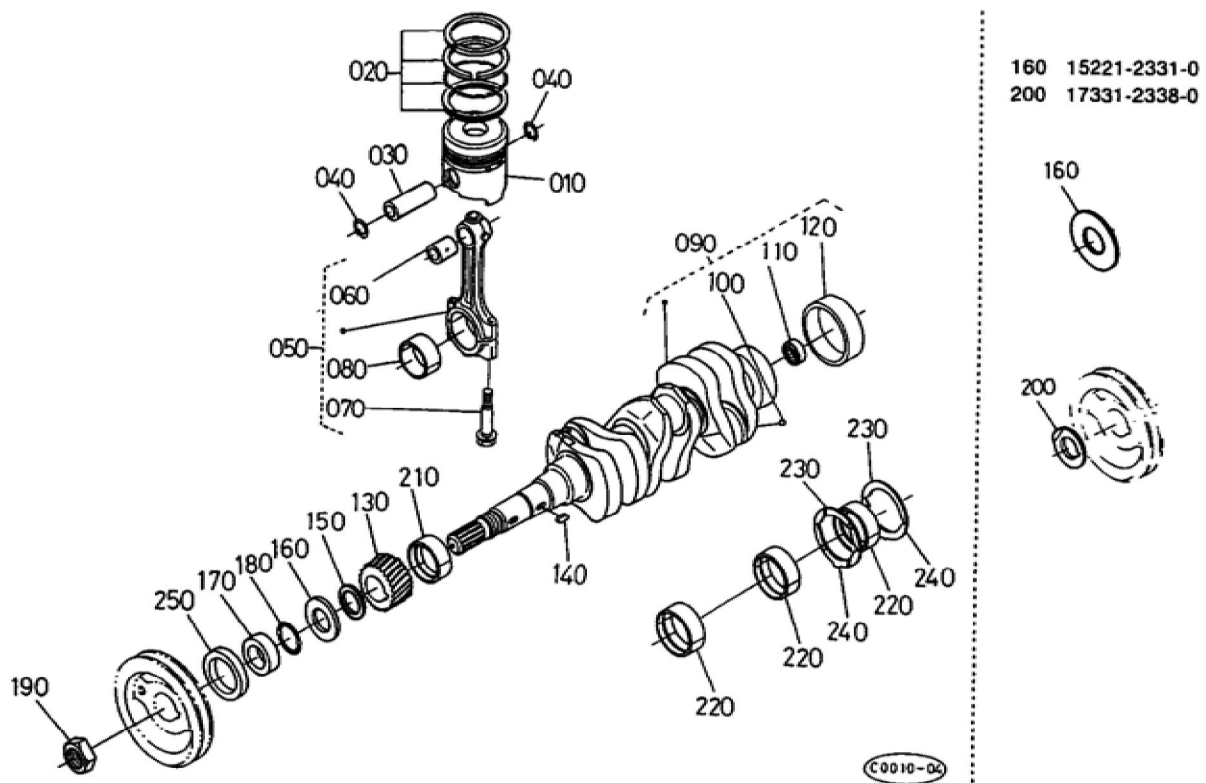


## BKIDK0067 &gt;&gt; L2550DT &gt;&gt; ENGINE / ENGINE &gt;&gt; T00200 OELWANNE / OIL PAN

Update Date : 27-04-2020 Print Date : 02-03-2022

No.	Part Number	Part Name (POL)	Part Name (ENG)	QTY	IC	Serial No./PIN	Kg	Remarks
010	15521-01610	OELWANNE	OIL PAN	1			2.800	
020	15301-01620	DICHTUNG	GASKET OIL PAN	1			0.000	
030	01133-51028	BOLZEN	BOLT	18			0.027	
040	01133-51025	SCHRAUBE	BOLT	2			0.023	
050	15261-33750	STOPFEN	PLUG	2			0.034	
060	15109-33660	DICHTUNGSP LATTE	GASKET	2			0.001	
070	15521-32110	OELFILTER	FILTER OIL	1			0.185	
080	01123-50814	BOLZEN	BOLT	1			0.010	
090	04811-00140	O RING	O RING	1			0.001	
100	17331-36410	OELMESSST AB	GAUGE OIL	1		<=20540	0.050	
100	17325-36410	OELMESSST AB	GAUGE OIL	1	=	=>20541	0.030	

Update Date : 27-04-2020 Print Date : 02-03-2022



Update Date : 27-04-2020 Print Date : 02-03-2022

No.	Part Number	Part Name (POL)	Part Name (ENG)	QTY	IC	Serial No./PIN	Kg	Remarks
010	19821-21110	KOLBEN	PISTON	3			0.565	STD
010	19821-21910	KOLBEN	PISTON	3			0.550	+0.50MM
020	15521-21050	GRP.KOLBEN RING	ASSY PISTON RING	3			0.060	STD
020	15521-21092	GRP.KOLBEN RING	ASSY PISTON RING	3			0.055	+0.50MM
030	14901-21310	KOLBENBOLZEN	PIN PISTON	3			0.170	
040	14109-21330	SPRENGRING	CLIP PISTON PIN	6			0.001	
050	17331-22010	GRP.PLEUELSTANGE	ASSY CONNECTING ROD	3		<=19882	0.790	
050	17311-22010	PLEUELSTANGE KOMP.	ASSY CONNECTING ROD	3	NI	=>19883	0.885	
060	17331-21980	BUCHSE,KOLBENSTIFT	BUSH PISTON PIN	3			0.025	
070	15521-22142	BOLZEN	BOLT CONNECTING ROD	6			0.026	
080	17331-22310	LAGERSCHALE	METAL CRANKPIN	3		<=19882	0.045	STD
080	17311-22310	LAGERSCHALE	METAL CRANKPIN	3	NI	=>19883	0.045	STD
080	17331-22970	LAGERSCHALE	METAL CRANKPIN	3			0.050	-0.20MM
080	17331-22980	LAGERSCHALE	METAL CRANKPIN	3			0.045	-0.40MM
090	17325-23010	KOMP.KURBELWELLE	COMP.CRANKSHAFT	1			14.000	
100	15221-33630	STOEPSELSTIFT	PLUG PIN	3		<=17790	0.001	
100	07715-03209	KUGEL	BALL	3	=	=>17791	0.002	
110	08121-06002	KUGELLAGER	BEARING BALL	1			0.030	
120	19202-23280	BUCHSE,KURBELWELLE	SLEEVE CRANKSHAFT	1			0.090	
130	15521-24110	ZAHNRAD	GEAR CRANKSHAFT	1			0.340	

Update Date : 27-04-2020 Print Date : 02-03-2022

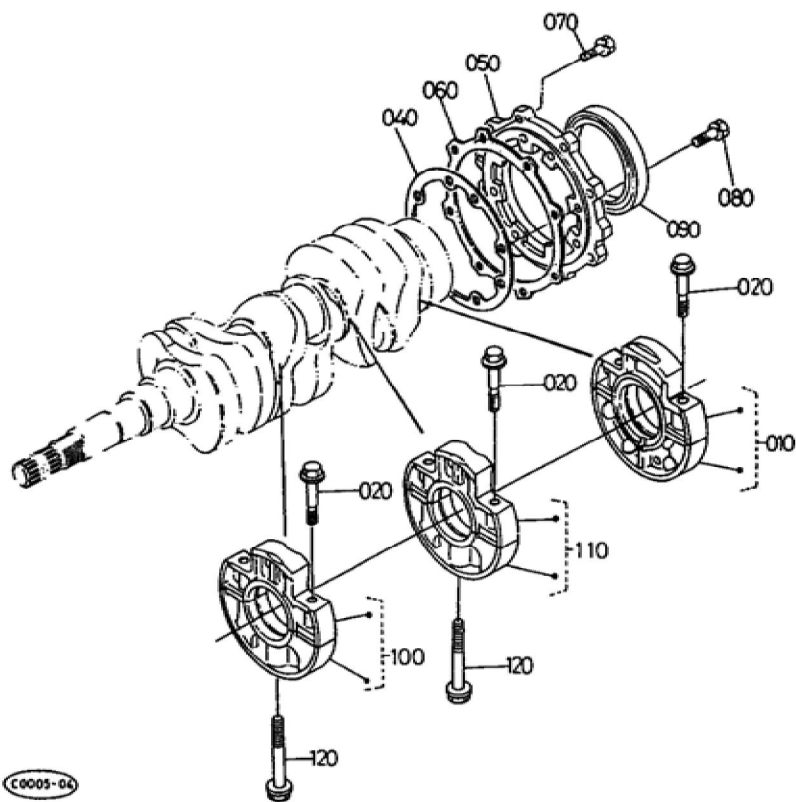
No.	Part Number	Part Name (POL)	Part Name (ENG)	QTY	IC	Serial No./PIN	Kg	Remarks
140	05712-00720	KEIL	KEY FEATHER	1			0.008	
150	15221-24130	HUELSE	COLLAR	1			0.015	
160	15221-23310	OELFANGRING	SLINGER OIL	1		<=20528	0.000	
160	15471-23312	RING	SLINGER OIL	1	>>	=>20529	0.008	
170	19202-23250	HALSRING	COLLAR CRANKSHAFT	1			0.065	
180	04811-10300	O RING	O RING	1			0.001	
190	15221-23360	MUTTER,KURBELWELLE	NUT CRANKSHAFT	1			0.110	
200	17331-23380	UNTERLEGS CHEIBE	WASHER CRANKSHAFT	1		<=20528	0.019	
210	17331-23470	LAGERSCHALE	METAL CRANKSHAFT	1		<=19882	0.060	STD
210	17311-23470	LAGERSCHALE	METAL CRANKSHAFT	1	NI	=>19883	0.060	STD
210	17331-23910	LAGERSCHALE	METAL CRANKSHAFT	1			0.000	-0.20MM
210	17331-23920	LAGERSCHALE	METAL CRANKSHAFT	1			0.000	-0.40MM
220	17331-23480	LAGERSCHALE	METAL CRANKSHAFT	3		<=19882	0.050	STD
220	17311-23480	LAGERSCHALE	METAL CRANKSHAFT	3	NI	=>19883	0.045	STD
220	17331-23930	LAGERSCHALE	METAL CRANKSHAFT	3			0.000	-0.20MM
220	17331-23940	LAGERSCHALE	METAL CRANKSHAFT	3			0.000	-0.40MM
230	15521-23530	LAGERSCHALE	METAL SIDE	2			0.010	STD
230	15221-23950	LAGERSCHALE	METAL SIDE	2			0.009	+0.20MM
230	15221-23960	LAGERSCHALE	METAL SIDE	2			0.009	+0.40MM
240	19202-23540	LAGERSCHALE	METAL SIDE	2			0.010	STD



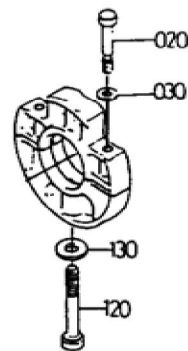
Update Date : 27-04-2020 Print Date : 02-03-2022

No.	Part Number	Part Name (POL)	Part Name (ENG)	QTY	IC	Serial No./PIN	Kg	Remarks
240	19202-23970	LAGERSCHALE	METAL SIDE	2			0.010	+0.20MM
240	19202-23980	LAGERSCHALE	METAL SIDE	2			0.010	+0.40MM
250	09550-00001	OELDICHTUNGSRING	SEAL OIL	1			0.015	

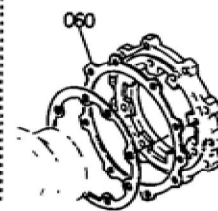
Update Date : 27-04-2020 Print Date : 02-03-2022



- 020 15521-0454-0
- 030 15521-9401-0
- 120 15291-0456-0
- 130 15521-9402-0



- 060 15221-0482-0





**Download the full PDF manual instantly.**

**Our customer service e-mail:**

**[aservicemanualpdf@yahoo.com](mailto:aservicemanualpdf@yahoo.com)**