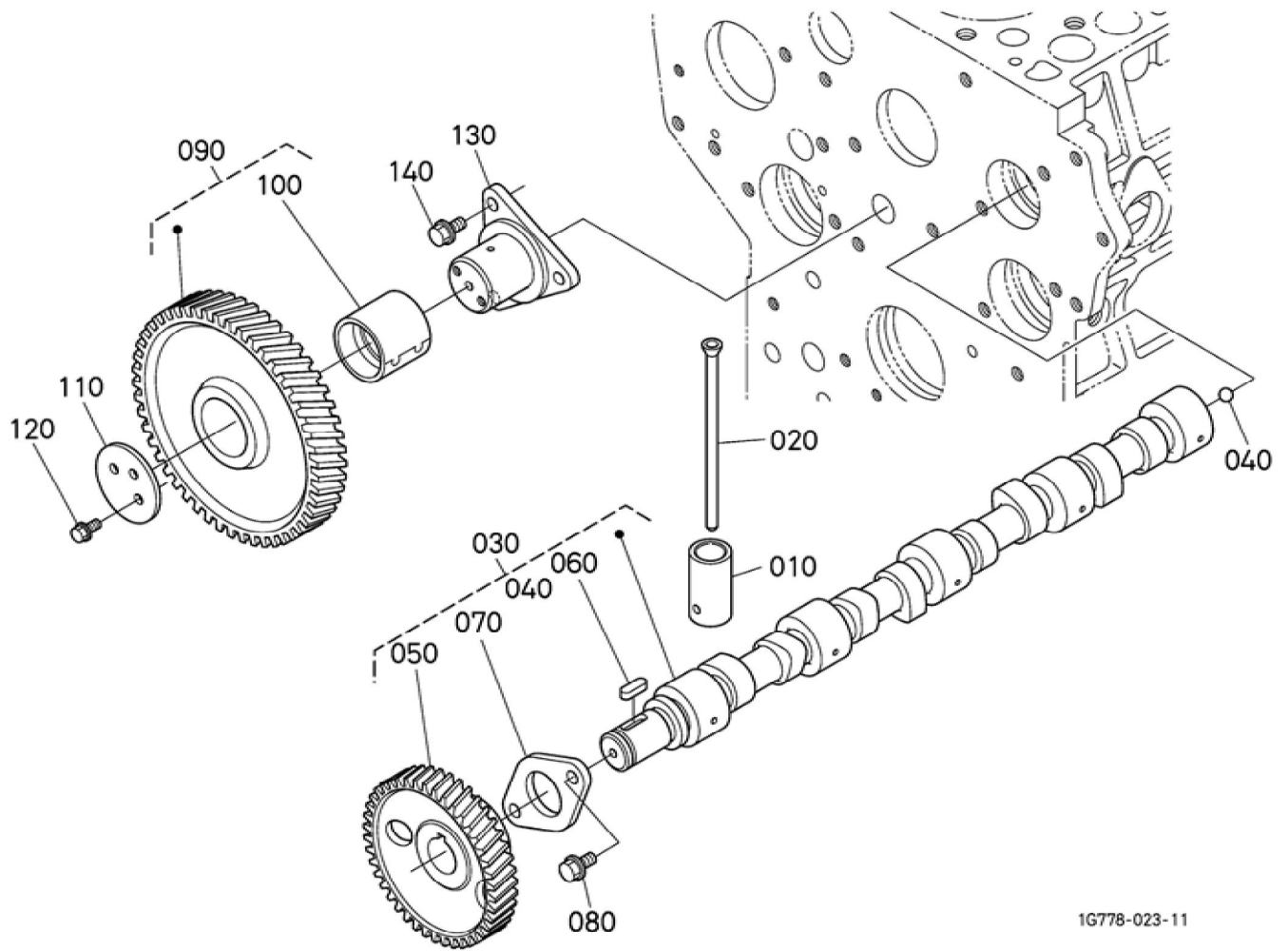


Update Date : 27-03-2020 Print Date : 06-03-2022

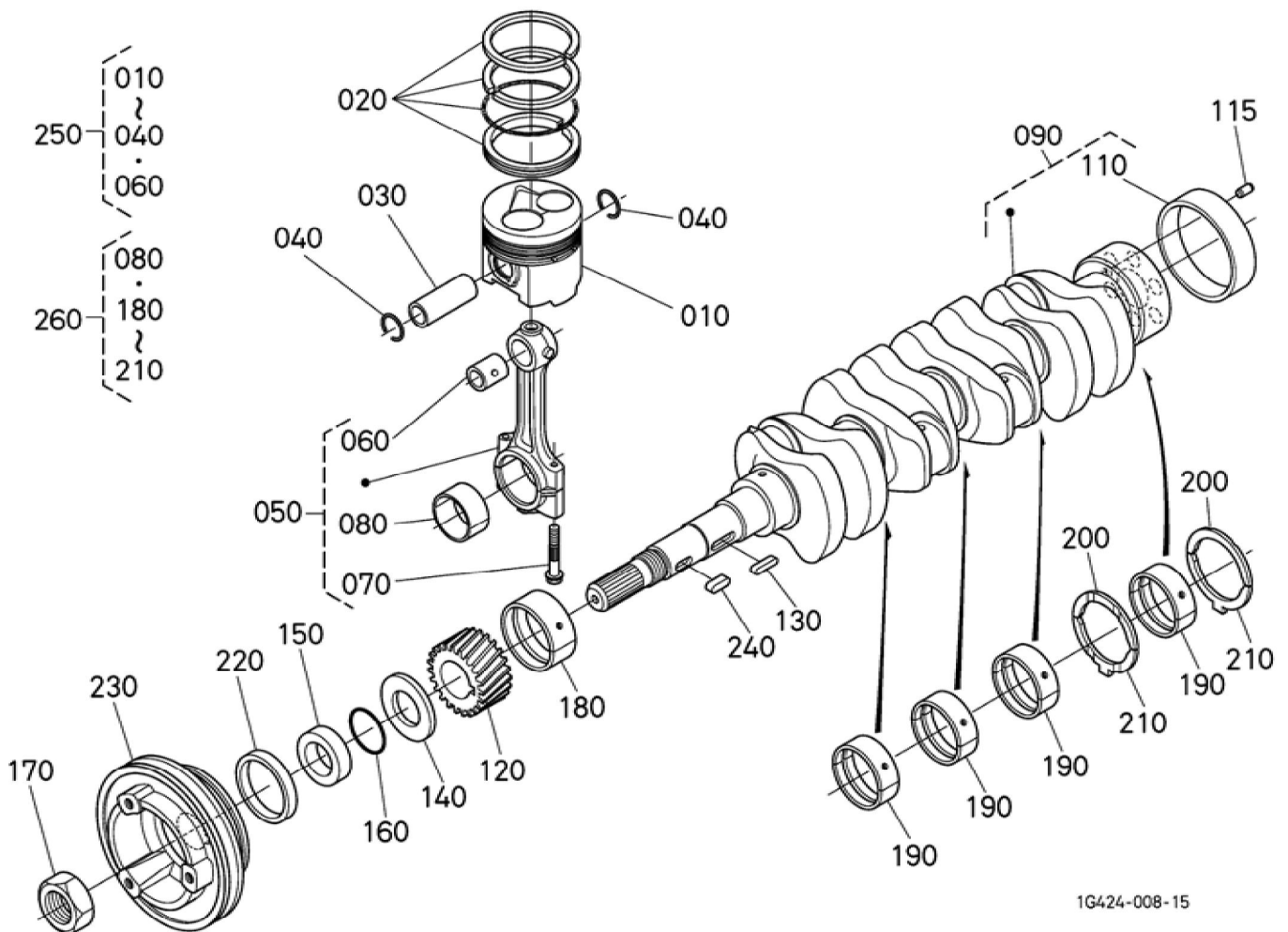


1G778-023-11

Update Date : 27-03-2020 Print Date : 06-03-2022

No.	Part Number	Part Name (POL)	Part Name (ENG)	QTY	IC	Serial No./PIN	Kg	Remarks
010	15601-15553	STOESSEL	TAPPET	8			0.080	
020	19013-15110	STOESSELST ANGE	ROD,PUSH	8			0.050	
030	1A091-16010	GRP.NOCKE NWELLE	CAMSHAFT,A SSY	1			3.100	
040	07715-00401	KUGEL	BALL 1/4	1			0.001	
050	1A091-16513	ZAHNRAD	GEAR,CAMS HAFT	1			0.800	
060	05712-00720	KEIL	KEY, FEATHER	1			0.008	
070	15221-16270	NOCKENWEL LENSPRERR PLATTE	STOPPER (CAMSHAFT)	1			0.073	
080	01754-50816	SCHRAUBE	BOLT,FLANG E	2			0.011	
090	1J854-24012	ZAHNRAD	GEAR,COMP (IDLE)	1			1.180	
100	1J860-24982	BUCHSE	BUSHING (IDLE GEAR)	1			0.070	
110	1J854-24370	HUELSE	COLLAR,IDLE GEAR	1			0.060	
120	01754-50610	SCHRAUBE	BOLT,FLANG E	2			0.006	
130	1A021-24254	WELLE	SHAFT,IDLE GEAR	1			0.685	
140	01754-50816	SCHRAUBE	BOLT,FLANG E	3			0.011	

Update Date : 27-03-2020 Print Date : 06-03-2022



1G424-008-15

Update Date : 27-03-2020 Print Date : 06-03-2022

No.	Part Number	Part Name (POL)	Part Name (ENG)	QTY	IC	Serial No./PIN	Kg	Remarks
010	1A091-21114	KOLBEN	PISTON	4			0.545	STD
010	1A091-21904	KOLBEN	PISTON	4			0.545	+0.25mm
020	1A091-21050	GRP.KOLBEN RING	ASSY PISTON RING	4			0.055	STD
020	1A091-21090	GRP.KOLBEN RING	ASSY PISTON RING	4			0.045	+0.25mm
030	1A021-21310	KOLBENBOLZEN	PISTON PIN	4			0.165	
040	1G279-21330	SPRENGRING	CIR CLIP,INTERNAL	8			0.004	
050	17311-22014	PLEUELSTANGE KOMP.	ROD,CONNECTING,ASSY	4			0.800	
060	17331-21982	BUCHSE,KOLBENSTIFT	BUSH,PISTON PIN	4			0.025	
070	1J700-22140	BOLZEN	BOLT,CONNECTING ROD	8			0.025	
080	17311-22312	LAGERSCHALE	METAL,CRANKPIN	4			0.045	STD SET
080	17311-22970	LAGERSCHALE	METAL (CRANKPIN,02)	4			0.050	-0.20mm/SET
080	17311-22980	LAGERSCHALE	METAL (CRANKPIN,04)	4			0.045	-0.40mm/SET
090	1G790-23020	KOMP.KURBELWELLE	COMP.CRANKSHAFT	1		<=7KHZ999	16.500	
090	1J806-23020	KOMP.KURBELWELLE	CRANKSHAFT,COMP	1	>>	>=7KJ0001	16.500	
110	19202-23280	BUCHSE,KURBELWELLE	BUSH,CRANKSHAFT	1			0.095	
115	1A021-23192	ZYLINDERSTIFT	PIN,STRAIGHT	1			0.005	
120	1A081-24110	ZAHNRAD	GEAR,CRANKSHAFT	1			0.415	
130	05712-00728	KEIL	KEY,FEATHER	1			0.010	
140	15471-23312	RING	OIL SLINGER	1			0.008	
150	19202-23250	HALSRING	COLLAR,CRANKSHAFT	1			0.065	



Download the full PDF manual instantly.

Our customer service e-mail:

aservicemanualpdf@yahoo.com