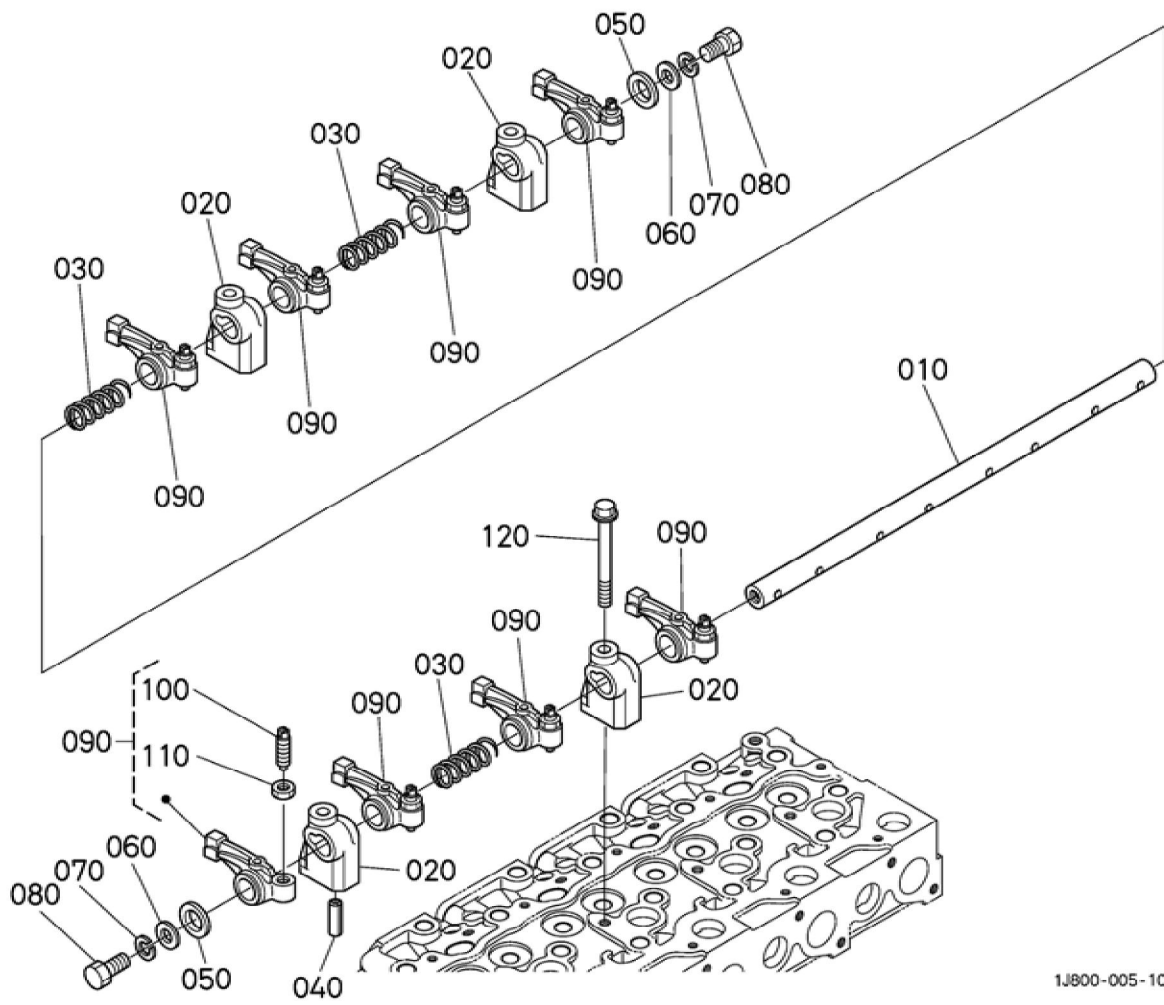
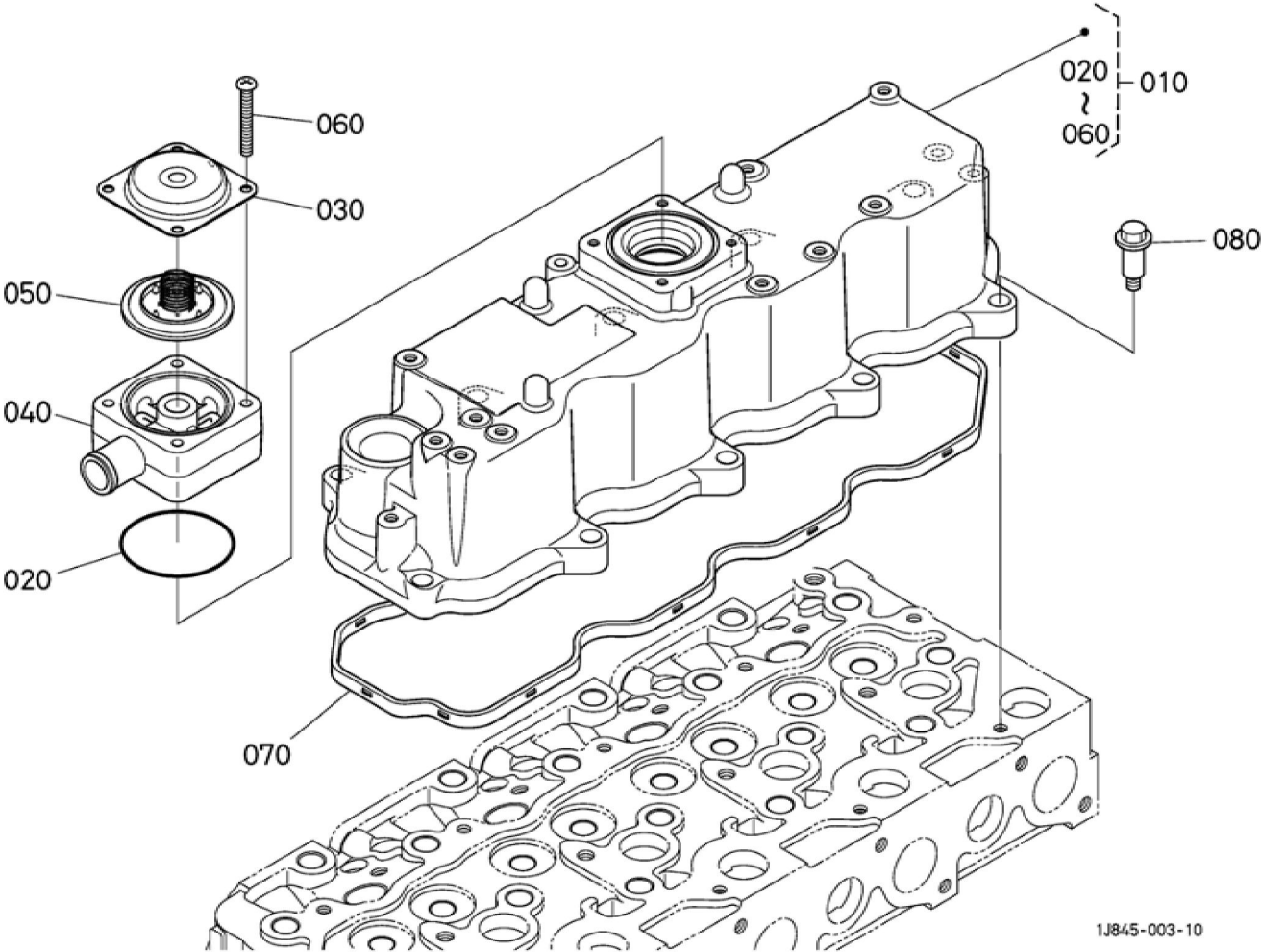


Update Date : 07-01-2021 Print Date : 10-03-2022



Update Date : 07-01-2021 Print Date : 10-03-2022

No.	Part Number	Part Name (POL)	Part Name (ENG)	QTY	IC	Serial No./PIN	Kg	Remarks
010	1A091-14260	KIPPHEBELWELLE	SHAFT (ROCKER ARM)	1			0.313	
020	15221-14353	KIPPHEBELHALTER	BRACKET,ROCKER ARM	4			0.044	
030	15221-14310	FEDER,KIPPHEBEL	SPRING (ARM,ROCKER)	3			0.005	
040	05411-00528	STIFT	SPRING PIN	1			0.003	
050	15221-14430	SCHEIBE	WASHER,RARM SHAFT	2			0.002	
060	04013-50080	SCHEIBE	WASHER,PLAIN	2			0.003	
070	04512-50080	FEDERRING	WASHER,SPRING LOCK	2			0.002	
080	01153-50812	BOLZEN	HEX.BOLT	2			0.008	
090	15621-14030	GRP.KIPPHEBEL	ARM,ROCKER,ASSY	8			0.100	
100	1G896-14230	STELLSCHRAUBE	SCREW	8			0.010	
110	15021-14240	MUTTER	NUT	8			0.003	
120	01754-50855	SCHRAUBE	BOLT,FLANGE	4			0.020	



BKIDK5384 >> L2-622HSTC >> MOTOR / ENGINE >> 505000 DECKEL OBEN / HEAD COVER

Update Date : 07-01-2021 Print Date : 10-03-2022

No.	Part Number	Part Name (POL)	Part Name (ENG)	QTY	IC	Serial No./PIN	Kg	Remarks
010	1J844-14572	DECKEL OBEN, KOMP.	COVER,HEAD ,SUB-ASSY	1			1.570	
020	1G924-05430	O RING	O-RING	1			0.001	
030	1J843-05122	ENTLUEFTER DECKEL	COVER (BREATHER)	1			0.000	
040	1J843-14670	DISTANZSCH EIBE	SPACER (BREATHER)	1			0.000	
050	1G911-05203	ENTLUEFTER	COMP VALVE,BREA THER	1			0.010	
060	03054-50540	SCHRAUBE	SCREW,PAN HEAD (PHILLIPS)	4			0.003	
070	1G911-14523	VENTILDECK ELDICHTUNG	GASKET,HEA D COVER	1			0.025	
080	1G911-91022	BOLZEN	BOLT	10			0.015	



Download the full PDF manual instantly.

Our customer service e-mail:

aservicemanualpdf@yahoo.com