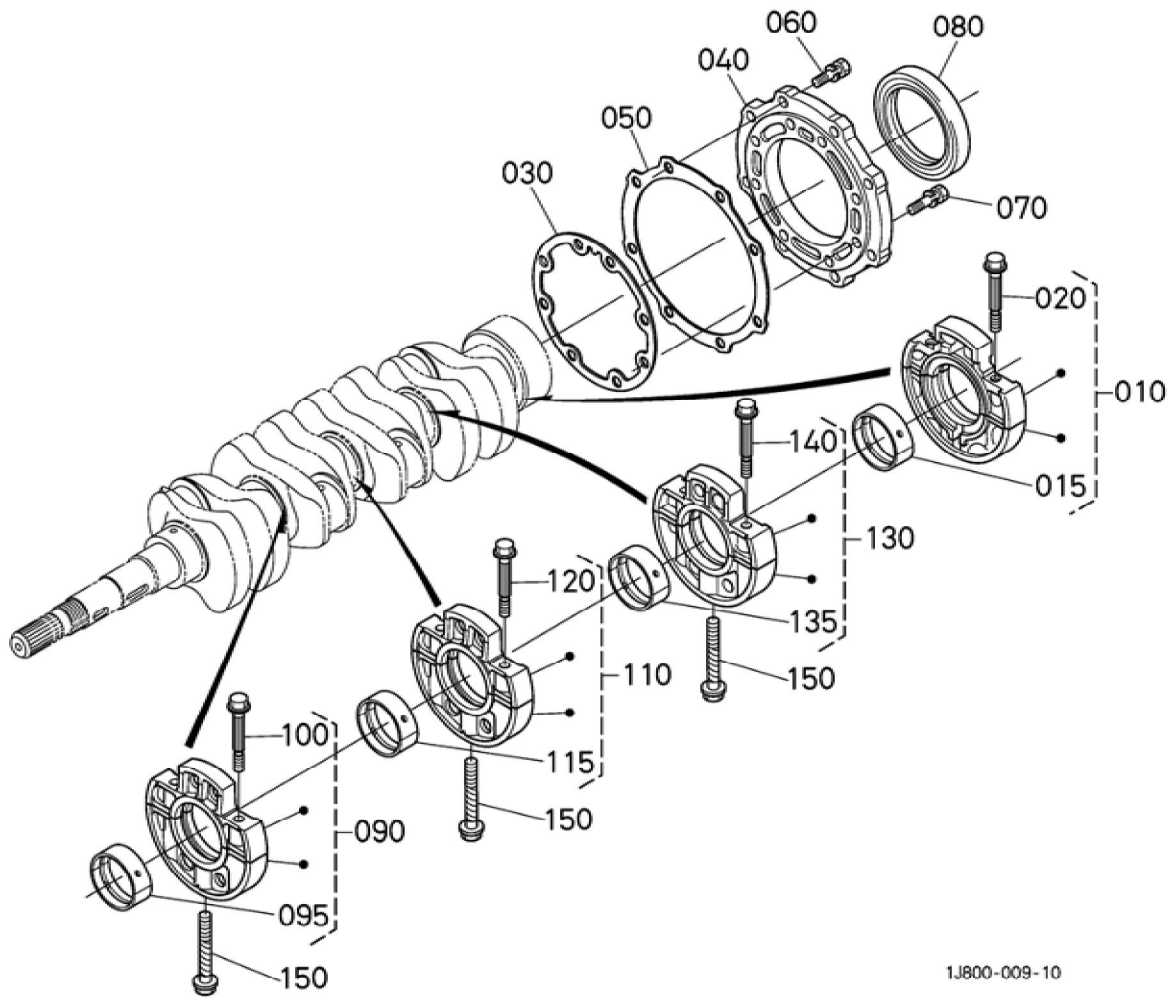


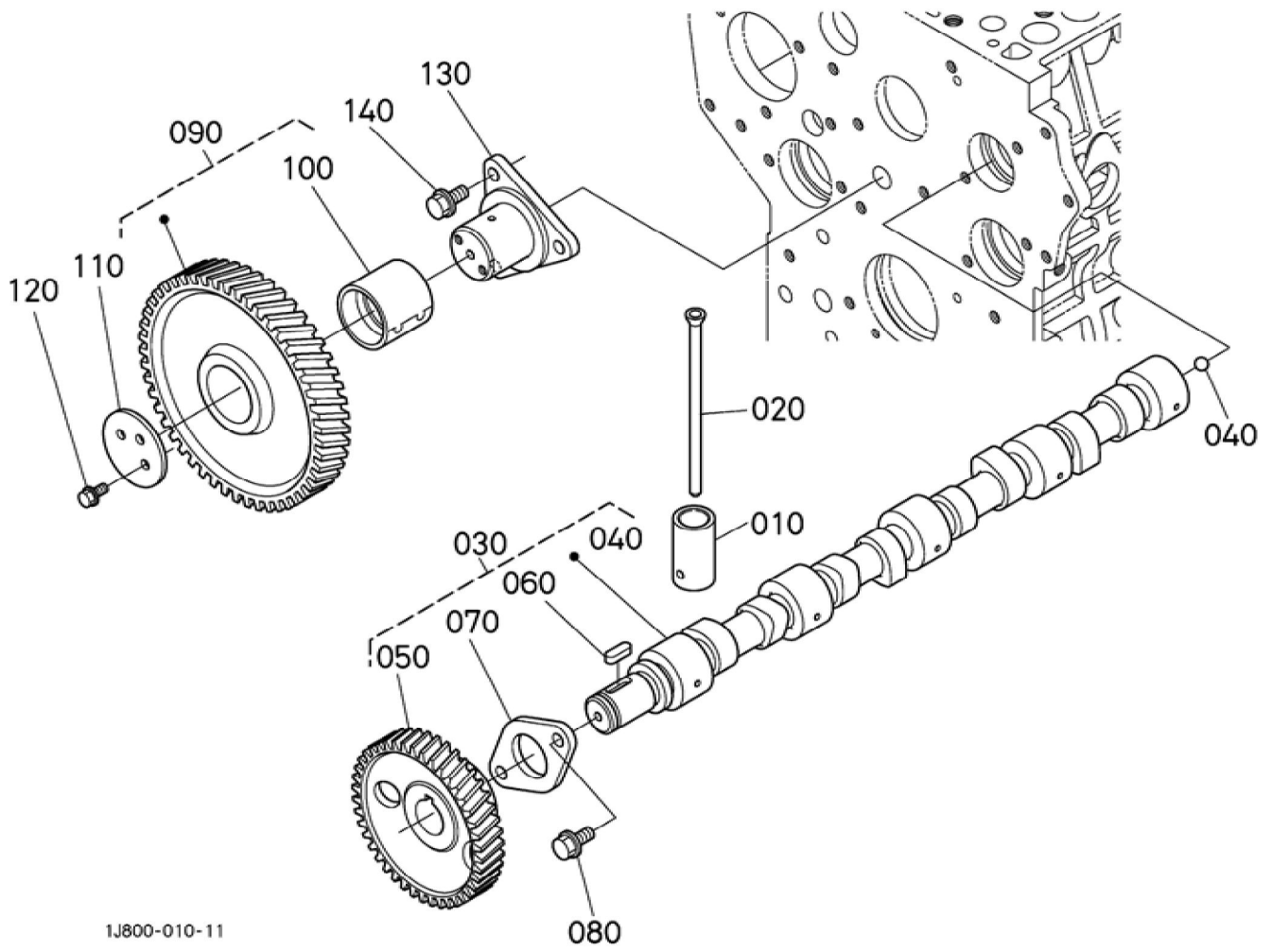
Update Date : 07-01-2021 Print Date : 09-03-2022



Update Date : 07-01-2021 Print Date : 09-03-2022

| No. | Part Number | Part Name (POL) | Part Name (ENG) | QTY | IC | Serial No./PIN | Kg | Remarks |
|-----|-------------|---------------------|---------------------|-----|----|----------------|-------|---------|
| 010 | 1A091-07095 | GRP.LAGERGEHAEUSE | ASSY BRG.CASE,WHEEL | 1 | | | 1.435 | |
| 015 | 1A091-23482 | LAGERSCHAULE | METAL,CRANKSHAFT | 1 | | | 0.050 | STD SET |
| 020 | 1A091-04540 | BOLZEN, LAGERKASTEN | BOLT,BEARING CASE | 2 | | | 0.035 | |
| 030 | 1A091-04362 | DICHTUNG | GASKET,BEARING CASE | 1 | | | 0.020 | |
| 040 | 1G851-04813 | DECKEL,LAGERKASTEN | COVER,BEARING CASE | 1 | | | 0.495 | |
| 050 | 1A091-04820 | DICHTUNG | GASKET,CASE COVER | 1 | | | 0.009 | |
| 060 | 01123-50825 | BOLZEN | BOLT,SEMS | 8 | | | 0.013 | |
| 070 | 01123-50828 | BOLZEN | BOLT,SEMS | 8 | | | 0.014 | |
| 080 | 16433-04460 | OELDICHTUNGSRING | SEAL,OIL | 1 | | | 0.063 | |
| 090 | 1A071-07044 | GRP.LAGERGEHAEUSE | ASSY BRG.CASE,MAIN | 1 | | | 1.400 | |
| 095 | 1A091-23482 | LAGERSCHAULE | METAL,CRANKSHAFT | 1 | | | 0.050 | STD SET |
| 100 | 1A091-04540 | BOLZEN, LAGERKASTEN | BOLT,BEARING CASE | 2 | | | 0.035 | |
| 110 | 1A071-07054 | GRP.LAGERGEHAEUSE | ASSY BRG.CASE,MAIN | 1 | | | 1.400 | |
| 115 | 1A091-23482 | LAGERSCHAULE | METAL,CRANKSHAFT | 1 | | | 0.050 | STD SET |
| 120 | 1A091-04540 | BOLZEN, LAGERKASTEN | BOLT,BEARING CASE | 2 | | | 0.035 | |
| 130 | 1A071-07064 | GRP.LAGERGEHAEUSE | ASSY BRG.CASE,MAIN | 1 | | | 1.400 | |
| 135 | 1A091-23482 | LAGERSCHAULE | METAL,CRANKSHAFT | 1 | | | 0.050 | STD SET |
| 140 | 1A091-04540 | BOLZEN, LAGERKASTEN | BOLT,BEARING CASE | 2 | | | 0.035 | |
| 150 | 15601-04560 | BOLZEN, LAGERKASTEN | BOLT,BEARING CASE | 3 | | | 0.060 | |

Update Date : 07-01-2021 Print Date : 09-03-2022



Update Date : 07-01-2021 Print Date : 09-03-2022

| No. | Part Number | Part Name (POL) | Part Name (ENG) | QTY | IC | Serial No./PIN | Kg | Remarks |
|-----|-------------|----------------------------------|------------------------|-----|----|----------------|-------|---------|
| 010 | 15601-15553 | STOESSEL | TAPPET | 8 | | | 0.080 | |
| 020 | 1A091-15110 | STOESSELST ANGE | ROD,PUSH | 8 | | | 0.042 | |
| 030 | 1G852-16010 | GRP.NOCKE NWELLE | ASSY CAMSHAFT | 1 | | | 3.100 | |
| 040 | 07715-00401 | KUGEL | BALL 1/4 | 1 | | | 0.001 | |
| 050 | 1A091-16513 | ZAHNRAD | GEAR,CAMS HAFT | 1 | | | 0.800 | |
| 060 | 05712-00720 | KEIL | KEY, FEATHER | 1 | | | 0.008 | |
| 070 | 15221-16270 | NOCKENWEL LENSPRERR PLATTE | STOPPER (CAMSHAFT) | 1 | | | 0.073 | |
| 080 | 01754-50816 | SCHRAUBE | BOLT,FLANG E | 2 | | | 0.011 | |
| 090 | 1J854-24012 | ZAHNRAD | GEAR,COMP (IDLE) | 1 | | | 1.180 | |
| 100 | 1J860-24982 | BUCHSE | BUSHING (IDLE GEAR) | 1 | | | 0.070 | |
| 110 | 1J854-24370 | HUELSE | COLLAR,IDLE GEAR | 1 | | | 0.060 | |
| 120 | 01754-50610 | SCHRAUBE | BOLT,FLANG E | 2 | | | 0.006 | |
| 130 | 1A021-24254 | WELLE | SHAFT,IDLE GEAR | 1 | | | 0.685 | |
| 140 | 01754-50816 | SCHRAUBE | BOLT,FLANG E | 3 | | | 0.011 | |



Download the full PDF manual instantly.

Our customer service e-mail:

aservicemanualpdf@yahoo.com