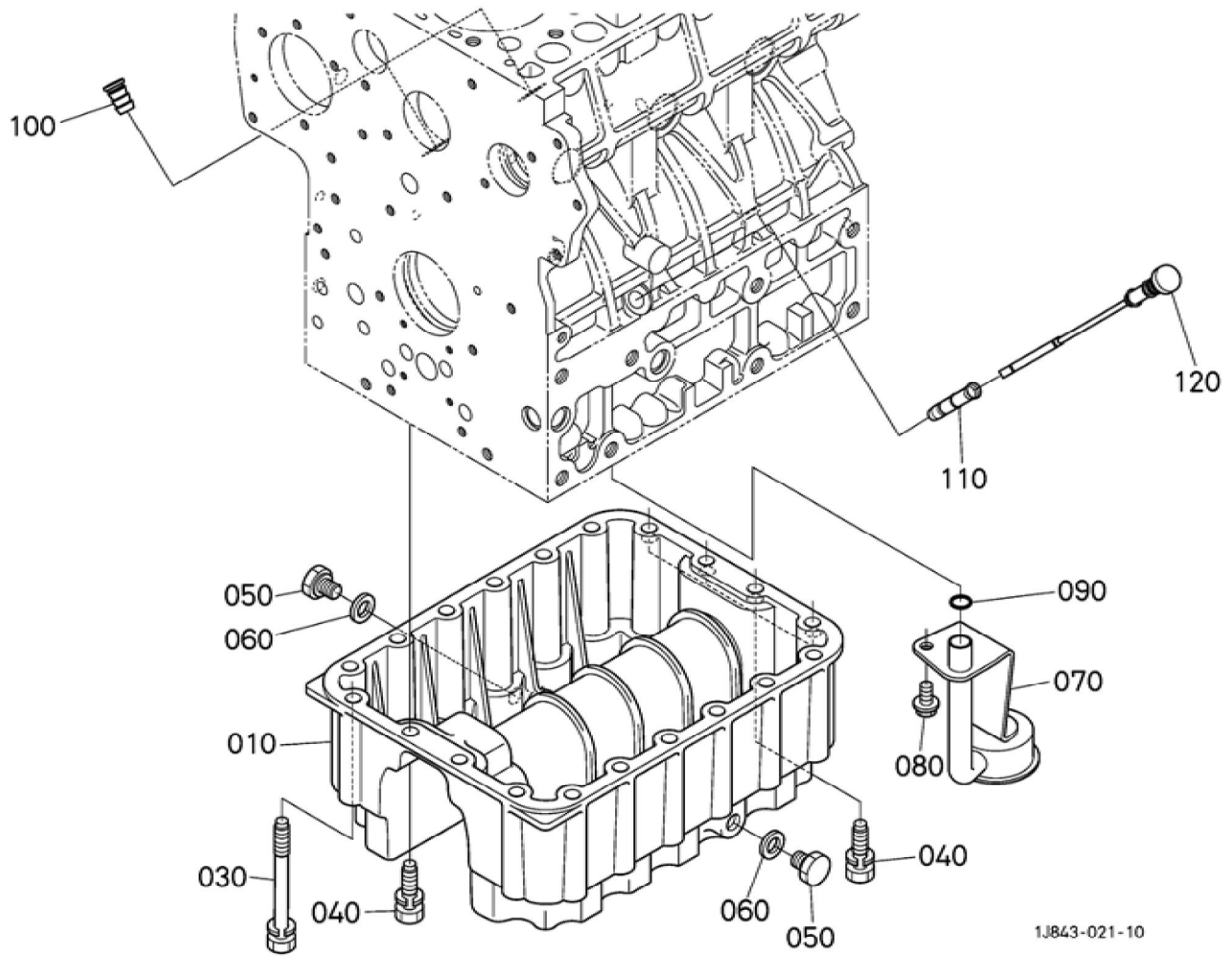


## BKIDK5390 &gt;&gt; L1-382HST &gt;&gt; MOTOR / ENGINE &gt;&gt; 500000 KURBELGHAEUSE / CRANKCASE

Update Date : 07-01-2021 Print Date : 02-03-2022

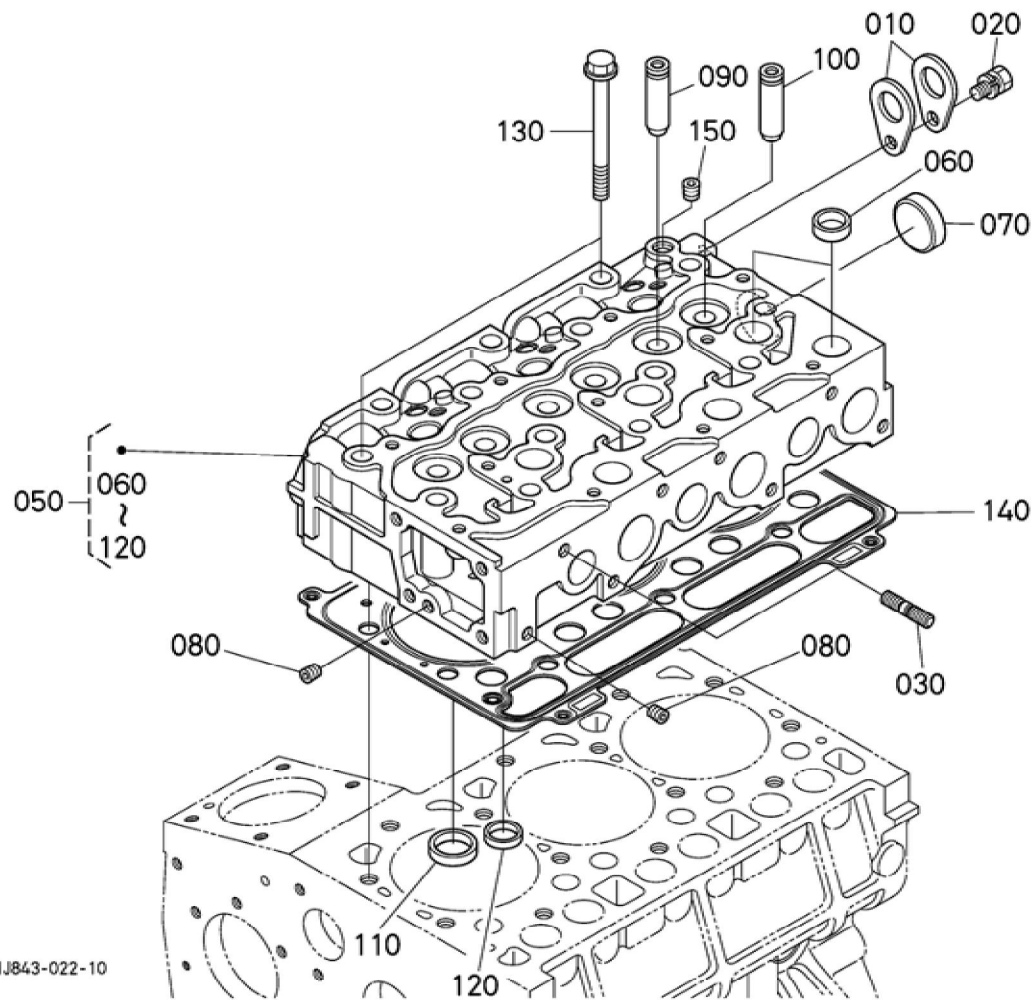
No.	Part Number	Part Name (POL)	Part Name (ENG)	QTY	IC	Serial No./PIN	Kg	Remarks
010	1A328-01013	KOMP.KURBELGEHAEUSE	CRANKCASE, COMP	1			57.000	
020	15521-96020	STOPFEN	PLUG	4			0.003	
030	15521-96030	STOPFEN	PLUG	2			0.007	
040	17391-96160	STOPFEN	PLUG,EXPANSION	3			0.003	
050	16271-96160	STOPFEN	PLUG,EXPANSION	1			0.025	
060	15221-03380	STOPFEN	CAP,SEALING	3			0.017	
070	1J860-71010	KOMP.WASSERROHR	PIPE,COMP	1			0.063	
080	1J812-71010	ROHR,KOMP.	PIPE,COMP	1			0.080	
090	15221-03390	STOPFEN	CAP,SEALING	2			0.030	
100	05012-00609	ZYLINDERSTIFT	PIN,STRAIGHT	2			0.003	
110	05012-00612	ZYLINDERSTIFT	PIN, STRAIGHT	2			0.003	
120	05012-01018	ZYLINDERSTIFT	PIN,STRAIGHT	1			0.012	
130	15221-33650	ROHRSTIFT	PIN,PIPE	1			0.004	
140	1A328-73340	ROHR	PIPE	1			0.030	
150	1G896-33610	BOLZEN	PLUG	1			0.008	
160	15021-33660	DICHTUNGSPLATTE	PACKING	1			0.001	
170	15471-35013	GRP.OELPUMPE	ASSY PUMP,OIL	1			0.550	
180	1A021-35150	DICHTUNGSPLATTE	GASKET,OIL PUMP	1			0.001	
190	01023-50650	BOLZEN	BOLT,SEMS	4			0.012	
200	1G896-35660	ZAHNRAD	GEAR,OIL PUMP DRIVE	1			0.135	
210	05712-00410	KEIL	KEY,FEATHER	1			0.001	
220	15221-35682	MUTTER	NUT	1			0.014	
230	1J455-39050	ZWISCHENSTUECK	ADAPTER (SWITCH,OIL)	1			0.030	



## BKIDK5390 &gt;&gt; L1-382HST &gt;&gt; MOTOR / ENGINE &gt;&gt; 501000 OELWANNE / OIL PAN

Update Date : 07-01-2021 Print Date : 02-03-2022

No.	Part Number	Part Name (POL)	Part Name (ENG)	QTY	IC	Serial No./PIN	Kg	Remarks
010	1J830-01610	OELWANNE	OIL PAN	1			3.550	
030	01133-51002	BOLZEN	BOLT,SEMS	14			0.070	
040	1A091-91010	BOLZEN	BOLT,SEMS	6			0.025	
050	16427-33750	ENTLEERUNGSSTOPFEN	PLUG,DRAIN	2			0.030	
060	6C090-58960	DICHTUNGSPLATTE	GASKET	2			0.005	
070	1A328-32110	OELFILTER	FILTER(OIL,1)	1			0.240	
080	01754-50812	SCHRAUBE	BOLT,FLANGE	1			0.008	
090	04817-00160	O RING	O RING	1			0.001	
100	1G513-36550	STOPFEN, OELMESSSTAB	PLUG,OIL GAUGE	2			0.004	
110	17456-36420	FUEHRUNG, OELMESSSTAB	GUIDE (GAUGE,OIL)	1			0.030	
120	1J864-36412	OELMESSSTAB	GAUGE,OIL	1			0.020	

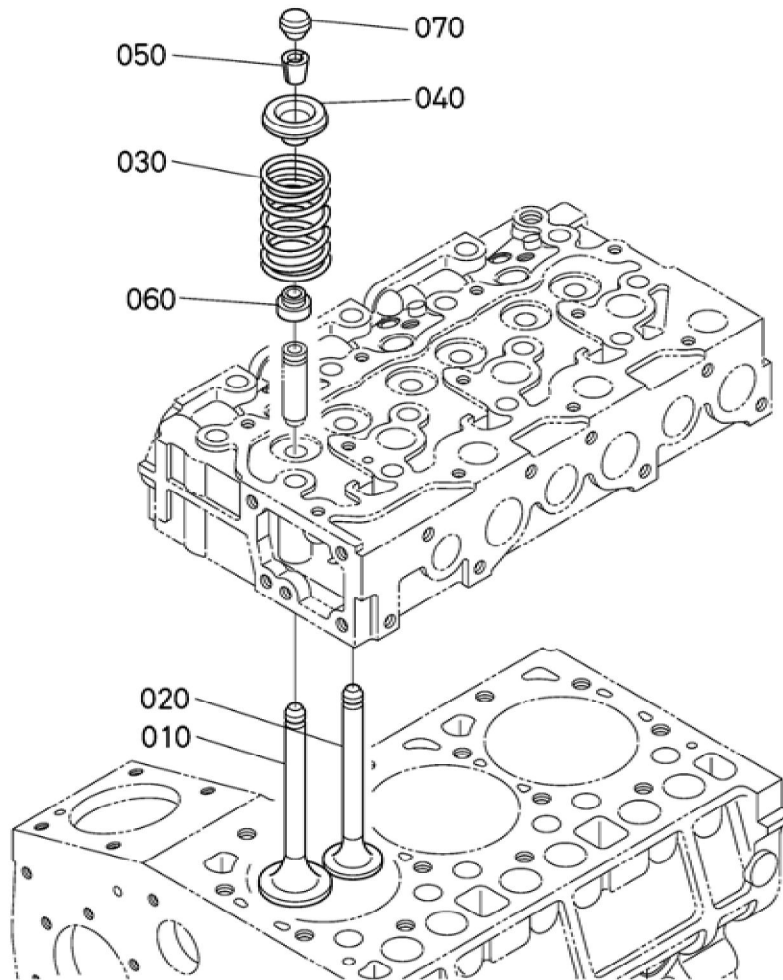


## BKIDK5390 &gt;&gt; L1-382HST &gt;&gt; MOTOR / ENGINE &gt;&gt; 502000 ZYLINDERKOPF / CYLINDER HEAD

Update Date : 07-01-2021 Print Date : 02-03-2022

No.	Part Number	Part Name (POL)	Part Name (ENG)	QTY	IC	Serial No./PIN	Kg	Remarks
010	15221-01750	MOTORHAKE N	HOOK,ENGIN E	2			0.040	
020	01123-50816	SCHRAUBE	BOLT,SEMS	1			0.011	
030	15471-91530	STEBOLZEN	BOLT,STUD	1			0.010	
050	1J820-03040	KOMP.ZYLIN DERKOPF	HEAD,CYLIN DER,COMP	1			15.000	
060	15221-03370	STOPFEN	PLUG,CUP TYPE	9			0.010	
070	15221-03490	STOPFEN	CAP,SEALING	1			0.020	
080	15261-96010	STOPFEN	PLUG	2			0.002	
090	1J829-13580	VENTILFUEH RUNG	GUIDE,VALVE (INLET)	3			0.020	
100	1J829-13560	VENTILFUEH RUNG	GUIDE,VALVE (EXHAUST)	3			0.020	
110	1J812-13620	VENTILSITZ	SEAT,VALVE (INLET)	3			0.010	
120	1J812-13610	VENTILSITZA USPUFF	SEAT,VALVE (EXHAUST)	3			0.010	
130	19013-03450	ZYLINDERKO PFSCHRAUB E	BOLT,HEAD (CYLINDER)	14			0.077	
140	1J820-03310	DICHTUNG	GASKET (HEAD,CYLIN DER 120)	1			0.220	1.20mm
140	1J820-03600	DICHTUNG	GASKET (HEAD,CYLIN DER 115)	1			0.220	1.15mm
140	1J820-03610	DICHTUNG	GASKET (HEAD,CYLIN DER 125)	1			0.220	1.25mm
140	1J820-03620	DICHTUNG	GASKET (HEAD,CYLIN DER 130)	1			0.220	1.30mm
140	1J820-03630	DICHTUNG	GASKET (HEAD,CYLIN DER 135)	1			0.220	1.35mm
150	15841-96020	STOPFEN	PLUG	1			0.020	

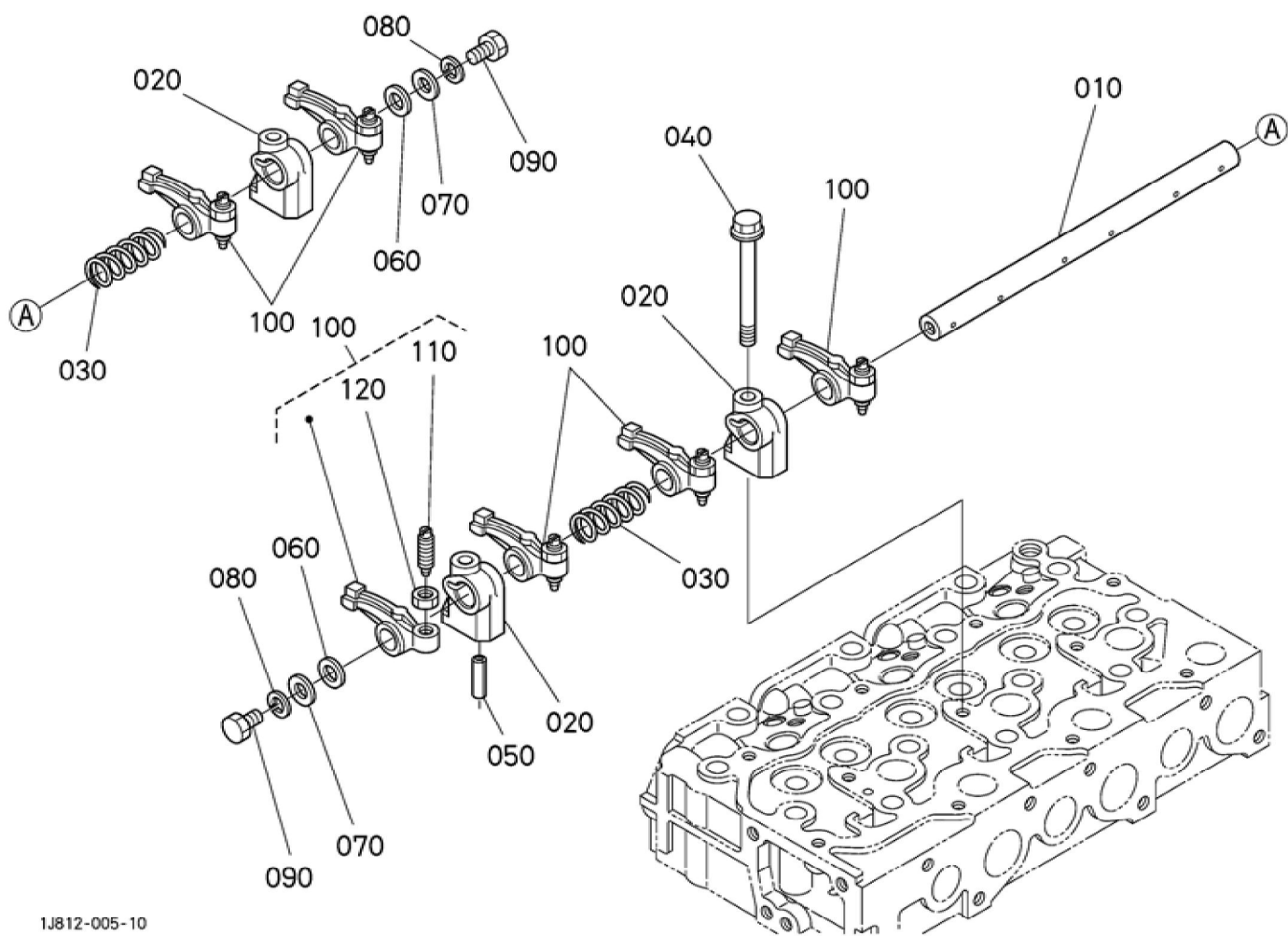
Update Date : 07-01-2021 Print Date : 02-03-2022



Update Date : 07-01-2021 Print Date : 02-03-2022

No.	Part Number	Part Name (POL)	Part Name (ENG)	QTY	IC	Serial No./PIN	Kg	Remarks
010	1G852-13114	VENTIL	VALVE,INLET	3			0.080	
020	1G852-13124	VENTIL	VALVE,EXHAUST	3			0.065	
030	1G896-13240	VENTIL-FEDER	SPRING,VALVE	6			0.040	
040	15221-13330	HALTER	RETAINER,VALVE SP.	6			0.028	
050	15221-13980	KLEMMSCHEIBE	COLLET,VALVE SPRING	6			0.005	SET
060	15221-13153	VENTILDICHTUNG	SEAL(VALVE STEM)	6			0.002	
070	1G896-13280	VENTILKAPPE	CAP(VALVE)	6			0.005	

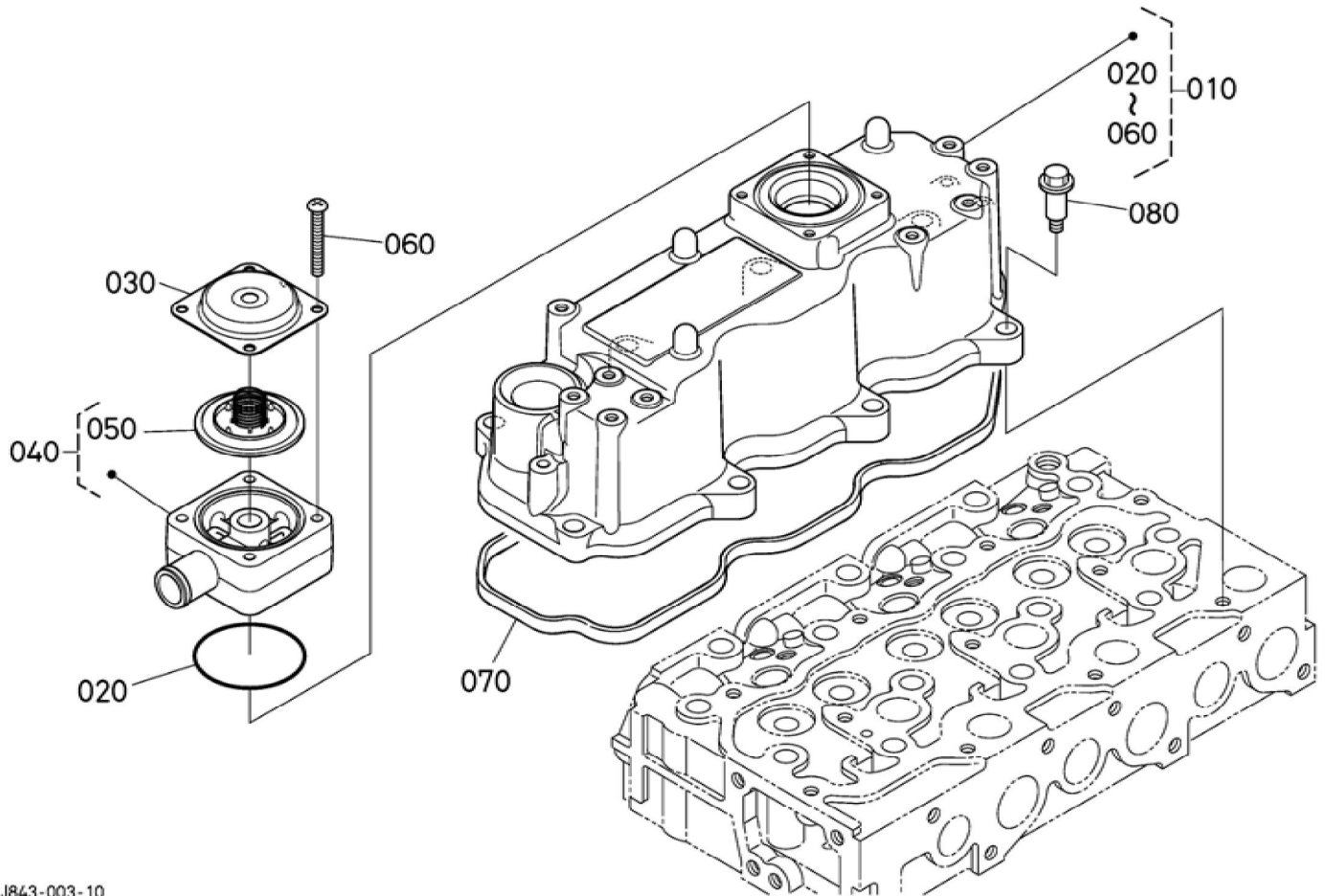




## BKIDK5390 &gt;&gt; L1-382HST &gt;&gt; MOTOR / ENGINE &gt;&gt; 504000 KIPPENARMWELLE / ROCKER ARM SHAFT

Update Date : 07-01-2021 Print Date : 02-03-2022

No.	Part Number	Part Name (POL)	Part Name (ENG)	QTY	IC	Serial No./PIN	Kg	Remarks
010	1A021-14260	KIPPHEBELWELLE	SHAFT (ROCKER ARM)	1			0.225	
020	15221-14353	KIPPHEBELHALTER	BRACKET,ROCKER ARM	3			0.044	
030	15221-14310	FEDER,KIPPHEBEL	SPRING (ARM,ROCKER)	2			0.005	
040	01754-50855	SCHRAUBE	BOLT,FLANGE	3			0.020	
050	05411-00528	STIFT	SPRING PIN	1			0.003	
060	15221-14430	SCHEIBE	WASHER,R.ARM SHAFT	2			0.002	
070	04013-50080	SCHEIBE	WASHER,PLAIN	2			0.003	
080	04512-50080	FEDERRING	WASHER,SPRING LOCK	2			0.002	
090	01153-50812	BOLZEN	HEX.BOLT	2			0.008	
100	15621-14030	GRP.KIPPHEBEL	ARM,ROCKER,ASSY	6			0.100	
110	1G896-14230	STELLSCHRAUBE	SCREW	6			0.010	
120	15021-14240	MUTTER	NUT	6			0.003	





**Download the full PDF manual instantly.**

**Our customer service e-mail:**

**[aservicemanualpdf@yahoo.com](mailto:aservicemanualpdf@yahoo.com)**