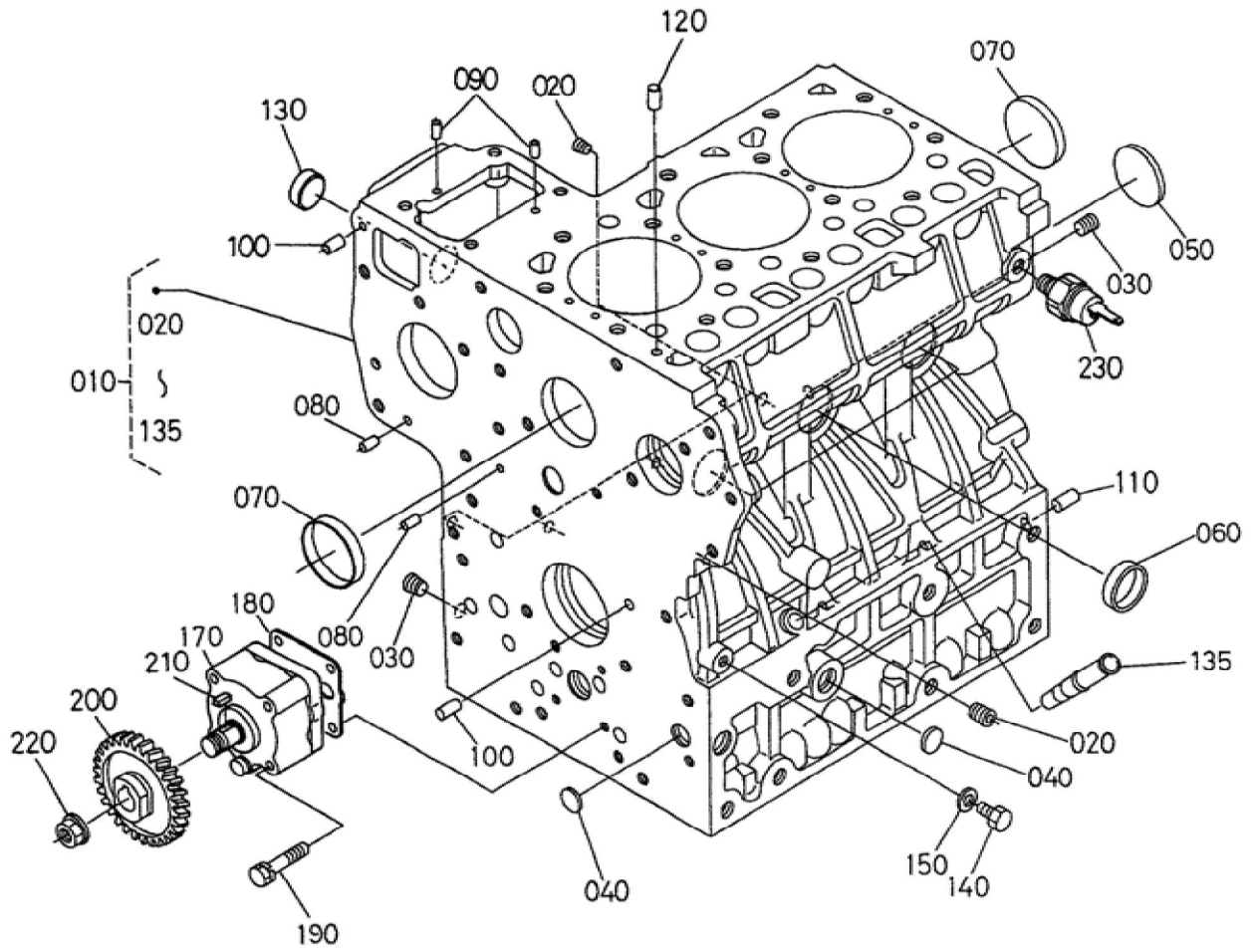


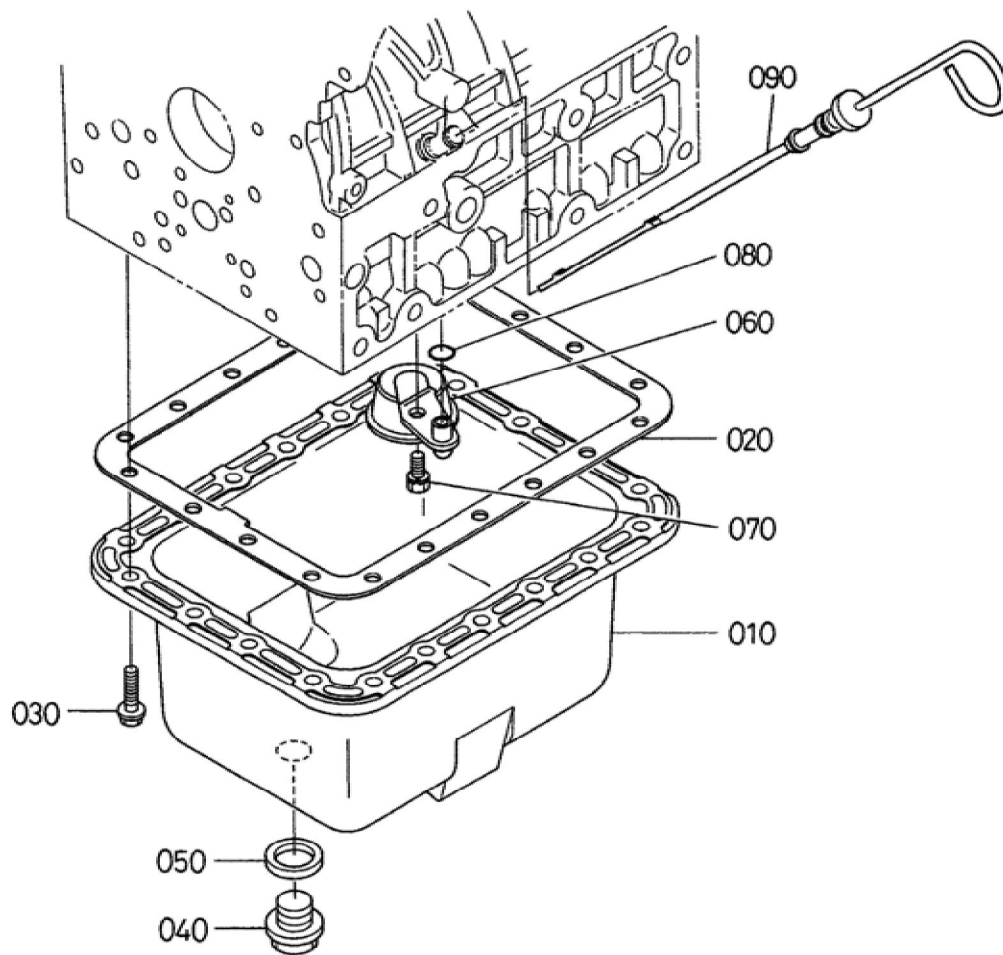
Update Date : 2019/12/13 Print Date : 2022/02/21



Update Date : 2019/12/13 Print Date : 2022/02/21

No.	Part Number	Part Name (POL)	Part Name (ENG)	QTY	IC	Serial No./PIN	Kg	Remarks
010	1A053-01010	KOMP.KURBELGEHAEUSE	COMP.CRANKCASE	1			48.500	
020	15521-96020	STOPFEN	PLUG	5			0.003	
030	15521-96030	STOPFEN	PLUG	3			0.007	
040	17391-96160	STOPFEN	PLUG EXPANSION	3			0.003	
050	06311-75045	STOPFEN	PLUG EXPANSION	1			0.026	
060	15221-03380	STOPFEN	CAP SEALING	5			0.017	
070	15221-03390	STOPFEN	BUSH GOVERNOR GEAR	2			0.030	
080	05012-00408	ZYLINDERSTIFT	PIN STRAIGHT	2			0.001	
090	05012-00609	ZYLINDERSTIFT	PIN STRAIGHT	2			0.003	
100	05012-00612	ZYLINDERSTIFT	PIN STRAIGHT	2			0.003	
110	05012-01018	ZYLINDERSTIFT	PIN STRAIGHT	1			0.012	
120	15221-33650	ROHRSTIFT	PIN PIPE	1			0.004	
130	06311-85020	KAPPE	CAP SEALING	1			0.002	
135	17456-36420	FUEHRUNG, OELMESSSTAB	GUIDE OIL GAUGE	1			0.030	
140	15221-33610	STOPFEN	PLUG	1			0.009	
150	15021-33660	DICHTUNGSPLATTE	GASKET	1			0.001	
170	15471-35012	GRP.OELPUMPE	ASSY PUMP OIL	1			0.550	
180	1A021-35150	DICHTUNGSPLATTE	GASKET OIL PUMP	1			0.001	
190	01023-60650	BOLZEN	BOLT	4			0.015	
200	19202-35660	ZAHNRAD	GEAR OIL PUMP DRIVE	1			0.230	
210	05712-00410	KEIL	KEY FEATHER	1			0.001	
220	15221-35682	MUTTER	NUT FLANGE	1			0.014	
230	1A024-39010	OELDRUCKSCHALTER	SWITCH OIL	1			0.035	

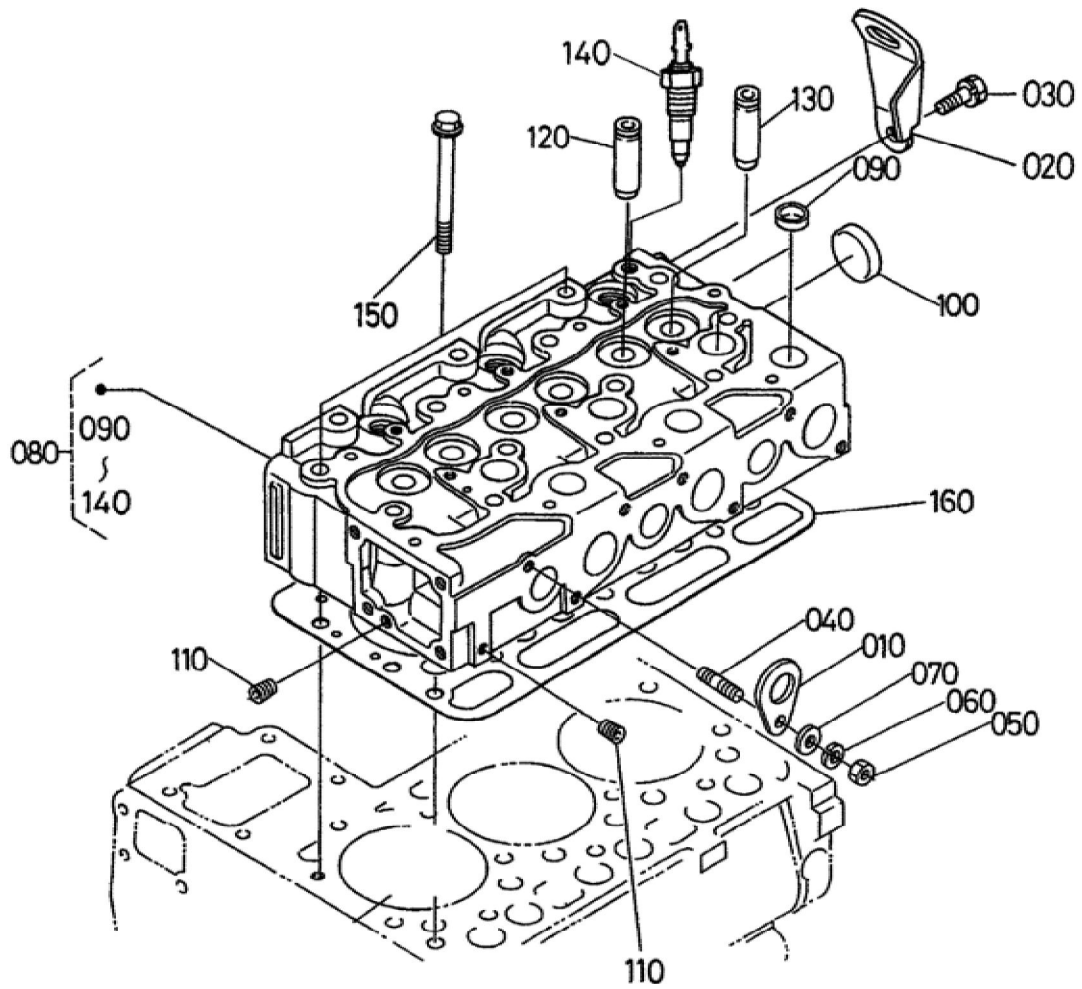
Update Date : 2019/12/13 Print Date : 2022/02/21



Update Date : 2019/12/13 Print Date : 2022/02/21

No.	Part Number	Part Name (POL)	Part Name (ENG)	QTY	IC	Serial No./PIN	Kg	Remarks
010	1A053-01500	KOMP.OELW ANNE	COMP.OIL PAN	1			1.925	
020	15313-01620	DICHTUNG	GASKET OIL PAN	1			0.055	
030	17333-91010	SCHRAUBE	BOLT FLANGE	20			0.030	
040	15707-33754	STOPFEN	PLUG DRAIN	1			0.000	
050	15451-96670	DICHTUNG	GASKET	1			0.003	
060	16413-32110	OELFILTER	FILTER OIL	1			0.240	
070	01123-50814	BOLZEN	BOLT	1			0.010	
080	04814-00160	O RING	O-RING	1			0.001	
090	1A053-36410	OELMESSST AB	GAUGE OIL	1			0.045	

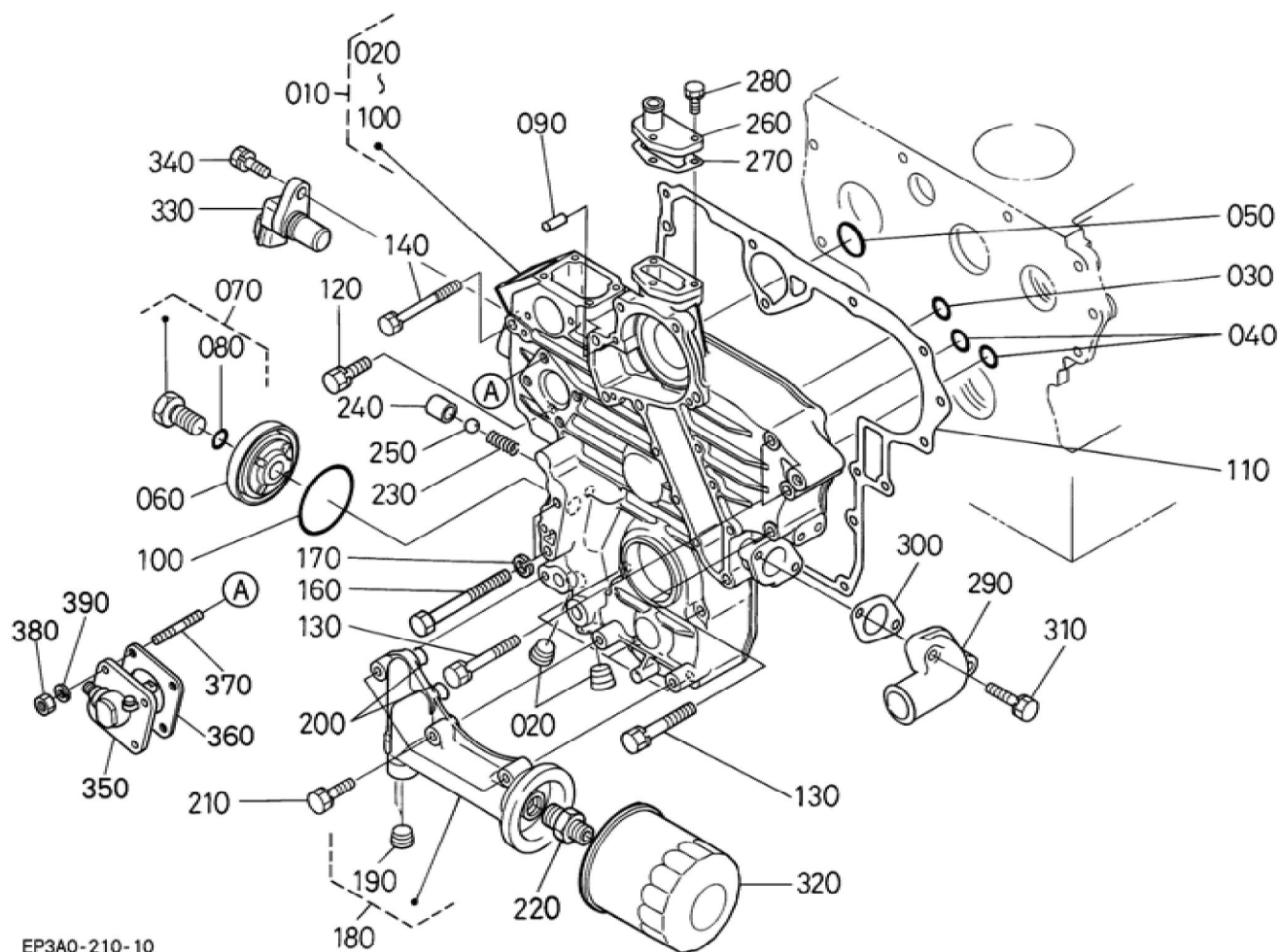
Update Date : 2019/12/13 Print Date : 2022/02/21



Update Date : 2019/12/13 Print Date : 2022/02/21

No.	Part Number	Part Name (POL)	Part Name (ENG)	QTY	IC	Serial No./PIN	Kg	Remarks
010	15221-01750	MOTORHAKE N	HOOK ENGINE	1			0.040	
020	16415-01752	MOTORHAKE N	HOOK ENGINE	1			0.115	
030	01123-50816	SCHRAUBE	BOLT	1			0.011	
040	15471-91530	STEBOLZEN	STUD	1			0.010	
050	02156-50080	MUTTER	NUT	1			0.004	
060	04512-50080	FEDERRING	WASHER SPRING	1			0.002	
070	04012-50080	SCHEIBE	WASHER PLAIN	1			0.001	
080	1A051-03040	KOMP. ZYLINDERKO PF	COMP.CYLIN DER HEAD	1			15.000	
090	15221-03370	STOPFEN	CAP SEALING	9			0.010	
100	15221-03490	STOPFEN	CAP SEALING	1			0.020	
110	15261-96010	STOPFEN	PLUG	2			0.002	
120	17321-13580	EINLASSVEN TILFUEHRUN G	GUIDE INLET VALVE	3			0.015	
130	17321-13560	AUSLASSVEN TILFUEHRUN G	GUIDE EXHAUST VALVE	3			0.020	
140	31351-32830	TEMPERATU RGEBER	THERMO UNIT	1			0.020	
150	19013-03450	ZYLINDERKO PFSCHRAUB E	BOLT CYLINDER HEAD	14			0.077	
160	1G720-03310	ZYLINDERKO PFDICHTUNG	GASKET CYLINDER HEAD	1			0.220	

Update Date : 2019/12/13 Print Date : 2022/02/21



EP3A0-210-10

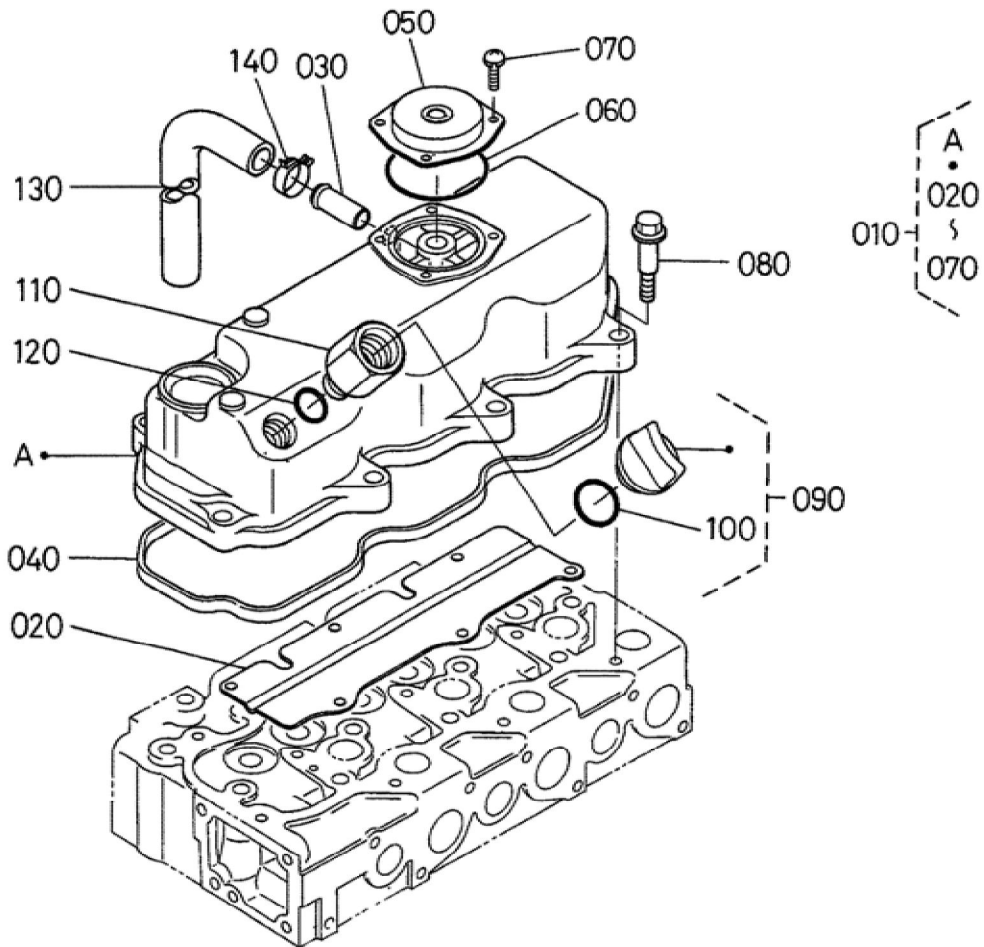
Update Date : 2019/12/13 Print Date : 2022/02/21

No.	Part Number	Part Name (POL)	Part Name (ENG)	QTY	IC	Serial No./PIN	Kg	Remarks
010	1G723-04010	GRP.GETRIEBEGEHAEUSE	ASSY CASE,GEAR	1			3.700	
020	16241-96020	STOPFEN	PLUG	3			0.015	
030	04814-00150	O RING	O RING	1			0.001	
040	04814-00220	O RING	O RING	2			0.001	
050	04814-00360	O RING	RING	1			0.001	
060	17331-32880	DECKEL	COVER	1			0.075	
070	1A053-32910	KOMP.BOLZEN	COMP BOLT	1			0.066	
080	04814-00150	O RING	O RING	1			0.001	
090	05012-00612	ZYLINDERSTIFT	PIN, STRAIGHT	2			0.003	
100	19202-96830	O RING	O-RING	1			0.010	
110	1A021-04130	DICHTUNG	GASKET (CASE,GEAR)	1			0.019	
120	01123-50835	BOLZEN	BOLT,SEMS	1			0.020	
130	01123-50870	BOLZEN	BOLT,SEMS	7			0.029	
140	17367-91010	BOLZEN	BOLT	1			0.005	
160	01153-50802	BOLZEN	HEX.BOLT	2			0.040	
170	04512-50080	FEDERRING	WASHER,SPRING LOCK	2			0.002	
180	1A053-32600	OELFILTERKONSOLE	COMP.BASE, OIL FILTER	1			0.505	
190	16241-96020	STOPFEN	PLUG	2			0.015	
200	04814-00150	O RING	O RING	2			0.001	
210	01123-50840	BOLZEN	BOLT,SEMS	3			0.018	
220	15521-32290	VERBINDUNGSSTUECK	JOINT,PIPE	1			0.050	
230	15241-36950	FEDER	SPRING	1			0.004	
240	15521-36930	SITZ,VENTIL	SEAT,VALVE	1			0.015	
250	07715-03213	KUGEL	BALL	1			0.004	
260	15521-73320	FLANSCH	FLANGE (WATER RETURN)	1			0.040	
270	1A021-73330	DICHTUNGSPLATTE	GASKET (RETURN FLANGE)	1			0.001	
280	01023-50620	BOLZEN	BOLT,SEMS	3			0.006	
290	1A053-72830	FLANSCH	FLANGE,WATER	1			0.135	

Update Date : 2019/12/13 Print Date : 2022/02/21

No.	Part Number	Part Name (POL)	Part Name (ENG)	QTY	IC	Serial No./PIN	Kg	Remarks
300	1A053-72840	DICHTUNG	GASKET,WATER FLANGE	1			0.001	
310	01123-50840	BOLZEN	BOLT,SEMS	2			0.018	
320	1C010-32430	OELFILTERPATRONE	CARTRIDGE, OIL FILTER	1			0.450	
330	T1060-32270	DREHZAHLSENSOR	SENSOR	1			0.022	
340	01023-50616	BOLZEN	BOLT,SEMS	1			0.006	
350	38240-34660	GEHAEUSE, STUNDENZAehlerANTRIEB	CASE,GEAR, ASSY(H/M)	1			0.335	
360	15296-88130	DICHTUNG	GASKET,H/METER UNIT	1			0.002	
370	15221-88210	STEBBOLZEN	STUD	4			0.005	
380	02056-50060	MUTTER	HEX.NUT	4			0.002	
390	04512-60060	FEDERRING	WASHER SPRING	4			0.001	

Update Date : 2019/12/13 Print Date : 2022/02/21



Update Date : 2019/12/13 Print Date : 2022/02/21

No.	Part Number	Part Name (POL)	Part Name (ENG)	QTY	IC	Serial No./PIN	Kg	Remarks
010	1A053-14500	DECKEL ZYLINDERKO PF	ASSY COVER CYL.HEAD	1			1.230	
020	1A021-05370	OELSCHILD,E NTLUEFTER	SHELD OIL BREATHER	1			0.100	
030	17331-73340	WASSERROH R	PIPE WATER RETURN	1			0.000	
040	1A021-14520	VENTILDECK ELDICHTUNG	GASKET HEAD COVER	1			0.020	
050	1A021-05120	ENTLUEFTER DECKEL	COVER BREATHER	1			0.039	
060	1A021-05430	O RING	O-RING	1			0.001	
070	03024-50510	SCHRAUBE	SCREW WITH WASHER	4			0.002	
080	1G911-91020	BOLZEN	BOLT	8			0.015	
090	1A053-33080	BLINDSTOPF EN	ASSY PLUG	1			0.013	
100	04814-06230	O RING	O-RING	1			0.001	
110	RG511-42810	ADAPTER	ADAPTER (G3/4-G3/4)	1			0.244	
120	RG208-86550	O-RING	O-RING	1			0.000	
130	1A053-05510	ENTLUEFTUN GSROHR	TUBE BREATHER	1			0.085	
140	09318-88150	SCHLAUCHBI NDER	CLAMP HOSE	1			0.004	



Download the full PDF manual instantly.

Our customer service e-mail:

aservicemanualpdf@yahoo.com