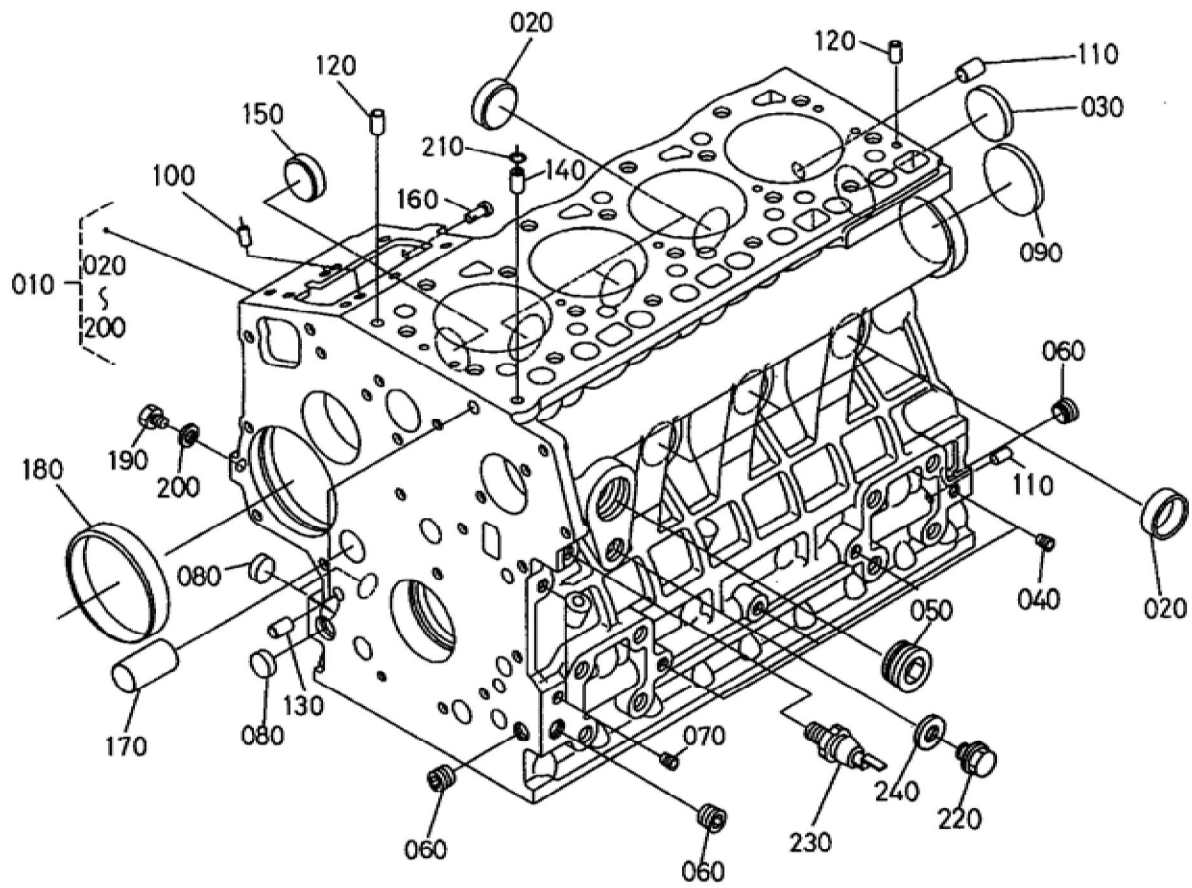


Update Date : 2017/05/12 Print Date : 2022/02/21



BKIDK0087 >> KX91-2 >> MOTOR / BASIC ENGINE >> S00100 KURBELGEHAEUSE / CRANKCASE

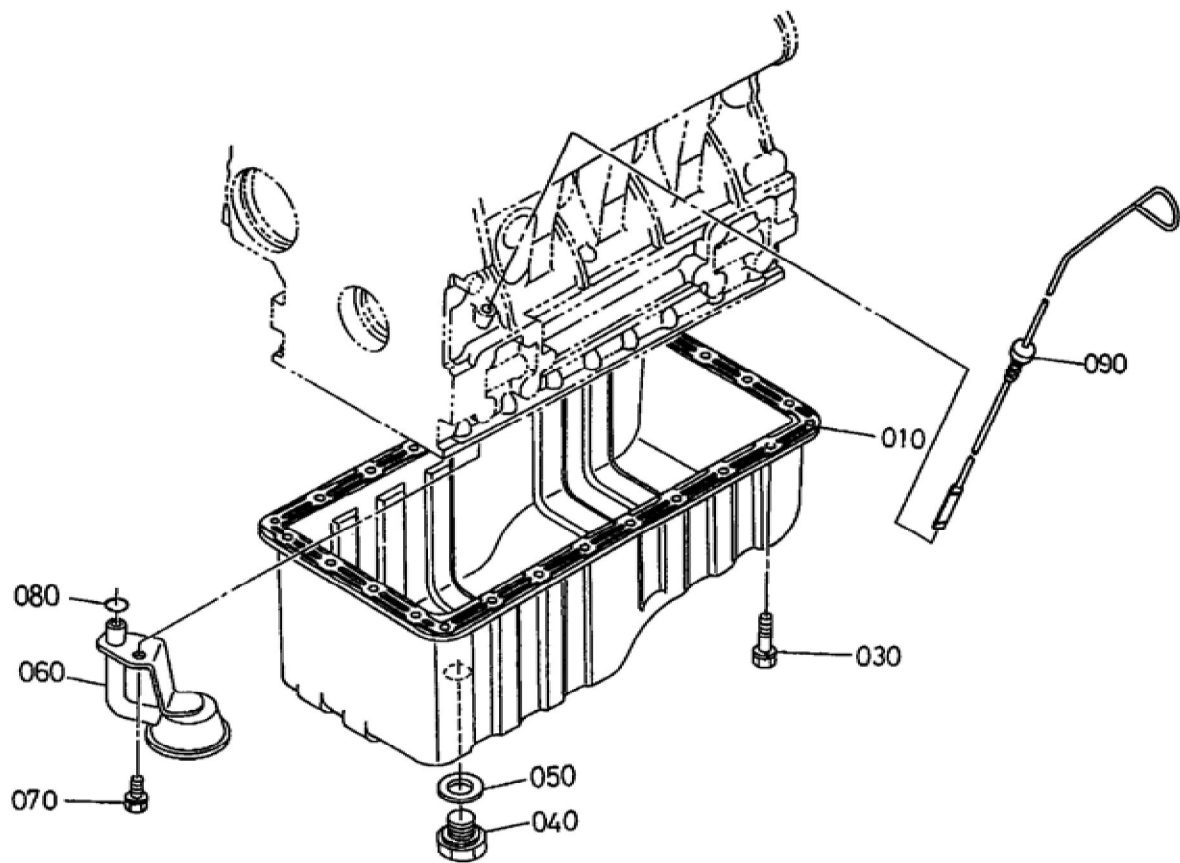
Update Date : 2017/05/12 Print Date : 2022/02/21

No.	Part Number	Part Name (POL)	Part Name (ENG)	QTY	IC	Serial No./PIN	Kg	Remarks
010	16626-01010	KOMP.KURBELGEHAEUSE	COMP.CRANKCASE	1		<=11326	32.500	
010	16626-01012	KOMP.KURBELGEHAEUSE	COMP.CRANKCASE	1	NI	=>11327	49.000	
020	15451-96270	KAPPE	CAP SEALING	6			0.010	
030	15221-03490	STOPFEN	CAP SEALING	1			0.020	
040	15261-96010	STOPFEN	PLUG	4			0.002	
050	16683-96020	STOPFEN	PLUG	1			0.088	
060	16241-96010	STOPFEN	PLUG	3			0.007	
070	15521-96020	STOPFEN	PLUG	2			0.003	
080	17391-96160	STOPFEN	PLUG EXPANSION	3			0.003	
090	16271-96160	STOPFEN	PLUG EXPANSION	1			0.025	
100	05012-00508	ZYLINDERSTIFT	PIN STRAIGHT	2			0.001	
110	05012-00814	ZYLINDERSTIFT	PIN STRAIGHT	2			0.006	
120	05012-00610	ZYLINDERSTIFT	PIN STRAIGHT	2			0.003	
130	15231-33960	ROHRSTIFT	PIN PIPE	2			0.001	
140	16241-33650	ROHRSTIFT	PIN PIPE	1			0.002	
150	16241-96260	STOPFEN	PLUG	1		<=49889	0.006	
150	16241-96262	STOPFEN	PLUG	1	>>	=>49890	0.007	
160	15221-56280	STARTFEDERSTIFT	PIN START SPRING	1			0.006	
170	16282-96010	STOPFEN	PLUG	1			0.090	
180	16271-55350	BUCHSE	BUSH GOVERNOR GEAR	1			0.060	
190	15221-33610	STOPFEN	PLUG	1			0.009	
200	15021-33660	DICHTUNGSPLATTE	GASKET	1			0.001	
210	15221-33700	O RING	O-RING	1			0.001	
220	06311-55020	STOPFEN	PLUG	1	>>	=>139736	0.031	
220	15841-73020	GRP.ABLASSHAHN	ASSY COCK DRAIN	1		<=139735	0.030	

BKIDK0087 >> KX91-2 >> MOTOR / BASIC ENGINE >> S00100 KURBELGEHAEUSE / CRANKCASE

Update Date : 2017/05/12 Print Date : 2022/02/21

No.	Part Number	Part Name (POL)	Part Name (ENG)	QTY	IC	Serial No./PIN	Kg	Remarks
230	15531-39010	OELDRUCKS CHALTER	SWITCH OIL	1			0.032	
240	04714-00200	DICHTUNGSP LATTE	GASKET	1		=>139736	0.002	

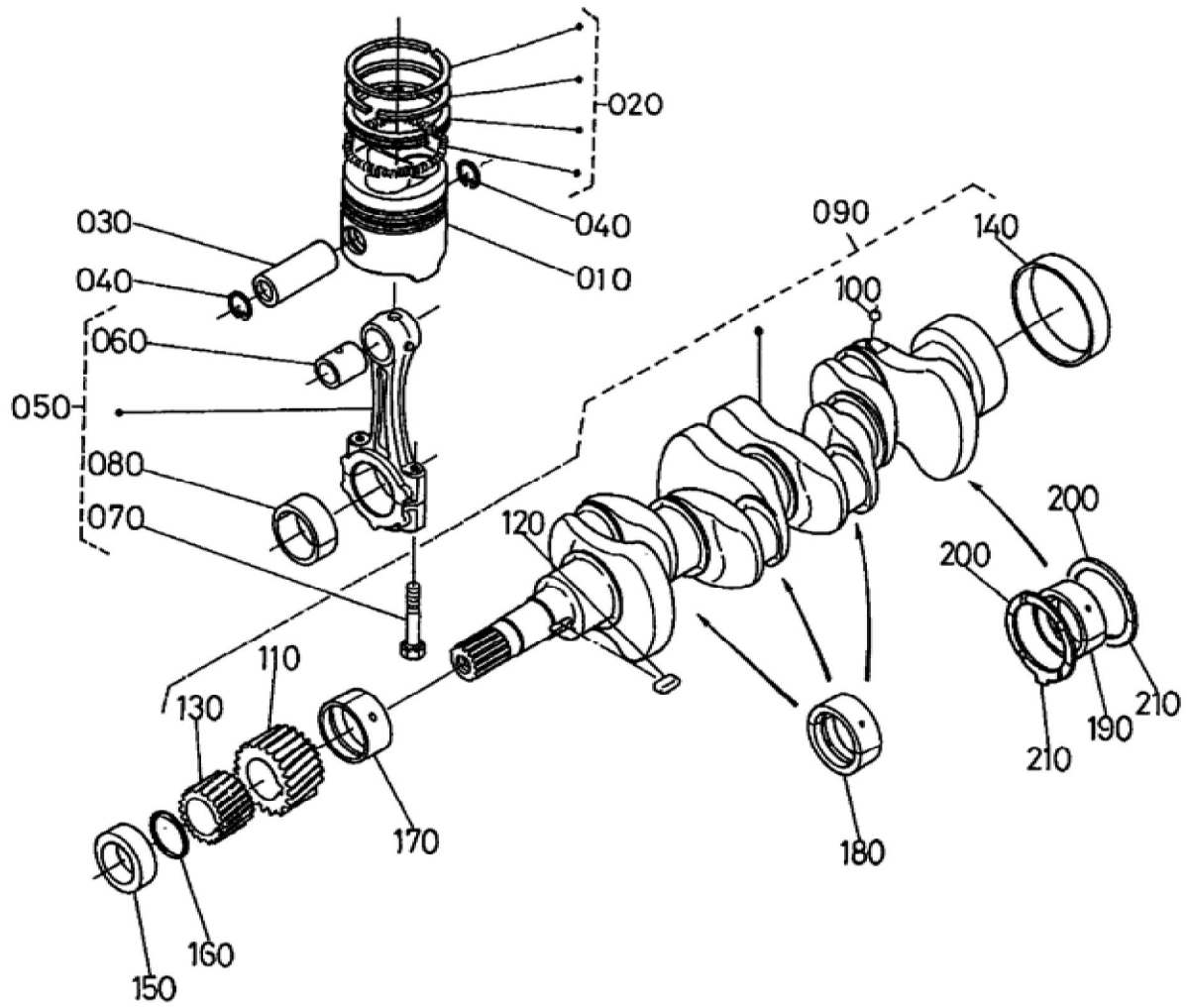


BKIDK0087 >> KX91-2 >> MOTOR / BASIC ENGINE >> S00200 OELWANNE / OIL PAN

Update Date : 2017/05/12 Print Date : 2022/02/21

No.	Part Number	Part Name (POL)	Part Name (ENG)	QTY	IC	Serial No./PIN	Kg	Remarks
010	16285-01500	KOMP.OELW ANNE	COMP.OIL PAN	1			1.900	
020	16299-01620	DICHTUNG	GASKET OIL PAN	1		<=746723	0.003	
030	01023-50612	BOLZEN	BOLT	26			0.005	
040	16541-33750	ENTLEERUN GSSTOPFEN	PLUG DRAIN	1			0.074	
050	15451-96670	DICHTUNG	GASKET	1			0.003	
060	16241-32110	OELFILTER	FILTER OIL	1			0.000	
070	01123-60816	BOLZEN	BOLT	1			0.010	
080	04814-00160	O RING	O-RING	1			0.001	
090	16206-36410	OELMESSST AB	GAUGE OIL	1			0.100	

Update Date : 2017/05/12 Print Date : 2022/02/21



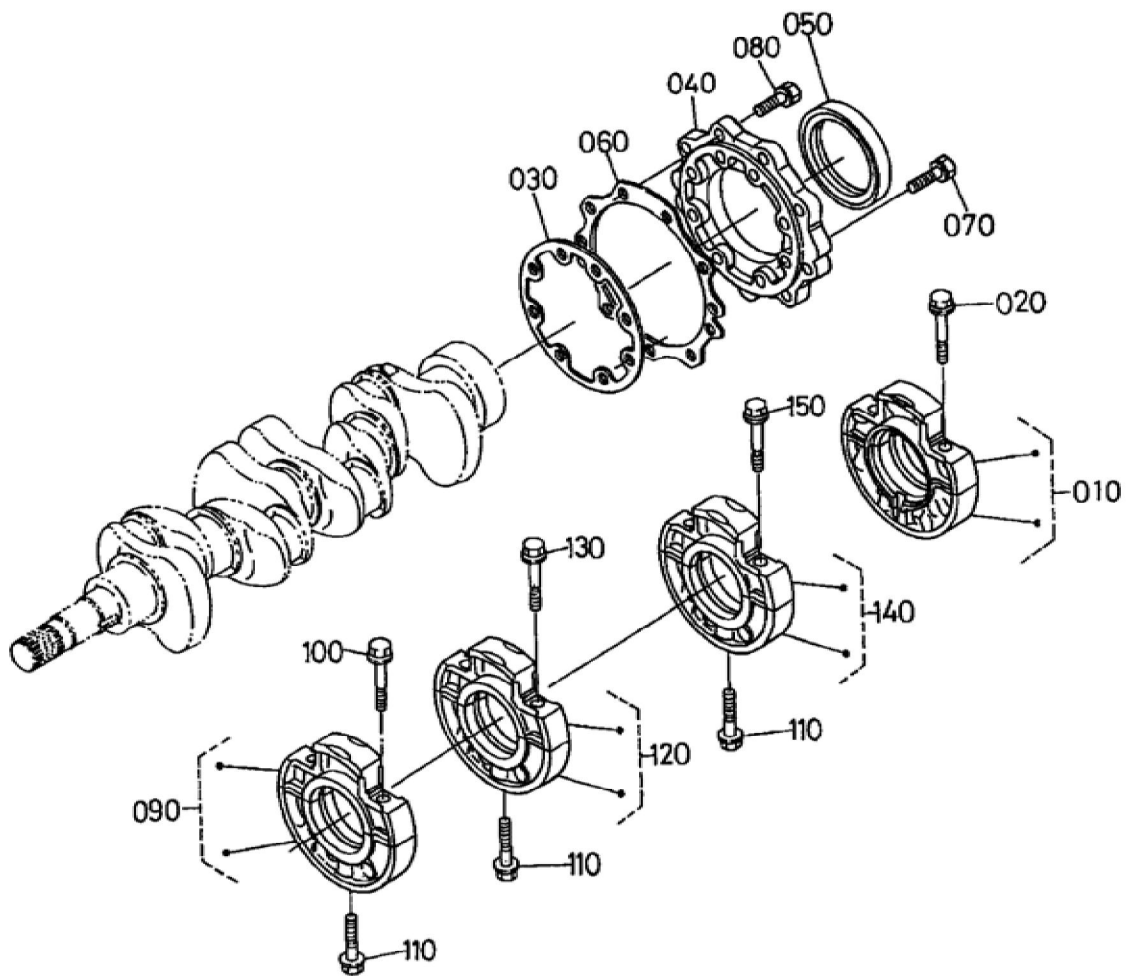
Update Date : 2017/05/12 Print Date : 2022/02/21

No.	Part Number	Part Name (POL)	Part Name (ENG)	QTY	IC	Serial No./PIN	Kg	Remarks
010	H1600-21100	PISTON,KIT	PISTON,KIT	4			0.400	STD
010	H1600-21900	PISTON,KIT (05)	PISTON,KIT (05)	4			0.415	+0.5MM
020	16261-21050	GRP.KOLBEN RING	ASSY PISTON RING	4			0.042	STD
020	16261-21090	GRP.KOLBEN RING	ASSY PISTON RING	4			0.050	+0.5MM
030	16241-21310	KOLBENBOLZEN	PIN PISTON	4			0.135	
040	16241-21330	SEEGERING	CIR CLIP PISTON PIN	8			0.002	
050	16241-22012	PLEUELSTANGE KOMP.	ASSY CONNECTING ROD	4			0.545	
060	16241-21980	BUCHSE,KOLBENSTIFT	BUSH PISTON PIN	4			0.003	
070	16241-22140	BOLZEN	BOLT CONNECTING ROD	8			0.024	
080	16241-22310	LAGERSCHAULE	METAL CRANKPIN	4			0.038	STD SET
080	16241-22970	LAGERSCHAULE	METAL CRANKPIN	4			0.080	-0.2MM SET
080	16241-22980	LAGERSCHAULE	METAL CRANKPIN	4			0.100	-0.4MM SET
090	16282-23013	KOMP.KURBELWELLE	COMP.CRANKSHAFT	1			11.000	
100	07715-00401	KUGEL	BALL	4			0.001	
110	16241-24110	ZAHNRAD	GEAR CRANK	1			0.150	
120	16271-95230	KEIL	KEY	1			0.005	
130	16241-35630	ZAHNRAD	GEAR OIL PUMP DRIVE	1			0.102	
140	16241-23280	MUFFE	SLEEVE CRANKSHAFT	1			0.060	
150	16241-23250	HALSRING	COLLAR CRANKSHAFT	1			0.050	
160	15667-96750	O RING	O-RING	1		<=WH4447	0.020	
160	04814-10280	O RING	O-RING	1	NI	=>WJ0001	0.001	
170	16241-23470	LAGERSCHAULE	METAL CRANKSHAFT	1			0.060	STD

Update Date : 2017/05/12 Print Date : 2022/02/21

No.	Part Number	Part Name (POL)	Part Name (ENG)	QTY	IC	Serial No./PIN	Kg	Remarks
170	16241-23910	LAGERSCHALE	METAL CRANKSHAFT	1			0.030	-0.2MM
170	16241-23920	LAGERSCHALE	METAL CRANKSHAFT	1			0.068	-0.4MM
180	16241-23480	LAGERSCHALE	METAL CRANKSHAFT	3			0.050	STD SET
180	16241-23930	LAGERSCHALE	METAL CRANKSHAFT	3			0.100	-0.2MM SET
180	16241-23940	LAGERSCHALE	METAL CRANKSHAFT	3			0.050	-0.4MM SET
190	16241-23490	LAGERSCHALE	METAL CRANKSHAFT	1			0.000	STD SET
190	16241-23860	LAGERSCHALE	METAL CRANKSHAFT	1			0.100	-0.2MM SET
190	16241-23870	LAGERSCHALE	METAL CRANKSHAFT	1			0.068	-0.4MM SET
200	15521-23530	LAGERSCHALE	METAL SIDE	2			0.010	STD
200	15521-23950	LAGERSCHALE	METAL SIDE	2			0.010	+0.2MM
200	15521-23960	LAGERSCHALE	METAL SIDE	2			0.010	+0.4MM
210	19202-23540	LAGERSCHALE	METAL SIDE	2			0.010	STD
210	19202-23970	LAGERSCHALE	METAL SIDE	2			0.010	+0.2MM
210	19202-23980	LAGERSCHALE	METAL SIDE	2			0.010	+0.4MM

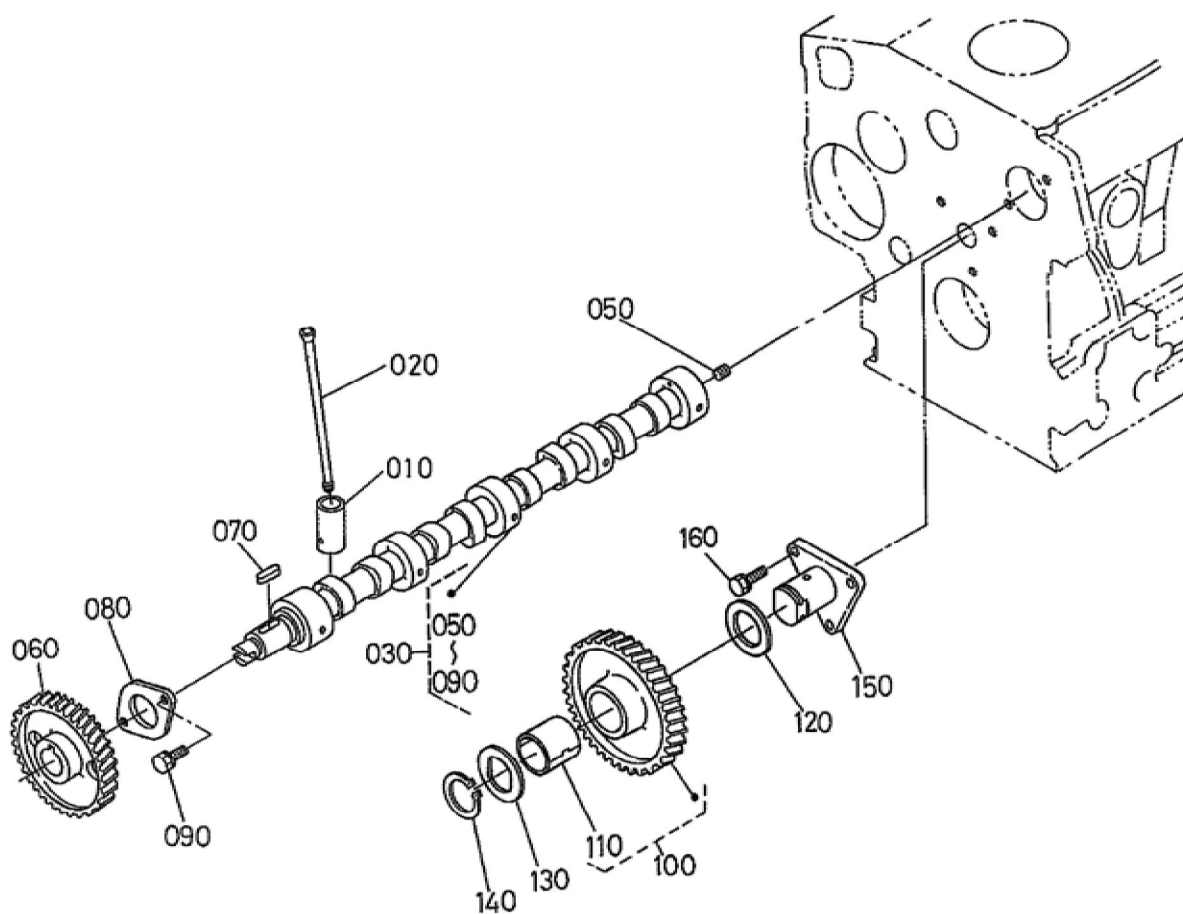
Update Date : 2017/05/12 Print Date : 2022/02/21



Update Date : 2017/05/12 Print Date : 2022/02/21

No.	Part Number	Part Name (POL)	Part Name (ENG)	QTY	IC	Serial No./PIN	Kg	Remarks
010	16241-04092	GRP.LAGERG EHAEUSE	ASSY CASE MAIN BRG.	1			1.130	
020	16241-04540	BOLZEN,LAG ERKASTEN	BOLT BEARING CASE	2			0.020	
030	16264-04360	DICHTUNG	GASKET BRG.CASE	1			0.002	
040	16241-04813	DECKEL,LAG ERKASTEN	COVER BEARING CASE	1			0.220	
050	16241-04460	OELDICHTUN GSRING	SEAL OIL	1			0.020	
060	16264-04820	DICHTUNGSP LATTE	GASKET	1			0.008	
070	01023-50625	BOLZEN	BOLT	8			0.007	
080	01023-50620	BOLZEN	BOLT	9			0.006	
090	16261-04040	GRP.LAGERG EHAEUSE	ASSY CASE MAIN BRG.	1			0.900	
100	16241-04540	BOLZEN,LAG ERKASTEN	BOLT BEARING CASE	2			0.020	
110	16241-04560	BOLZEN,LAG ERKASTEN	BOLT BEARING CASE	3			0.030	
120	16261-04050	GRP.LAGERG EHAEUSE	ASSY CASE MAIN BRG.	1			1.110	
130	16241-04540	BOLZEN,LAG ERKASTEN	BOLT BEARING CASE	2			0.020	
140	16282-04060	GRP.LAGERG EHAEUSE	ASSY CASE MAIN BRG.	1			1.000	
150	16241-04540	BOLZEN,LAG ERKASTEN	BOLT BEARING CASE	2			0.020	

Update Date : 2017/05/12 Print Date : 2022/02/21





Download the full PDF manual instantly.

Our customer service e-mail:

aservicemanualpdf@yahoo.com