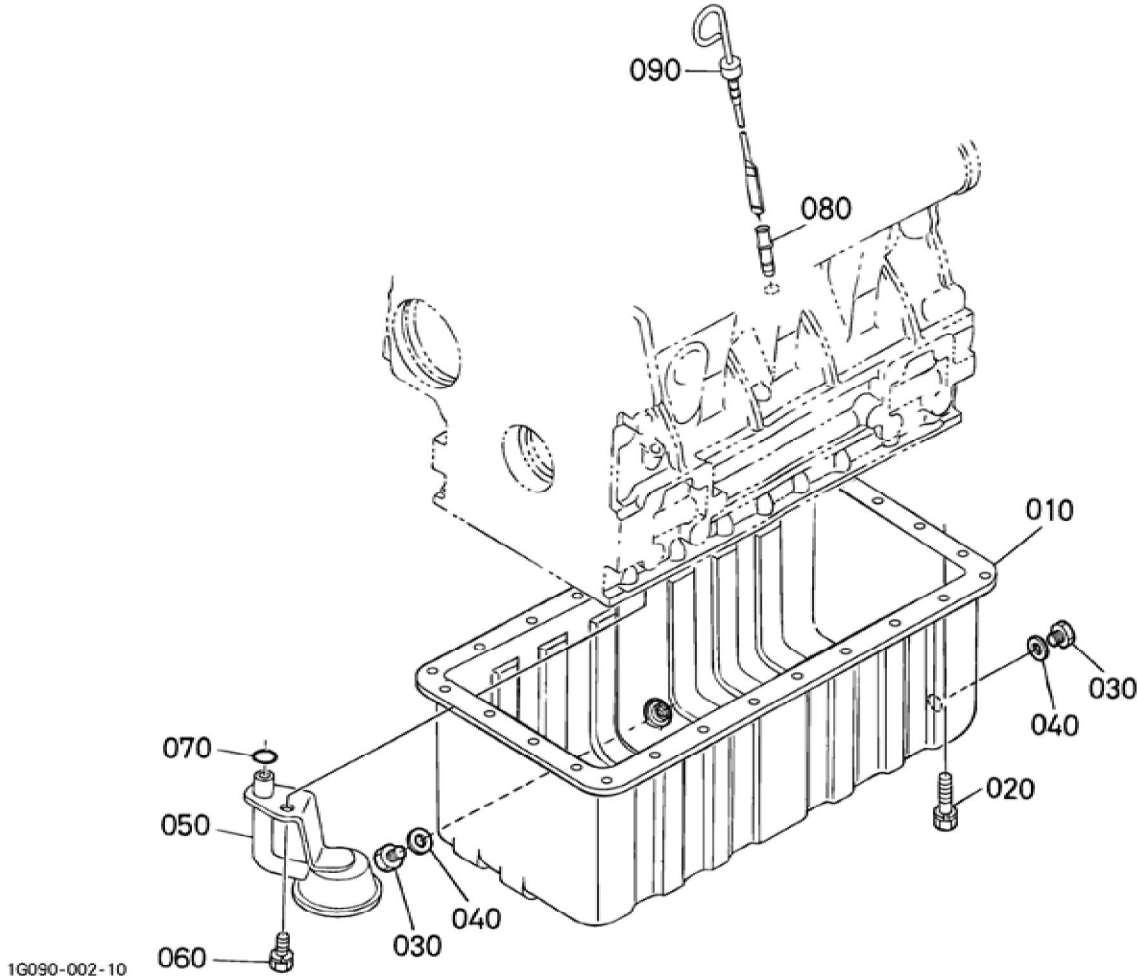


## BKIDK0508 &gt;&gt; KX71-3 &gt;&gt; MOTOR / ENGINE &gt;&gt; S00100 KURBELGHAEUSE / CRANKCASE

Update Date : 2020/03/19 Print Date : 2022/02/20

No.	Part Number	Part Name (POL)	Part Name (ENG)	QTY	IC	Serial No./PIN	Kg	Remarks
010	1G097-01010	KOMP.KURBELGEHAEUSE	COMP.CRANKCASE	1			47.000	
020	15451-96270	KAPPE	CAP,SEALING	6			0.010	
030	15221-03490	STOPFEN	PLUG,CUP TYPE	1			0.020	
040	15261-96010	STOPFEN	PLUG	4			0.002	
050	16683-96020	STOPFEN	PLUG	1			0.088	
060	16241-96010	STOPFEN	PLUG	3			0.007	
070	15521-96020	STOPFEN	PLUG	2			0.003	
080	17391-96160	STOPFEN	PLUG,CONCAVE	3			0.003	
090	16271-96160	STOPFEN	PLUG,CONCAVE	1			0.025	
100	05012-00508	ZYLINDERSTIFT	PIN,STRAIGHT	2			0.001	
110	05012-00814	ZYLINDERSTIFT	PIN,STRAIGHT	2			0.006	
120	16221-94520	ZYLINDERSTIFT	PIN,STRAIGHT	2			0.005	
130	15231-33960	ROHRSTIFT	PIN,PIPE	2			0.001	
140	16241-33650	ROHRSTIFT	PIN,PIPE	1			0.002	
150	16241-96262	STOPFEN	PLUG,FUEL CAMSHAFT	1			0.007	
160	16221-56280	STARTFEDERSTIFT	PIN,START SPRING	1			0.005	
170	16282-96010	STOPFEN	PLUG	1			0.090	
180	16271-55350	BUCHSE	BUSHING (GEAR,GOBERNOR)	1			0.060	
190	15221-33610	STOPFEN	PLUG	1			0.009	
200	15021-33660	DICHTUNGSPLATTE	GASKET	1			0.001	
210	06311-55020	STOPFEN	PLUG	1			0.031	
220	04724-00130	DICHTUNGSPLATTE	GASKET	1			0.003	
230	1A024-39010	OELDRUCKSCHALTER	SWITCH(OIL)	1			0.035	
230	T1850-39010	OELDRUCKSCHALTER	SWITCH,OIL	1	>>		0.040	



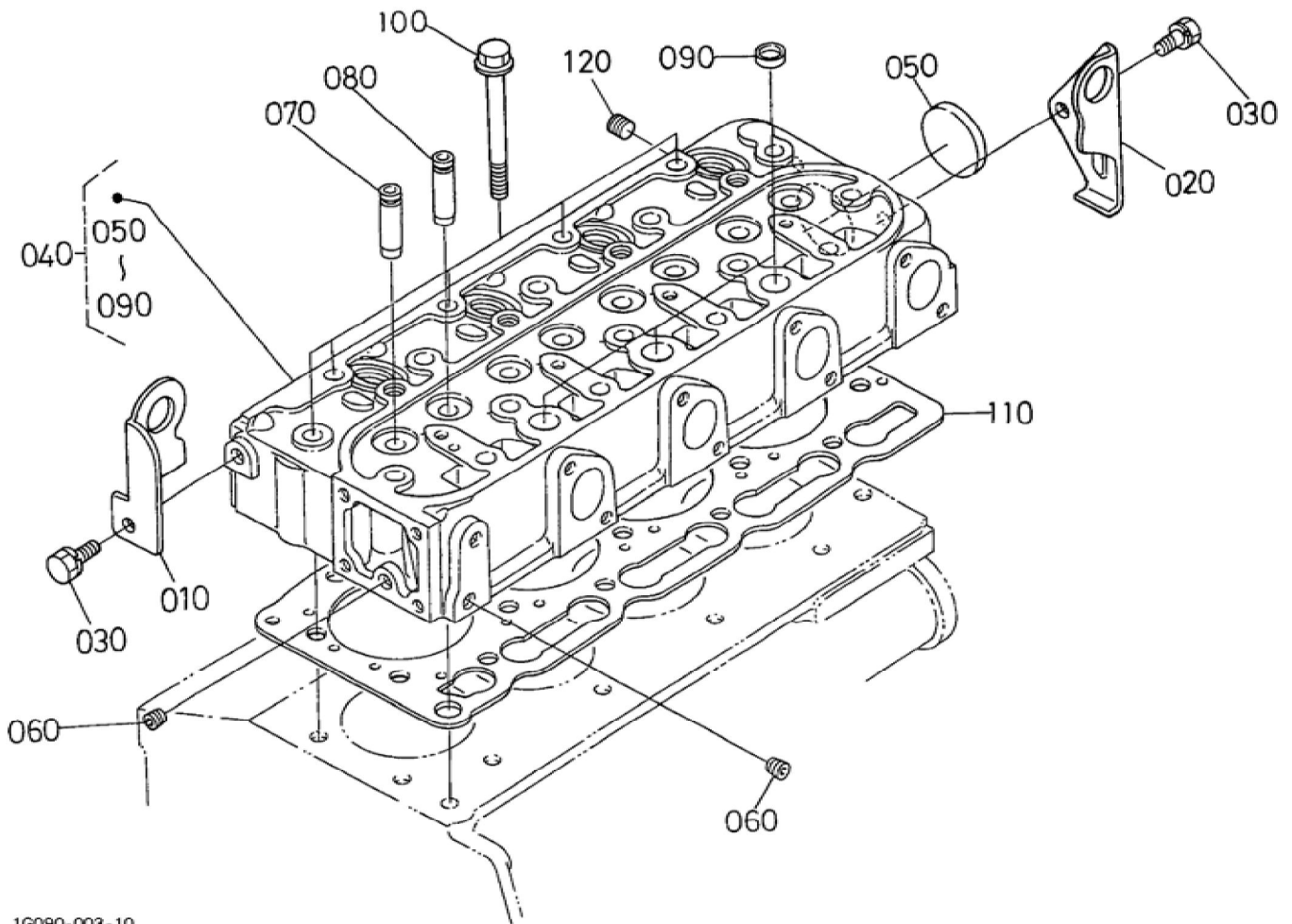
1G090-002-10

## BKIDK0508 &gt;&gt; KX71-3 &gt;&gt; MOTOR / ENGINE &gt;&gt; S00200 OELWANNE / OIL PAN

Update Date : 2020/03/19 Print Date : 2022/02/20

No.	Part Number	Part Name (POL)	Part Name (ENG)	QTY	IC	Serial No./PIN	Kg	Remarks
010	19620-01500	KOMP.OELW ANNE	COMP.OIL PAN	1			1.750	
020	16221-91120	BOLZEN	BOLT	26			0.005	
030	15221-33750	STOPFEN	PLUG	2			0.032	
040	6C090-58960	DICHTUNGSP LATTE	GASKET (PAN,OIL)	2			0.005	
050	16282-32114	OELFILTER	FILTER,OIL	1			0.230	
060	01123-60816	BOLZEN	BOLT	1			0.010	
070	04814-00160	O RING	O RING	1			0.001	
080	17456-36420	FUEHRUNG, OELMESSST AB	GUIDE (GAUGE,OIL)	1			0.030	
090	17456-36410	OELMESSST AB	GAUGE,OIL	1			0.050	

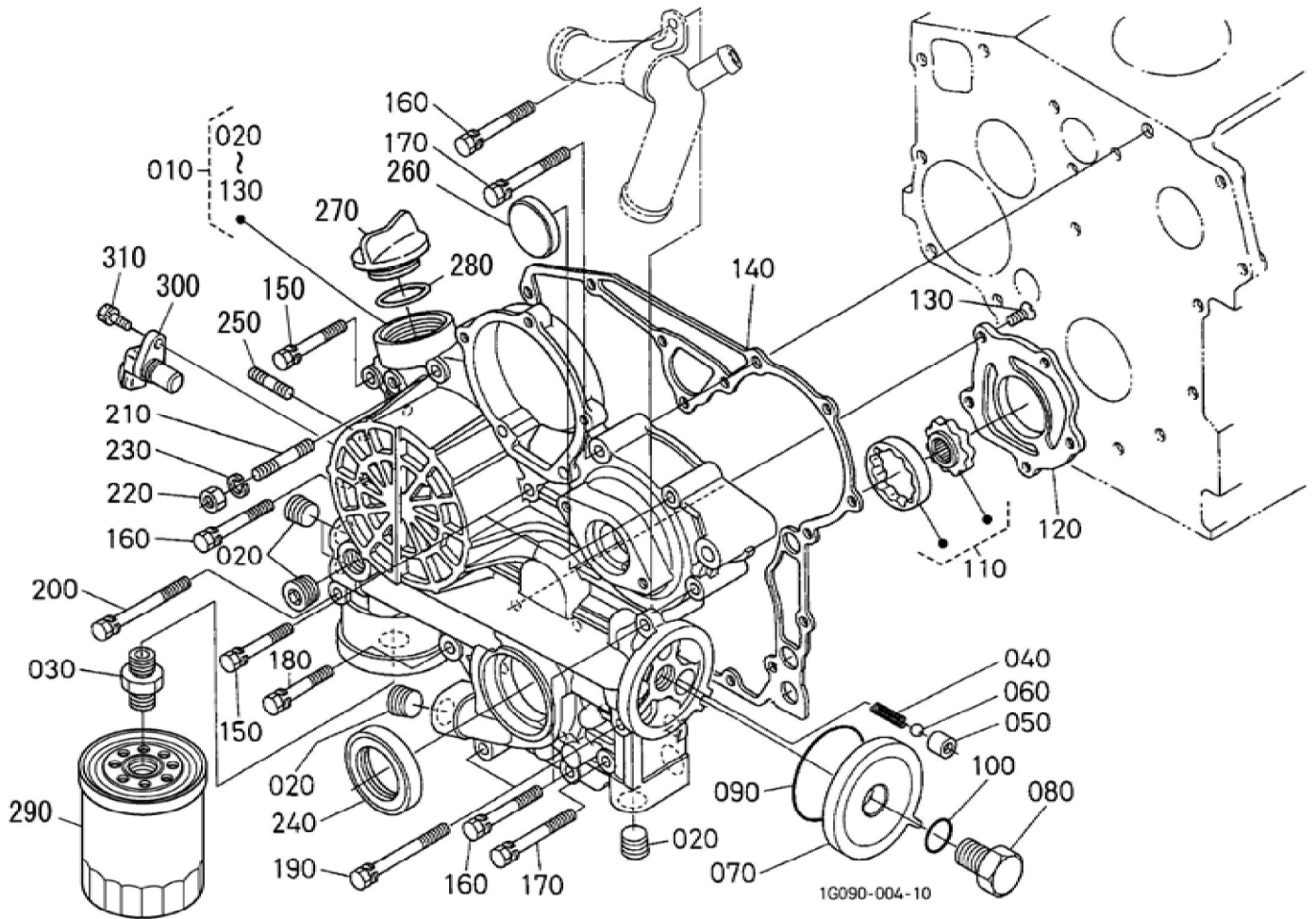
Update Date : 2020/03/19 Print Date : 2022/02/20



## BKIDK0508 &gt;&gt; KX71-3 &gt;&gt; MOTOR / ENGINE &gt;&gt; S00300 ZYLINDERKOPF / CYLINDER HEAD

Update Date : 2020/03/19 Print Date : 2022/02/20

No.	Part Number	Part Name (POL)	Part Name (ENG)	QTY	IC	Serial No./PIN	Kg	Remarks
010	16241-01750	HAKEN	HOOK,ENGINE	1			0.080	
020	16241-01770	MOTORHAKEN	HOOK,ENGINE	1			0.175	
030	01123-60814	BOLZEN	BOLT	2			0.010	
040	1G092-03040	KOMP.ZYLINDERKOPF	COMP.CYLINDER HEAD	1			11.800	
050	15321-96260	KAPPE	CAP,SEALING	1			0.014	
060	15261-96010	STOPFEN	PLUG	2			0.002	
070	16261-13540	EINLASSVENTILFUEHRUNG	GUIDE(INLET VALVE)	4			0.020	
080	16261-13560	AUSLASSVENTILFUEHRUNG	GUIDE (EXHAUST VALVE)	4			0.019	
090	15261-03370	STOEPSEL,ABDICHTUNG	CAP,SEALING	3			0.005	
100	16241-03450	ZYLINDERKOPFSCHRAUBE	BOLT,HEAD (CYLINDER)	18			0.050	
110	16394-03310	ZYLINDERKOPFDICHTUNG	GASKET,CYLINDER HEAD	1			0.200	
120	15841-96020	STOPFEN	PLUG	1			0.020	



## BKIDK0508 &gt;&gt; KX71-3 &gt;&gt; MOTOR / ENGINE &gt;&gt; S00400 GETRIEBE GEHAEUSE / GEAR CASE

Update Date : 2020/03/19 Print Date : 2022/02/20

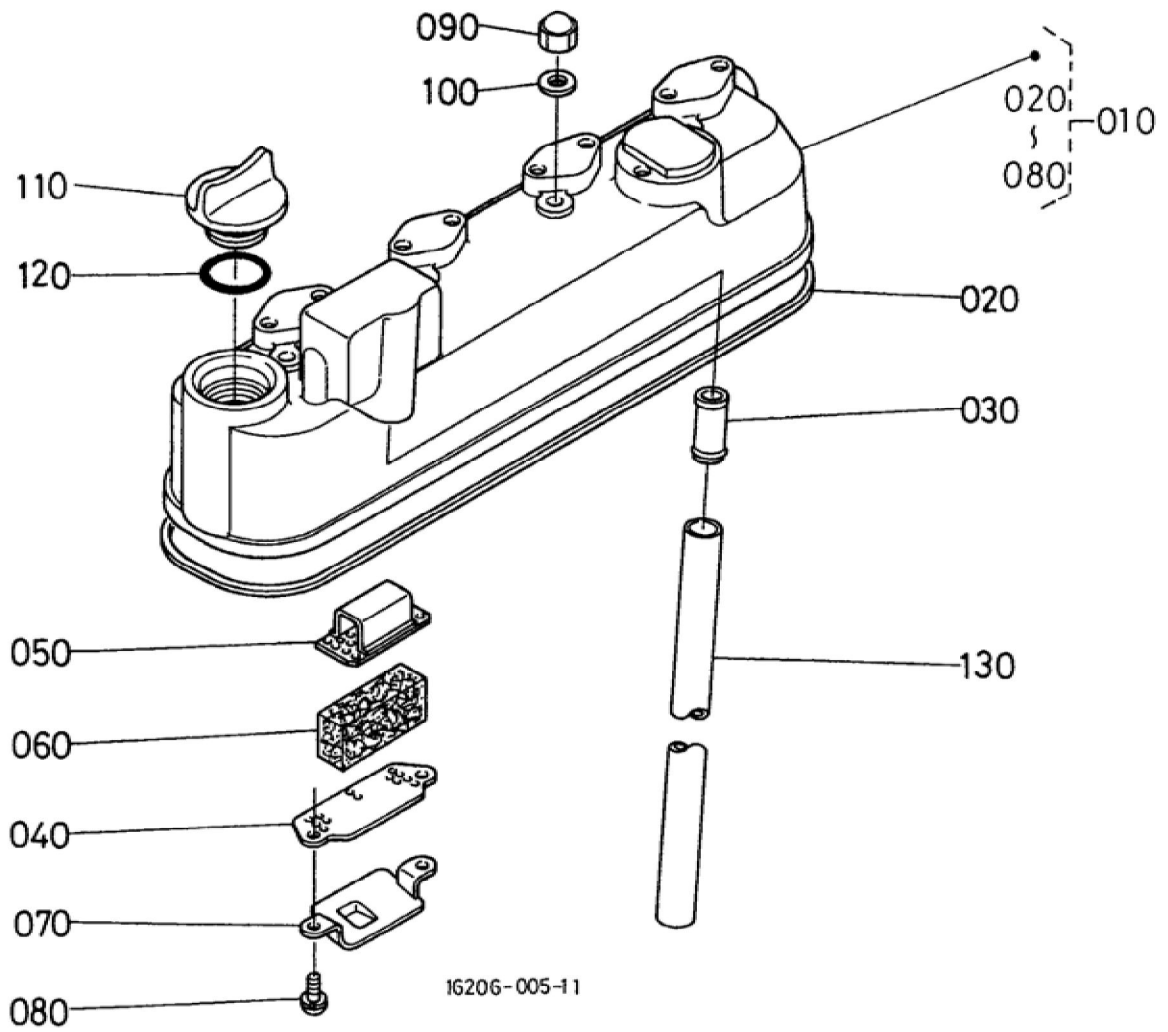
No.	Part Number	Part Name (POL)	Part Name (ENG)	QTY	IC	Serial No./PIN	Kg	Remarks
010	1G345-04022	KMP.GETRIEBEGEHAEUSE	COMP.CASE, GEAR	1			3.000	
020	16241-96020	STOPFEN	PLUG	5			0.015	
030	15241-32290	VERBINDUNGSSSTUECK	JOINT,PIPE	1			0.053	
040	16241-36950	FEDER	SPRING	1			0.015	
050	16241-36930	SITZ,VENTIL	SEAT,VALVE	1			0.032	
060	07715-00201	KUGEL	BALL	1			0.008	
070	16259-32882	DECKEL	COVER	1			0.090	
080	16259-32900	BOLZEN	BOLT	1			0.080	
090	04814-50600	O RING	O RING	1			0.002	
100	04814-00150	O RING	O RING	1			0.001	
110	16241-35070	ROTOR KOMP.	ROTOR,ASSY (OIL PUMP)	1			0.270	
120	16259-35132	DECKEL, OELPUMPE	COVER,OIL PUMP	1			0.070	
130	16241-93120	SCHRAUBE	SCREW,CSK-HD	5			0.005	
140	16264-04130	DICHTUNG	GASKET,GEAR CASE	1			0.000	
150	01023-50645	BOLZEN	BOLT,SEMS	3			0.010	
160	01023-60650	BOLZEN	BOLT(WITH WASHER)	4			0.015	
170	01023-50655	BOLZEN	BOLT,SEMS	2			0.012	
180	15841-91040	BOLZEN	BOLT	1			0.010	
190	16241-91040	BOLZEN	BOLT	2			0.015	
200	16259-91040	BOLZEN	BOLT	1			0.016	
210	16245-91530	STEBOLZEN	STUD	1			0.010	
220	02056-50060	MUTTER	HEX.NUT	1			0.002	
230	04512-60060	FEDERRING	WASHER SPRING	1			0.001	
240	16259-04210	OELDICHTUNGSRING	SEAL,OIL	1			0.015	
250	16245-91540	STEBOLZEN	STUD	2			0.005	
260	16264-83342	DECKEL, GETRIEBEGEHAEUSE	COVER,GEAR CASE	1			0.010	
270	E9151-33140	OELEINFUELLSTOPFEN	PLUG(OIL FILLER)	1			0.017	



## BKIDK0508 &gt;&gt; KX71-3 &gt;&gt; MOTOR / ENGINE &gt;&gt; S00400 GETRIEBE GEHAEUSE / GEAR CASE

Update Date : 2020/03/19 Print Date : 2022/02/20

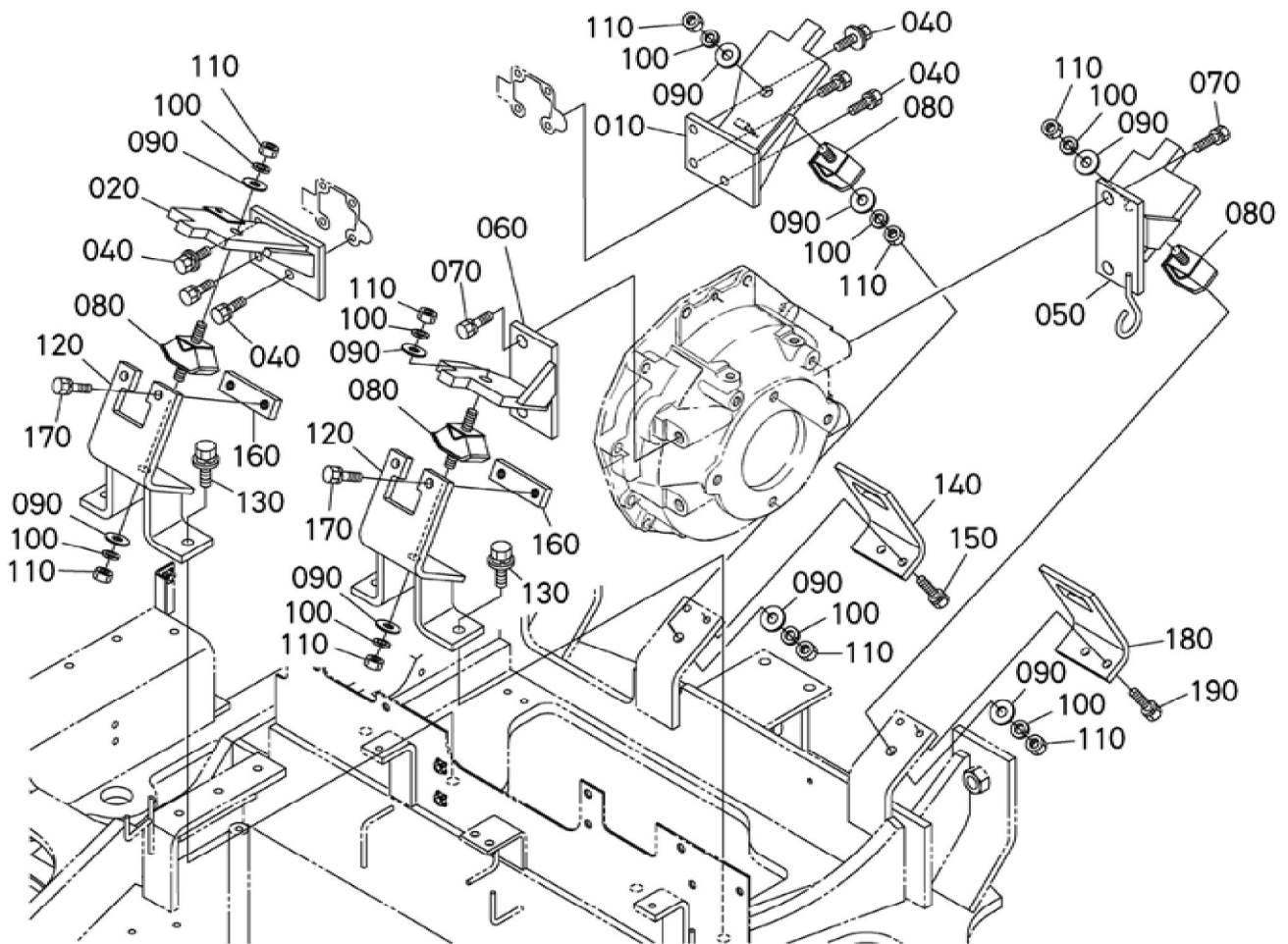
No.	Part Number	Part Name (POL)	Part Name (ENG)	QTY	IC	Serial No./PIN	Kg	Remarks
280	04814-50300	O RING	O RING	1			0.001	
290	16271-32092	OELFILTERP ATRONE	CARTRIDGE OIL FILTER	1			0.400	
300	T1060-32270	DREHZAHL SENSOR	SENSOR (REVOLUTIO N)	1			0.022	
310	01023-60616	BOLZEN	BOLT	1			0.005	



## BKIDK0508 &gt;&gt; KX71-3 &gt;&gt; MOTOR / ENGINE &gt;&gt; S00500 VENTILDECKEL / HEAD COVER

Update Date : 2020/03/19 Print Date : 2022/02/20

No.	Part Number	Part Name (POL)	Part Name (ENG)	QTY	IC	Serial No./PIN	Kg	Remarks
010	16241-14500	VENTILDECKEL	COVER,ASSY (HEAD,CYL)	1			1.020	
020	16241-14520	VENTILDECKELDICHUNG	GASKET,HEAD COVER	1			0.012	
030	16241-05550	VERBINDUNG	JOINT (BREATHER PIPE)	1			0.020	
040	16241-05140	PLATTE,ELEMENT	PLATE (BREATHER ELEMENT)	1			0.005	
050	16241-05150	PLATTE,ELEMENT	PLATE (BREATHER ELEMENT)	1			0.010	
060	16241-05670	ENTLUEFTUNGSELEMENT	ELEMENT (BREATHER)	1			0.010	
070	16241-05370	OELSCHILD,ENTLUEFTER	SHIELD(OIL BREATHER)	1			0.010	
080	03024-50510	SCHRAUBE	SCREW,SEMS(PAN HEAD)	2			0.002	
090	15952-92330	MUTTER	NUT,CAP	4			0.010	
100	15951-96660	DICHTUNGSPLATTE	GASKET	4			0.001	
110	E9151-33140	OELEINFUELLSTOPFEN	PLUG(OIL FILLER)	1			0.017	
120	04814-50300	O RING	O RING	1			0.001	
130	16206-05510	ENTLUEFTUNGSRÖHR	TUBE,BREATHER	1			0.062	

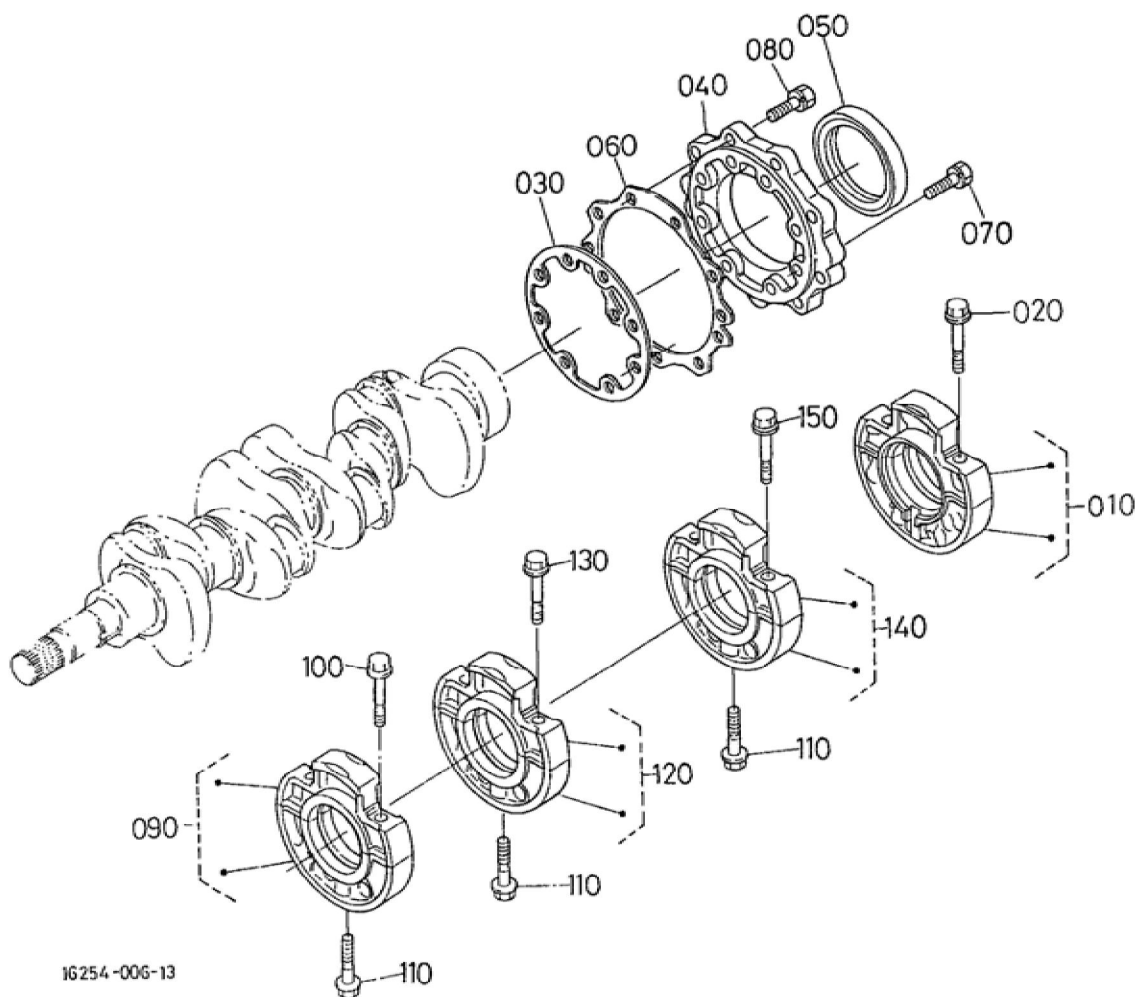


## BKIDK0508 &gt;&gt; KX71-3 &gt;&gt; MOTOR / ENGINE &gt;&gt; S00600 MOTORHALTER / ENGINE BRACKET

Update Date : 2020/03/19 Print Date : 2022/02/20

No.	Part Number	Part Name (POL)	Part Name (ENG)	QTY	IC	Serial No./PIN	Kg	Remarks
010	RG248-42110	MOTORHALTERUNG	BRACKET ENGINE	1			1.910	
020	RG248-42120	MOTORHALTERUNG	BRACKET ENGINE	1			1.815	
040	01133-61025	SCHRAUBE	BOLT	6			0.020	
050	RG248-42130	MOTORHALTERUNG	BRACKET ENGINE	1			1.720	
060	RG248-42140	MOTORHALTERUNG	BRACKET ENGINE	1			1.610	
070	01133-61430	BOLZEN	BOLT	4			0.300	
080	68541-42160	KISSEN	CUSHION,RUBBER	4			0.820	
090	04013-60120	SCHEIBE	WASHER,PLAIN	8			0.010	
100	RG201-21790	SCHEIBE	WASHER	8			0.005	
110	02114-60120	MUTTER	NUT	8			0.011	
120	RG248-42180	MOTORTRAEGER	SUPPORT ENGINE	2			1.875	
130	01135-61235	BOLZEN	BOLT	4			0.050	
140	RG248-42190	ANSCHLAG 1 AM MOTOR	STOPPER 1 ENGINE	1			1.110	
150	01133-61025	SCHRAUBE	BOLT	2			0.020	
160	RG248-42160	ANSCHLAG 2 AM MOTOR	STOPPER 2 ENGINE	2			0.110	
170	01133-61025	SCHRAUBE	BOLT	4			0.020	
180	RG248-42170	ANSCHLAG 3 AM MOTOR	STOPPER 3 ENGINE	1			1.060	
190	01133-61025	SCHRAUBE	BOLT	2			0.020	

Update Date : 2020/03/19 Print Date : 2022/02/20





**Download the full PDF manual instantly.**

**Our customer service e-mail:**

**[aservicemanualpdf@yahoo.com](mailto:aservicemanualpdf@yahoo.com)**