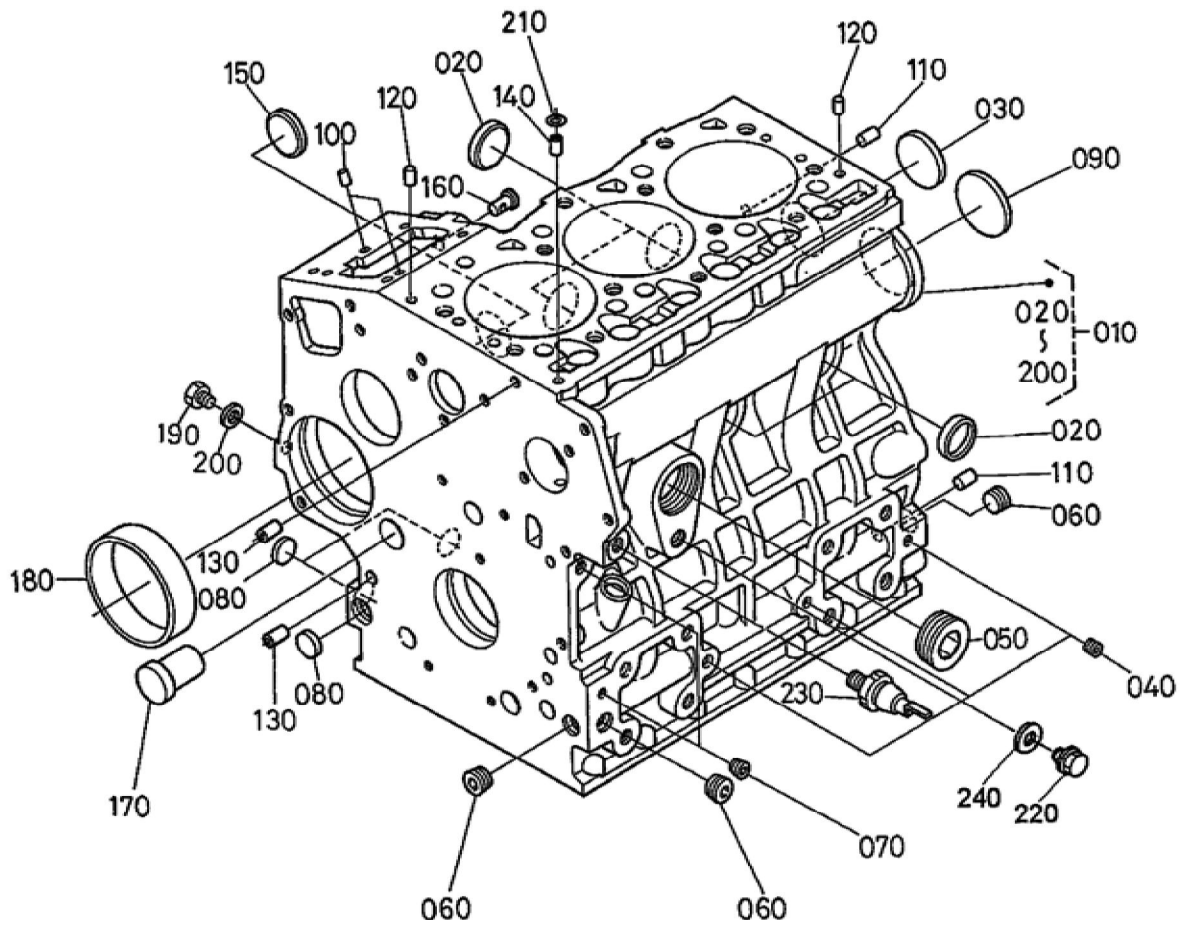


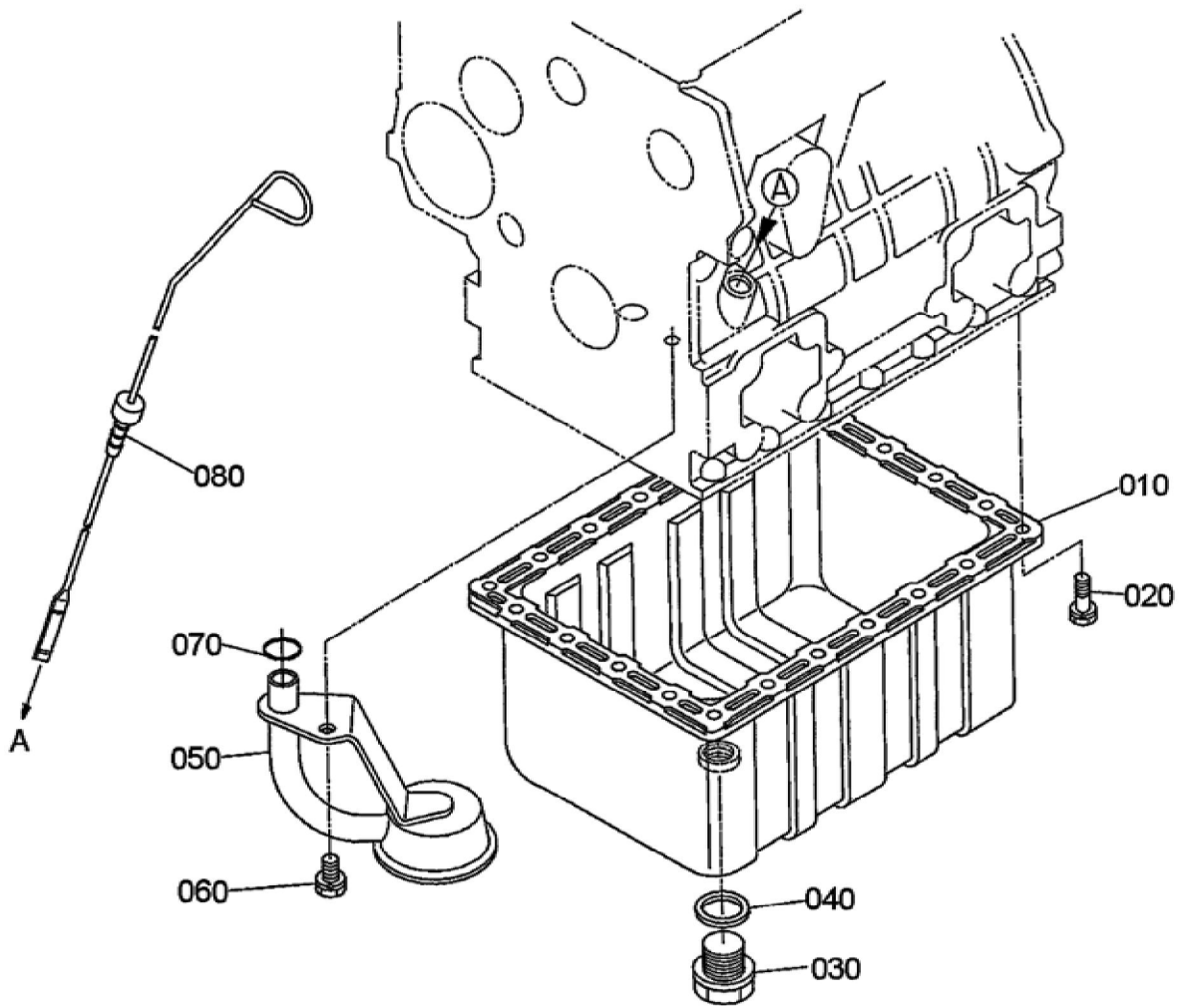
Update Date : 2018/10/24 Print Date : 2022/02/19



Update Date : 2018/10/24 Print Date : 2022/02/19

| No. | Part Number | Part Name (POL) | Part Name (ENG) | QTY | IC | Serial No./PIN | Kg | Remarks |
|-----|-------------|---------------------|--------------------|-----|----|----------------|---------|---------|
| 010 | 16613-01013 | KOMP.KURBELGEHAEUSE | COMP.CRANKCASE | 1 | | | 320.000 | |
| 020 | 15451-96270 | KAPPE | CAP SEALING | 4 | | | 0.010 | |
| 030 | 15221-03490 | STOPFEN | CAP SEALING | 1 | | | 0.020 | |
| 040 | 15261-96010 | STOPFEN | PLUG | 3 | | | 0.002 | |
| 050 | 16683-96020 | STOPFEN | PLUG | 1 | | | 0.088 | |
| 060 | 16241-96010 | STOPFEN | PLUG | 3 | | | 0.007 | |
| 070 | 15521-96020 | STOPFEN | PLUG | 2 | | | 0.003 | |
| 080 | 17391-96160 | STOPFEN | PLUG EXPANSION | 3 | | | 0.003 | |
| 090 | 16271-96160 | STOPFEN | PLUG EXPANSION | 1 | | | 0.025 | |
| 100 | 16225-94510 | ZYLINDERSTIFT | PIN STRAIGHT | 2 | | | 0.001 | |
| 110 | 16221-94530 | ZYLINDERSTIFT | PIN STRAIGHT | 2 | | | 0.006 | |
| 120 | 16221-94520 | ZYLINDERSTIFT | PIN STRAIGHT | 2 | | | 0.005 | |
| 130 | 15231-33960 | ROHRSTIFT | PIN PIPE | 2 | | | 0.001 | |
| 140 | 16241-33650 | ROHRSTIFT | PIN PIPE | 1 | | | 0.002 | |
| 150 | 16241-96260 | STOPFEN | PLUG | 1 | | | 0.006 | |
| 160 | 16261-56280 | STARTFEDERSTIFT | PIN START SPRING | 1 | | | 0.004 | |
| 170 | 16282-96010 | STOPFEN | PLUG | 1 | | | 0.090 | |
| 180 | 16271-55350 | BUCHSE | BUSH GOVERNOR GEAR | 1 | | | 0.060 | |
| 190 | 15221-33610 | STOPFEN | PLUG | 1 | | | 0.009 | |
| 200 | 15021-33660 | DICHTUNGSPLATTE | GASKET | 1 | | | 0.001 | |
| 210 | 15221-33700 | O RING | O RING | 1 | | | 0.001 | |
| 220 | 06311-55020 | STOPFEN | PLUG | 1 | | | 0.031 | |
| 230 | 15531-39010 | OELDRUCKSCHALTER | SWITCH OIL | 1 | | | 0.032 | |
| 240 | 04714-00200 | DICHTUNGSPLATTE | GASKET | 1 | | | 0.002 | |

Update Date : 2018/10/24 Print Date : 2022/02/19

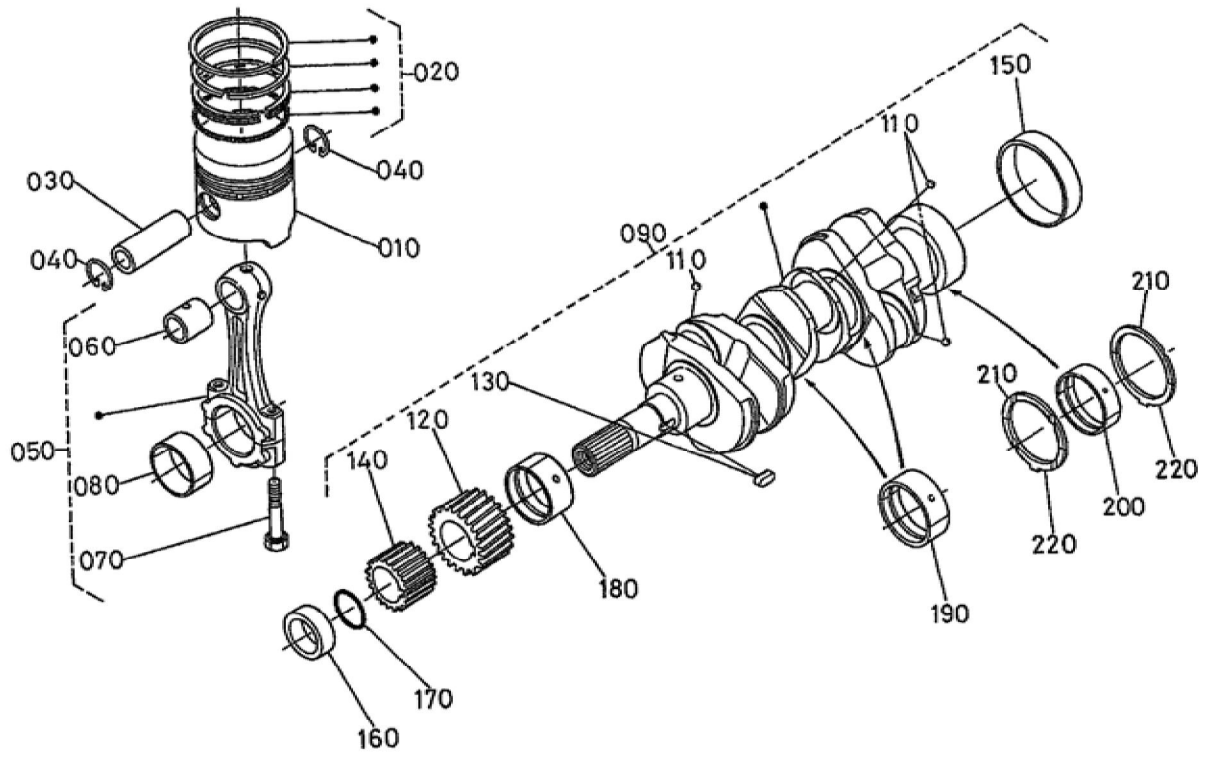


BKIDK0397 >> KX61-2ALPHA [S/N;>=60001] >> MOTOR / BASIC ENGINE >> S00200 OELWANNE / OIL PAN

Update Date : 2018/10/24 Print Date : 2022/02/19

| No. | Part Number | Part Name (POL) | Part Name (ENG) | QTY | IC | Serial No./PIN | Kg | Remarks |
|-----|-------------|------------------------|-----------------|-----|----|----------------|-------|---------|
| 010 | 16265-01500 | KOMP.OELW ANNE | COMP.OIL PAN | 1 | | | 1.580 | |
| 020 | 01023-50612 | BOLZEN | BOLT | 22 | | | 0.005 | |
| 030 | 16541-33750 | ENTLEERUN GSSTOPFEN | PLUG DRAIN | 1 | | | 0.074 | |
| 040 | 15451-96670 | DICHTUNG | GASKET | 1 | | | 0.003 | |
| 050 | 16226-32110 | OELFILTER | FILTER OIL | 1 | | | 0.280 | |
| 060 | 01123-60816 | BOLZEN | BOLT | 1 | | | 0.010 | |
| 070 | 04814-00160 | O RING | O-RING | 1 | | | 0.001 | |
| 080 | 16186-36410 | OELMESSST AB | GAUGE OIL | 1 | | | 0.045 | |

Update Date : 2018/10/24 Print Date : 2022/02/19



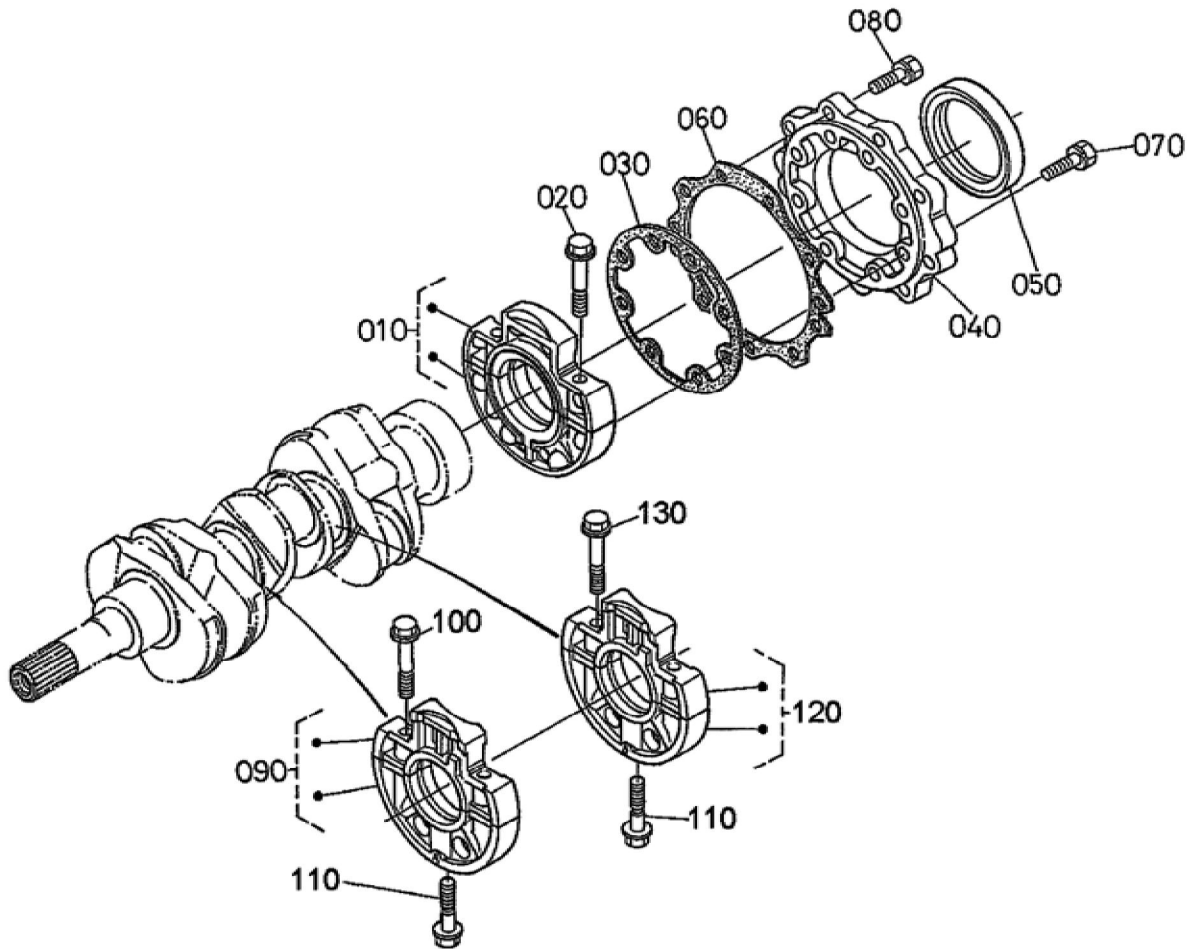
Update Date : 2018/10/24 Print Date : 2022/02/19

| No. | Part Number | Part Name (POL) | Part Name (ENG) | QTY | IC | Serial No./PIN | Kg | Remarks |
|-----|-------------|--------------------|---------------------|-----|----|----------------|-------|------------|
| 010 | H1600-21100 | PISTON,KIT | PISTON,KIT | 3 | | | 0.400 | STD |
| 010 | H1600-21900 | PISTON,KIT (05) | PISTON,KIT (05) | 3 | | | 0.415 | +0.5MM |
| 020 | 16261-21050 | GRP.KOLBEN RING | ASSY PISTON RING | 3 | | | 0.042 | STD |
| 020 | 16261-21090 | GRP.KOLBEN RING | ASSY PISTON RING | 3 | | | 0.050 | +0.5MM |
| 030 | 16241-21310 | KOLBENBOLZEN | PIN PISTON | 3 | | | 0.135 | |
| 040 | 16241-21330 | SEEGERING | CIR CLIP PISTON PIN | 6 | | | 0.002 | |
| 050 | 16241-22012 | PLEUELSTANGE KOMP. | ASSY CONNECTING ROD | 3 | | | 0.545 | |
| 060 | 16241-21980 | BUCHSE,KOLBENSTIFT | BUSH PISTON PIN | 3 | | | 0.003 | |
| 070 | 16241-22140 | BOLZEN | BOLT CONNECTING ROD | 6 | | | 0.024 | |
| 080 | 16241-22310 | LAGERSCHALE | METAL CRANKPIN | 3 | | | 0.038 | STD SET |
| 080 | 16241-22970 | LAGERSCHALE | METAL CRANKPIN | 3 | | | 0.080 | -0.2MM SET |
| 080 | 16241-22980 | LAGERSCHALE | METAL CRANKPIN | 3 | | | 0.100 | -0.4MM SET |
| 090 | 16265-23013 | KOMP.KURBELWELLE | COMP.CRANKSHAFT | 1 | | | 8.200 | |
| 110 | 07715-00401 | KUGEL | BALL | 3 | | | 0.001 | |
| 120 | 16241-24110 | ZAHNRAD | GEAR CRANK | 1 | | | 0.150 | |
| 130 | 16271-95230 | KEIL | KEY | 1 | | | 0.005 | |
| 140 | 16241-35630 | ZAHNRAD | GEAR OIL PUMP DRIVE | 1 | | | 0.102 | |
| 150 | 16241-23280 | MUFFE | SLEEVE CRANKSHAFT | 1 | | | 0.060 | |
| 160 | 16241-23250 | HALSRING | COLLAR CRANKSHAFT | 1 | | | 0.050 | |
| 170 | 04814-10280 | O RING | O-RING | 1 | | | 0.001 | |
| 180 | 16241-23470 | LAGERSCHALE | METAL CRANKSHAFT | 1 | | | 0.060 | STD |

Update Date : 2018/10/24 Print Date : 2022/02/19

| No. | Part Number | Part Name (POL) | Part Name (ENG) | QTY | IC | Serial No./PIN | Kg | Remarks |
|-----|-------------|-----------------|------------------|-----|----|----------------|-------|------------|
| 180 | 16241-23910 | LAGERSCHALE | METAL CRANKSHAFT | 1 | | | 0.030 | -0.2MM |
| 180 | 16241-23920 | LAGERSCHALE | METAL CRANKSHAFT | 1 | | | 0.068 | -0.4MM |
| 190 | 16241-23480 | LAGERSCHALE | METAL CRANKSHAFT | 2 | | | 0.050 | STD SET |
| 190 | 16241-23930 | LAGERSCHALE | METAL CRANKSHAFT | 2 | | | 0.100 | -0.2MM SET |
| 190 | 16241-23940 | LAGERSCHALE | METAL CRANKSHAFT | 2 | | | 0.050 | -0.4MM SET |
| 200 | 16241-23490 | LAGERSCHALE | METAL CRANKSHAFT | 1 | | | 0.000 | STD SET |
| 200 | 16241-23860 | LAGERSCHALE | METAL CRANKSHAFT | 1 | | | 0.100 | -0.2MM SET |
| 200 | 16241-23870 | LAGERSCHALE | METAL CRANKSHAFT | 1 | | | 0.068 | -0.4MM SET |
| 210 | 15521-23530 | LAGERSCHALE | METAL SIDE | 2 | | | 0.010 | STD |
| 210 | 15521-23950 | LAGERSCHALE | METAL SIDE | 2 | | | 0.010 | +0.2MM |
| 210 | 15521-23960 | LAGERSCHALE | METAL SIDE | 2 | | | 0.010 | +0.4MM |
| 220 | 19202-23540 | LAGERSCHALE | METAL SIDE | 2 | | | 0.010 | STD |
| 220 | 19202-23970 | LAGERSCHALE | METAL SIDE | 2 | | | 0.010 | +0.2MM |
| 220 | 19202-23980 | LAGERSCHALE | METAL SIDE | 2 | | | 0.010 | +0.4MM |

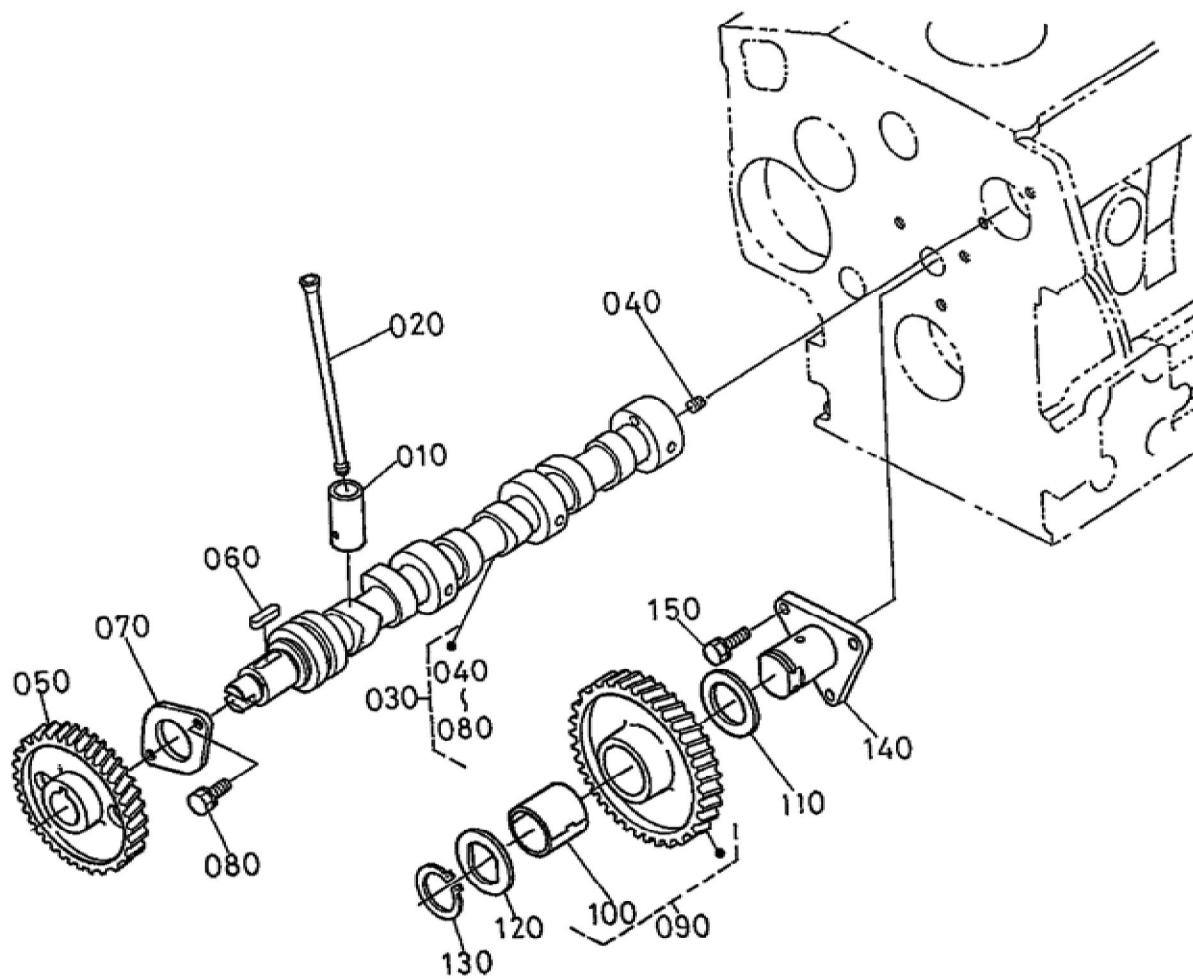
Update Date : 2018/10/24 Print Date : 2022/02/19



Update Date : 2018/10/24 Print Date : 2022/02/19

| No. | Part Number | Part Name (POL) | Part Name (ENG) | QTY | IC | Serial No./PIN | Kg | Remarks |
|-----|-------------|------------------------|--------------------------|-----|----|----------------|-------|---------|
| 010 | 16241-04092 | GRP.LAGERG EHAEUSE | ASSY CASE MAIN BRG. | 1 | | | 1.130 | |
| 020 | 16241-04540 | BOLZEN,LAG ERKASTEN | BOLT BEARING CASE | 6 | | | 0.020 | |
| 030 | 16264-04360 | DICHTUNG | GASKET BRG.CASE | 1 | | | 0.002 | |
| 040 | 16241-04813 | DECKEL,LAG ERKASTEN | COVER BEARING CASE | 1 | | | 0.220 | |
| 050 | 16241-04460 | OELDICHTUN GSRING | SEAL OIL | 1 | | | 0.020 | |
| 060 | 16264-04820 | DICHTUNGSP LATTE | GASKET | 1 | | | 0.008 | |
| 070 | 01023-50625 | BOLZEN | BOLT | 8 | | | 0.007 | |
| 080 | 01023-50620 | BOLZEN | BOLT | 9 | | | 0.006 | |
| 090 | 16261-04040 | GRP.LAGERG EHAEUSE | ASSY CASE MAIN BRG. | 1 | | | 0.900 | |
| 100 | 16241-04540 | BOLZEN,LAG ERKASTEN | BOLT BEARING CASE | 2 | | | 0.020 | |
| 110 | 16241-04560 | BOLZEN,LAG ERKASTEN | BOLT BEARING CASE | 2 | | | 0.030 | |
| 120 | 16261-04050 | GRP.LAGERG EHAEUSE | ASSY CASE MAIN BRG. | 1 | | | 1.110 | |
| 130 | 16241-04540 | BOLZEN,LAG ERKASTEN | BOLT BEARING CASE | 2 | | | 0.020 | |

Update Date : 2018/10/24 Print Date : 2022/02/19





Download the full PDF manual instantly.

Our customer service e-mail:

aservicemanualpdf@yahoo.com