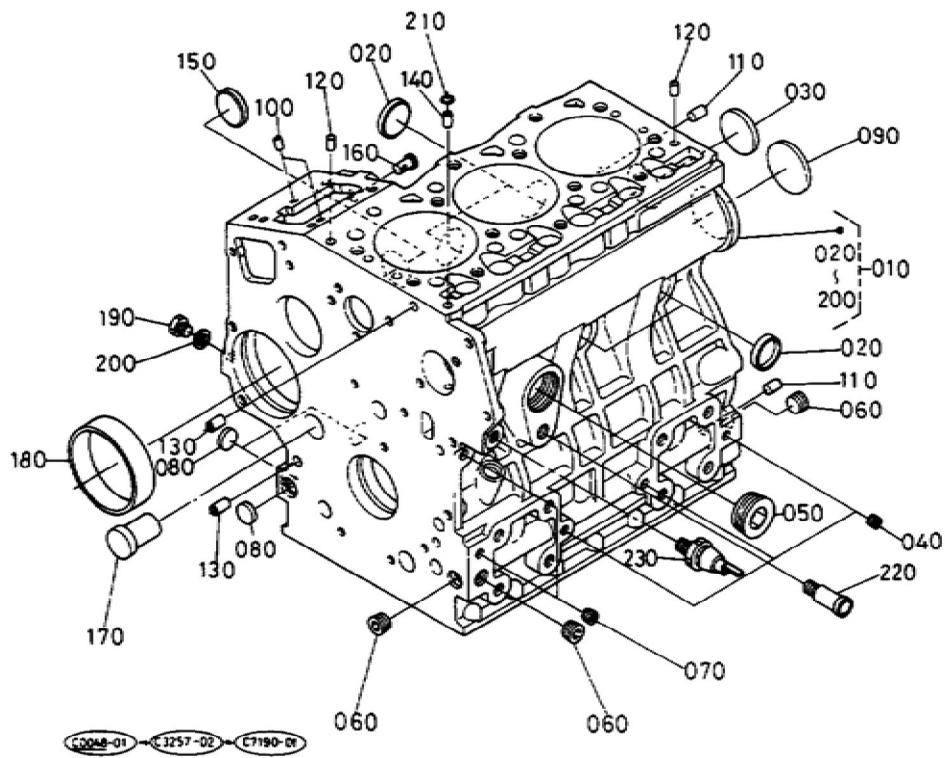
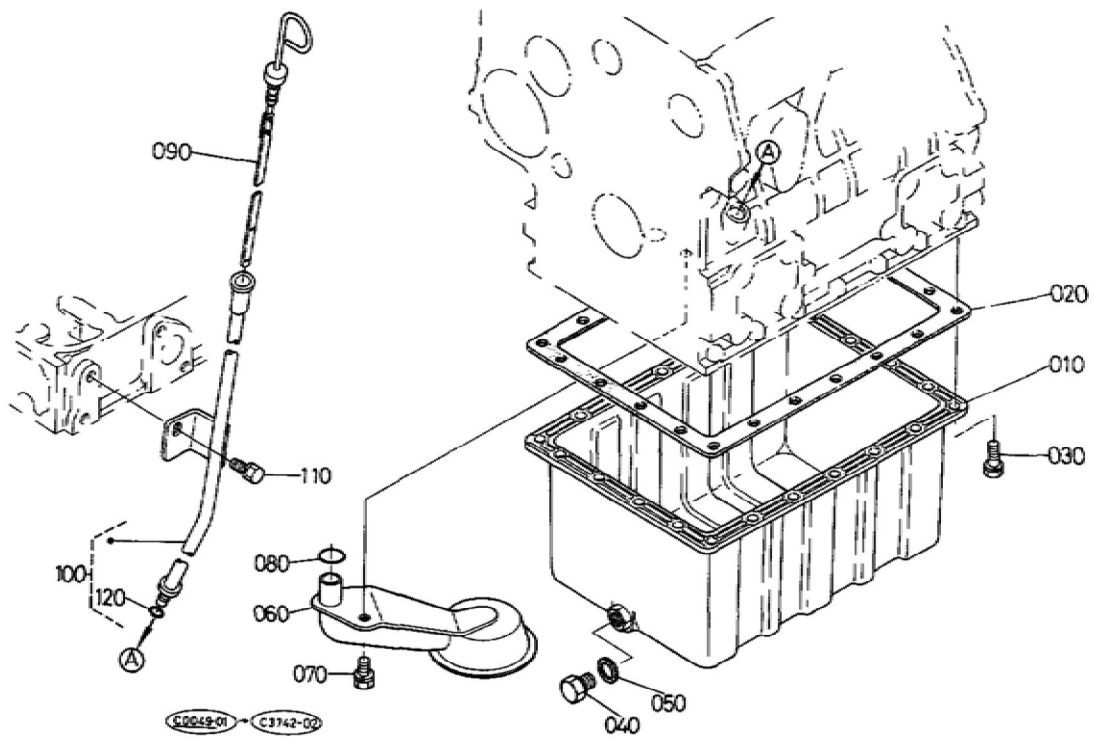


Update Date : 2017/06/16 Print Date : 2022/02/18



Update Date : 2017/06/16 Print Date : 2022/02/18

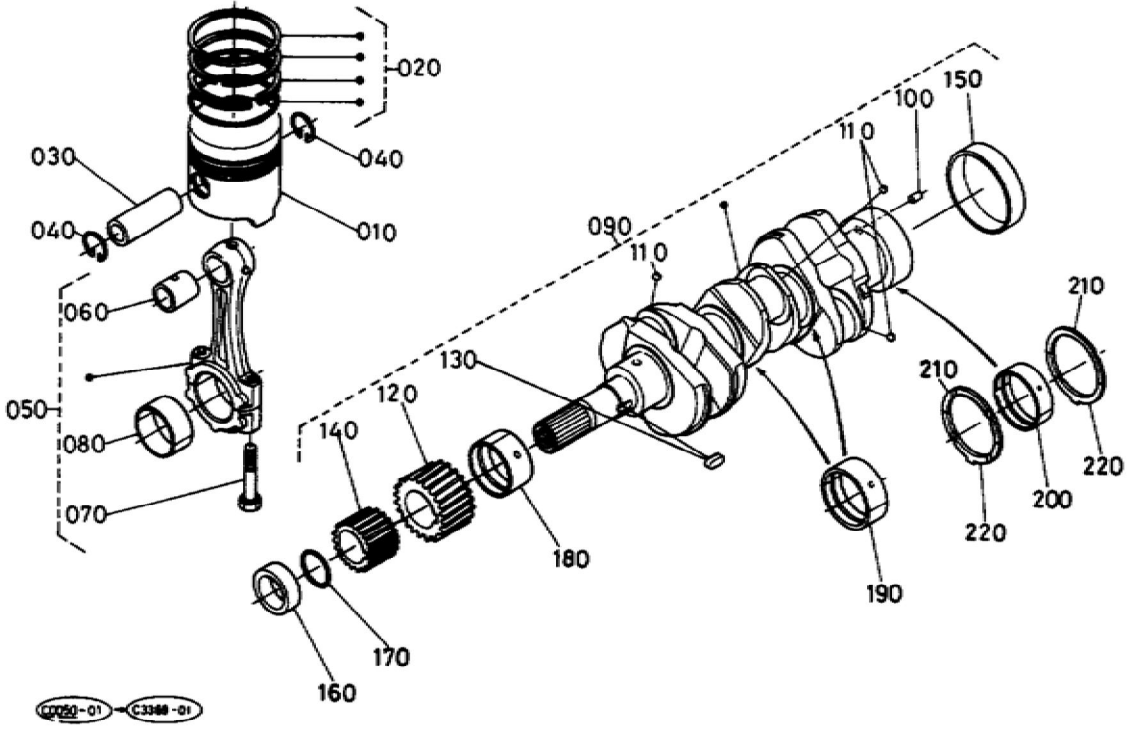
No.	Part Number	Part Name (POL)	Part Name (ENG)	QTY	IC	Serial No./PIN	Kg	Remarks
010	16265-01012	KOMP.KURBELGEHAEUSE	COMP.CRANKCASE	1		<=425160	0.000	
010	16265-01015	KOMP.KURBELGEHAEUSE	COMP.CRANKCASE	1	NI	=>425161	31.500	
020	15451-96270	KAPPE	CAP SEALING	4			0.010	
030	15221-03490	STOPFEN	CAP SEALING	1			0.020	
040	15261-96010	STOPFEN	PLUG	3			0.002	
050	16271-96020	STOPFEN	PLUG	1			0.000	
060	16241-96010	STOPFEN	PLUG	3			0.007	
070	1-552-196020	STOPFEN	PLUG	2			0.000	
080	06311-75018	STOPFEN	PLUG	3		<=308554	0.004	
080	17391-96160	STOPFEN	PLUG	3	>>	=>308555	0.003	
090	16271-96160	STOPFEN	PLUG	1			0.025	
100	05012-00508	ZYLINDERSTIFT	PIN STRAIGHT	2			0.001	
110	05012-00814	ZYLINDERSTIFT	PIN STRAIGHT	2			0.006	
120	05012-00610	ZYLINDERSTIFT	PIN STRAIGHT	2			0.003	
130	15231-33960	ROHRSTIFT	PIN PIPE	2			0.001	
140	16241-33650	ROHRSTIFT	PIN PIPE	1			0.002	
150	16241-96260	STOPFEN	PLUG	1			0.006	
160	16261-56280	STARTFEDERSTIFT	PIN START SPRING	1			0.004	
170	16282-96010	STOPFEN	PLUG	1			0.090	
180	16271-55350	BUCHSE	BUSH GOVERNOR GEAR	1			0.060	
190	15221-33610	STOPFEN	PLUG	1			0.009	
200	15021-33660	DICHTUNGSPLATTE	GASKET	1			0.001	
210	15221-33700	O RING	O RING	1			0.001	
220	15321-73340	WASSERROHR	PIPE WATER RETURN	1			0.016	
230	15531-39010	OELDRUCKSCHALTER	SWITCH OIL	1			0.032	



Update Date : 2017/06/16 Print Date : 2022/02/18

No.	Part Number	Part Name (POL)	Part Name (ENG)	QTY	IC	Serial No./PIN	Kg	Remarks
010	16264-01500	KOMP.OELW ANNE	COMP.OIL PAN	1			1.500	
020	16231-01620	DICHTUNG	GASKET OIL PAN	1			0.000	
030	01023-50612	BOLZEN	BOLT	22			0.005	
040	15221-33750	STOPFEN	PLUG	1			0.032	
050	15109-33660	DICHTUNGSP LATTE	GASKET	1			0.001	
060	16241-32110	OELFILTER	FILTER OIL	1			0.000	
070	01123-50816	BOLZEN	BOLT	1			0.011	
080	04814-00160	O RING	O RING	1			0.001	
090	16282-36410	OELMESSST AB	GAUGE OIL	1			0.000	
100	16282-36420	FUEHRUNG, OELMESSST AB	GUIDE OIL GAUGE	1		<=425160	0.110	
100	16282-36500	GRP.FUEHRU NG	ASSY GUIDE OIL GAUGE	1	NI	=>425161	0.110	
110	01123-50814	BOLZEN	BOLT	1			0.010	
120	04814-00090	O RING	O RING	1		=>425161	0.001	

Update Date : 2017/06/16 Print Date : 2022/02/18





Download the full PDF manual instantly.

Our customer service e-mail:

aservicemanualpdf@yahoo.com