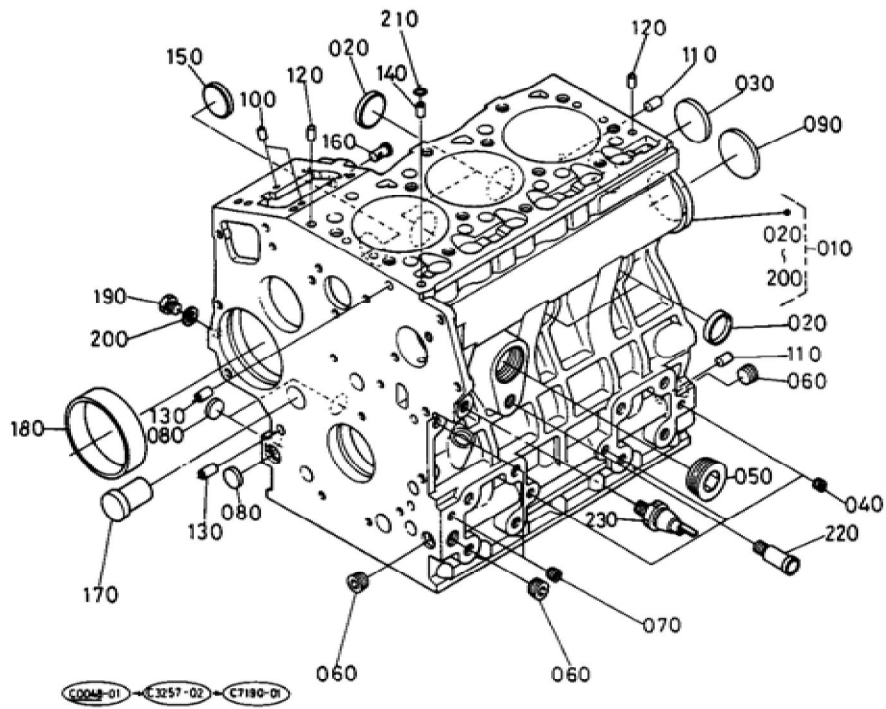
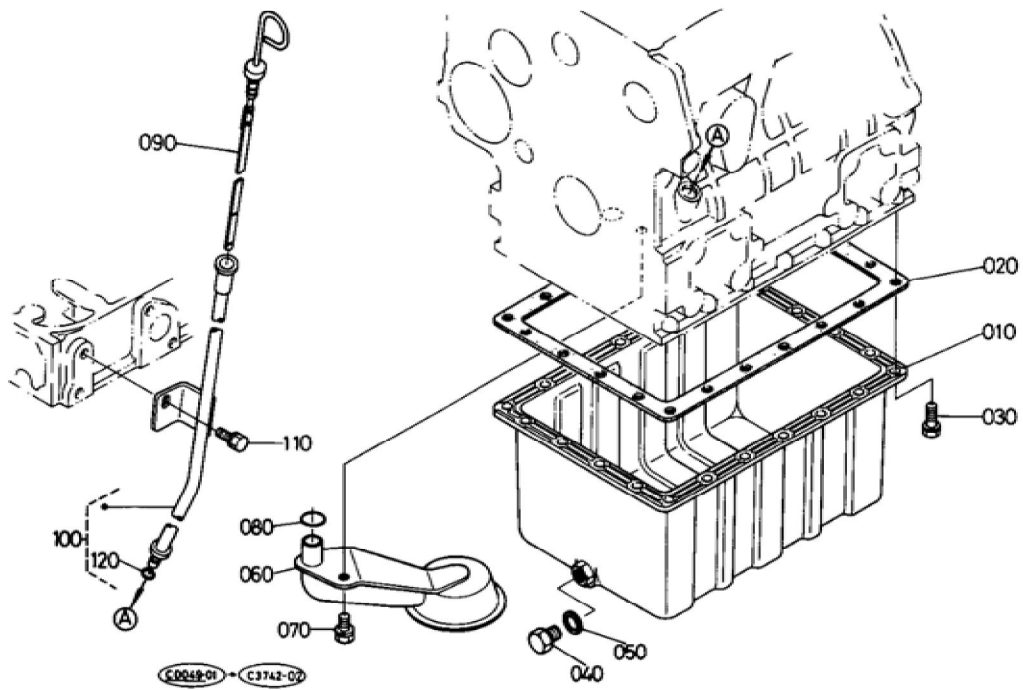


Update Date : 2017/06/16 Print Date : 2022/02/18



Update Date : 2017/06/16 Print Date : 2022/02/18

No.	Part Number	Part Name (POL)	Part Name (ENG)	QTY	IC	Serial No./PIN	Kg	Remarks
010	16265-01012	KOMP.KURBELGEHAEUSE	COMP.CRANKCASE	1		425160	0.000	
010	16265-01015	KOMP.KURBELGEHAEUSE	COMP.CRANKCASE	1	NI	425161	31.500	
010	16613-01010	KOMP.KURBELGEHAEUSE	COMP.CRANKCASE	1	>>	559356	31.470	
020	15451-96270	KAPPE	CAP SEALING	4			0.010	
030	15221-03490	STOPFEN	CAP SEALING	1			0.020	
040	15261-96010	STOPFEN	PLUG	3			0.002	
050	16271-96020	STOPFEN	PLUG	1			0.000	
060	16241-96010	STOPFEN	PLUG	3			0.007	
070	15521-96020	STOPFEN	PLUG	2			0.003	
080	06311-75018	STOPFEN	PLUG	3		308554	0.004	
080	17391-96160	STOPFEN	PLUG	3	>>	308555	0.003	
090	16271-96160	STOPFEN	PLUG	1			0.025	
100	05012-00508	ZYLINDERSTIFT	PIN STRAIGHT	2			0.001	
110	05012-00814	ZYLINDERSTIFT	PIN STRAIGHT	2			0.006	
120	05012-00610	ZYLINDERSTIFT	PIN STRAIGHT	2			0.003	
130	15231-33960	ROHRSTIFT	PIN PIPE	2			0.001	
140	16241-33650	ROHRSTIFT	PIN PIPE	1			0.002	
150	16241-96260	STOPFEN	PLUG	1			0.006	
160	16261-56280	STARTFEDERSTIFT	PIN START SPRING	1			0.004	
170	16282-96010	STOPFEN	PLUG	1			0.090	
180	16271-55350	BUCHSE	BUSH GOVERNOR GEAR	1			0.060	
190	15221-33610	STOPFEN	PLUG	1			0.009	
200	15021-33660	DICHTUNGSPLATTE	GASKET	1			0.001	
210	15221-33700	O RING	O RING	1			0.001	
220	15321-73340	WASSERROHR	PIPE WATER RETURN	1			0.016	
230	15531-39010	OELDRUCKSCHALTER	SWITCH OIL	1			0.032	

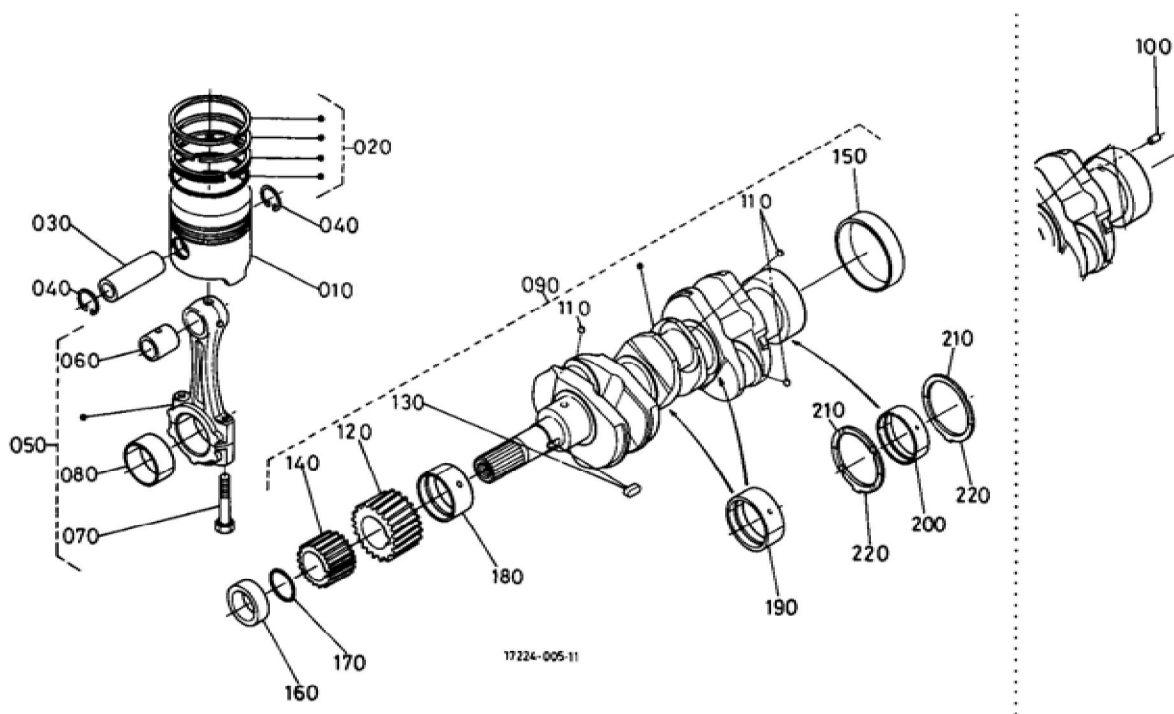


BKIDA0081 >> KX61(H) >> MOTOR / BASIC ENGINE >> S00200 OELWANNE / OIL PAN

Update Date : 2017/06/16 Print Date : 2022/02/18

No.	Part Number	Part Name (POL)	Part Name (ENG)	QTY	IC	Serial No./PIN	Kg	Remarks
010	16264-01500	KOMP.OELW ANNE	COMP.OIL PAN	1			1.500	
020	16231-01620	DICHTUNG	GASKET OIL PAN	1		534271	0.000	
020	16266-01620	DICHTUNG	GASKET OIL PAN NA	1	>>	534272	0.028	
030	01023-50612	BOLZEN	BOLT	22			0.005	
040	15221-33750	STOPFEN	PLUG	1			0.032	
050	15109-33660	DICHTUNGSP LATTE	GASKET	1			0.001	
060	16241-32110	OELFILTER	FILTER OIL	1		741870	0.000	
060	16241-32114	OELFILTER	FILTER OIL	1	>>	10001	0.250	
070	01123-50816	BOLZEN	BOLT	1			0.011	
080	04814-00160	O RING	O RING	1			0.001	
090	16282-36410	OELMESSST AB	GAUGE OIL	1			0.000	
100	16282-36420	FUEHRUNG, OELMESSST AB	GUIDE OIL GAUGE	1		425160	0.110	
100	16282-36500	GRP.FUEHRU NG	ASSY GUIDE OIL GAUGE	1	NI	425161	0.110	
110	01123-50814	BOLZEN	BOLT	1			0.010	
120	04814-00090	O RING	O RING	1		425161	0.001	

Update Date : 2017/06/16 Print Date : 2022/02/18



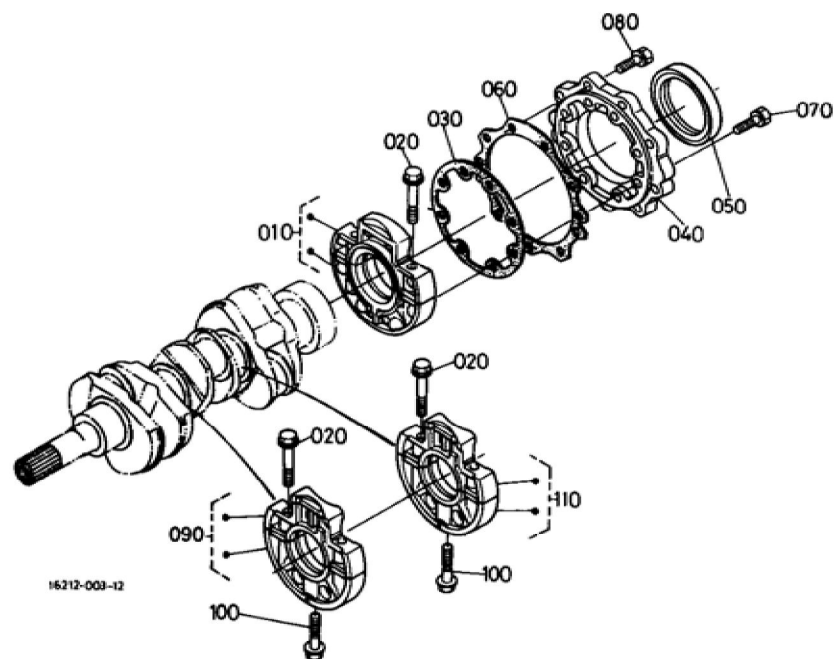
Update Date : 2017/06/16 Print Date : 2022/02/18

No.	Part Number	Part Name (POL)	Part Name (ENG)	QTY	IC	Serial No./PIN	Kg	Remarks
010	16281-21110	KOLBEN	PISTON	3		489915	0.000	STD
010	H1600-21100	PISTON,KIT	PISTON,KIT	3		489916	0.400	STD
010	16281-21910	KOLBEN	PISTON	3		489915	0.000	+0.5MM
010	H1600-21900	PISTON,KIT (05)	PISTON,KIT (05)	3		489916	0.415	+0.5MM
020	16261-21050	GRP.KOLBEN RING	ASSY PISTON RING	3			0.042	STD
020	16261-21090	GRP.KOLBEN RING	ASSY PISTON RING	3			0.050	+0.5MM
030	16241-21310	KOLBENBOLZEN	PIN PISTON	3			0.135	
040	16241-21330	SEEGERING	CIR CLIP PISTON PIN	6			0.002	
050	16241-22012	PLEUELSTANGE KOMP.	ASSY CONNECTING ROD	3			0.545	
060	16241-21980	BUCHSE,KOLBENSTIFT	BUSH PISTON PIN	3			0.003	
070	16241-22140	BOLZEN	BOLT CONNECTING ROD	6			0.024	
080	16241-22310	LAGERSCHALE	METAL CRANKPIN	3			0.038	STD SET
080	16241-22970	LAGERSCHALE	METAL CRANKPIN	3			0.080	-0.2MM SET
080	16241-22980	LAGERSCHALE	METAL CRANKPIN	3			0.100	-0.4MM SET
090	16265-23010	KOMP.KURBELWELLE	COMP.CRANKSHAFT	1		482630	0.000	
090	16265-23013	KOMP.KURBELWELLE	COMP.CRANKSHAFT	1	<<	482631	8.200	
100	05012-00508	ZYLINDERSTIFT	PIN STRAIGHT	1		459953	0.001	
110	07715-00401	KUGEL	BALL	3			0.001	
120	16241-24110	ZAHNRAD	GEAR CRANKSHAFT	1			0.150	
130	16271-95230	KEIL	KEY	1			0.005	
140	16241-35630	ZAHNRAD	GEAR OIL PUMP DRIVE	1			0.102	

Update Date : 2017/06/16 Print Date : 2022/02/18

No.	Part Number	Part Name (POL)	Part Name (ENG)	QTY	IC	Serial No./PIN	Kg	Remarks
150	16241-23280	MUFFE	SLEEVE CRANKSHAF T	1			0.060	
160	16241-23250	HALSRING	COLLAR CRANKSHAF T	1			0.050	
170	15667-96750	O RING	O RING	1			0.020	
180	16241-23470	LAGERSCHA LE	METAL CRANKSHAF T	1			0.060	STD
180	16241-23910	LAGERSCHA LE	METAL CRANKSHAF T	1			0.030	-0.2MM
180	16241-23920	LAGERSCHA LE	METAL CRANKSHAF T	1			0.068	-0.4MM
190	16241-23480	LAGERSCHA LE	METAL CRANKSHAF T	2			0.050	STD SET
190	16241-23930	LAGERSCHA LE	METAL CRANKSHAF T	2			0.100	-0.2MM SET
190	16241-23940	LAGERSCHA LE	METAL CRANKSHAF T	2			0.050	-0.4MM SET
200	16241-23490	LAGERSCHA LE	METAL CRANKSHAF T	1			0.000	STD SET
200	16241-23860	LAGERSCHA LE	METAL CRANKSHAF T	1			0.100	-0.2MM SET
200	16241-23870	LAGERSCHA LE	METAL CRANKSHAF T	1			0.068	-0.4MM SET
210	15521-23530	LAGERSCHA LE	METAL SIDE	2			0.010	STD
210	15521-23950	LAGERSCHA LE	METAL SIDE	2			0.010	+0.2MM
210	15521-23960	LAGERSCHA LE	METAL SIDE	2			0.010	+0.4MM
220	19202-23540	LAGERSCHA LE	METAL SIDE	2			0.010	STD
220	19202-23970	LAGERSCHA LE	METAL SIDE	2			0.010	+0.2MM
220	19202-23980	LAGERSCHA LE	METAL SIDE	2			0.010	+0.4MM

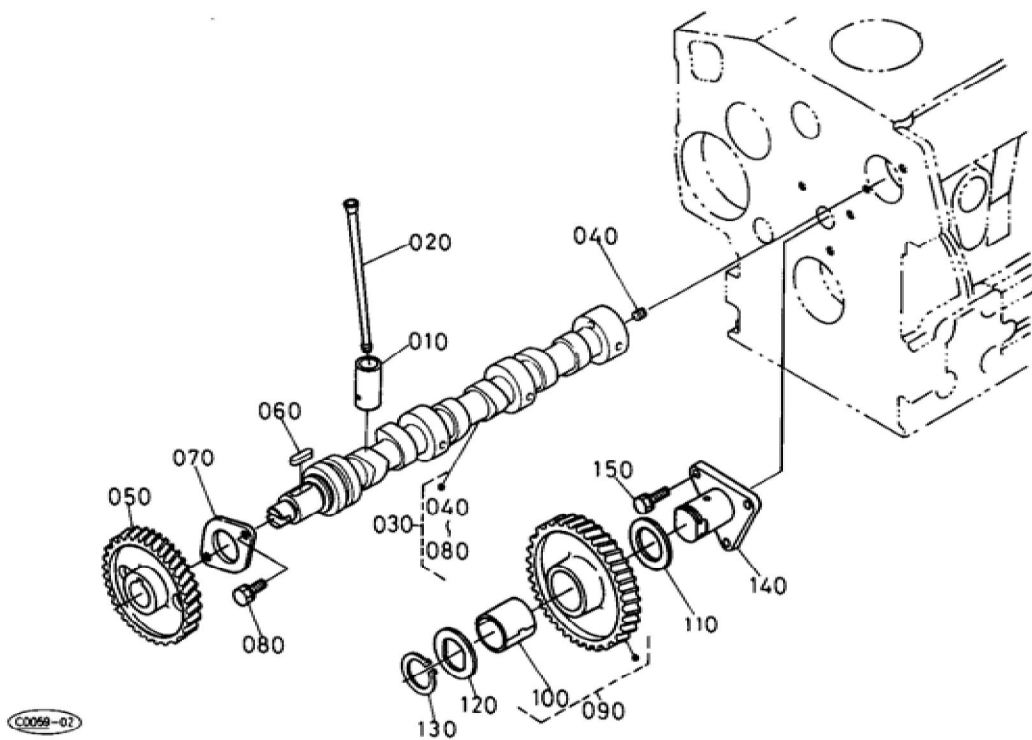
Update Date : 2017/06/16 Print Date : 2022/02/18



Update Date : 2017/06/16 Print Date : 2022/02/18

No.	Part Number	Part Name (POL)	Part Name (ENG)	QTY	IC	Serial No./PIN	Kg	Remarks
010	16261-04090	GRP.LAGERG EHAEUSE	ASSY CASE MAIN BRG.	1		568291	0.000	
010	16241-04092	GRP.LAGERG EHAEUSE	ASSY CASE MAIN BRG.	1	=	568292	1.130	
020	16241-04540	BOLZEN,LAG ERKASTEN	BOLT BEARING CASE	6			0.020	
030	16241-04360	DICHTUNG,L AGER	GASKET BRG.CASE	1		534271	0.000	
030	16264-04360	DICHTUNG	GASKET BRG.CASE	1	>>	534272	0.002	
040	16241-04810	DECKEL,LAG ERKASTEN	COVER BEARING CASE	1		475253	0.000	
040	16241-04813	DECKEL,LAG ERKASTEN	COVER BEARING CASE	1	>>	475254	0.220	
050	16241-04460	OELDICHTUN GSRING	SEAL OIL	1			0.020	
060	16299-04820	DICHTUNGSP LATTE	GASKET BRG.CASE COV.	1		534271	0.000	
060	16264-04820	DICHTUNGSP LATTE	GASKET BRG.CASE COV.	1	>>	534272	0.008	
070	01023-50625	BOLZEN	BOLT	8			0.007	
080	01023-50620	BOLZEN	BOLT	9			0.006	
090	16261-04040	GRP.LAGERG EHAEUSE	ASSY CASE MAIN BRG.	1			0.900	
100	16241-04560	BOLZEN,LAG ERKASTEN	BOLT BEARING CASE	2			0.030	
110	16261-04050	GRP.LAGERG EHAEUSE	ASSY CASE MAIN BRG.	1			1.110	

Update Date : 2017/06/16 Print Date : 2022/02/18

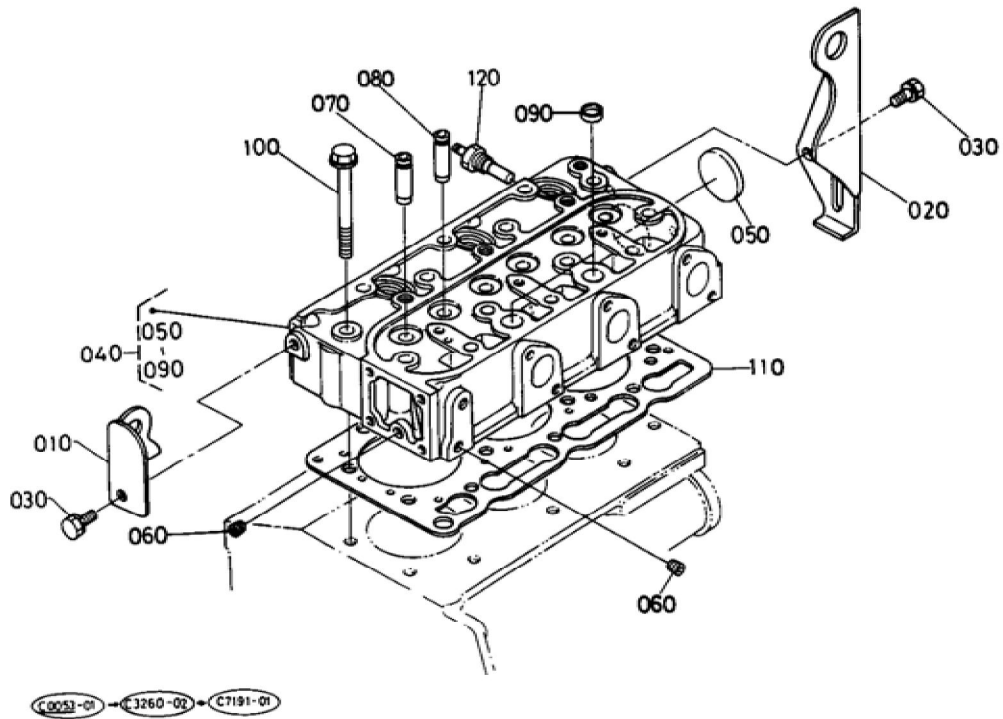


BKIDA0081 >> KX61(H) >> MOTOR / BASIC ENGINE >> S00500 NOCKENWELLE / CAMSHAFT

Update Date : 2017/06/16 Print Date : 2022/02/18

No.	Part Number	Part Name (POL)	Part Name (ENG)	QTY	IC	Serial No./PIN	Kg	Remarks
010	16261-15550	STOESSEL	TAPPET	6			0.035	
020	16241-15110	STOESSELSTANGE	PUSH ROD	6			0.030	
030	16261-16010	GRP.NOCKENWELLE	ASSY CAMSHAFT	1			1.700	
040	15521-93610	ANSCHLAGSCHRAUBE	SCREW SET	1			0.002	
050	16241-16510	ZAHNRAD	GEAR CAMSHAFT	1			0.450	
060	05712-00518	KEIL	KEY FEATHER	1			0.003	
070	16241-16270	NOCKENWELLENSPERRPLATTE	STOPPER CAMSHAFT	1			0.040	
080	01023-50614	BOLZEN	BOLT	2			0.005	
090	16271-24010	ZAHNRAD	COMP GEAR IDLE	1			0.600	
100	16271-24980	BUCHSE	BUSH IDLE GEAR	1			0.020	
110	16241-24360	HUELSE	COLLAR IDLE GEAR	1			0.010	
120	16241-24370	HUELSE	COLLAR IDLE GEAR	1			0.012	
130	16241-24320	SEEGERING	CIR CLIP IDLE GEAR	1			0.003	
140	16241-24250	WELLE	SHAFT IDLE GEAR	1			0.255	
150	01023-50616	BOLZEN	BOLT	3			0.006	

Update Date : 2017/06/16 Print Date : 2022/02/18





Download the full PDF manual instantly.

Our customer service e-mail:

aservicemanualpdf@yahoo.com