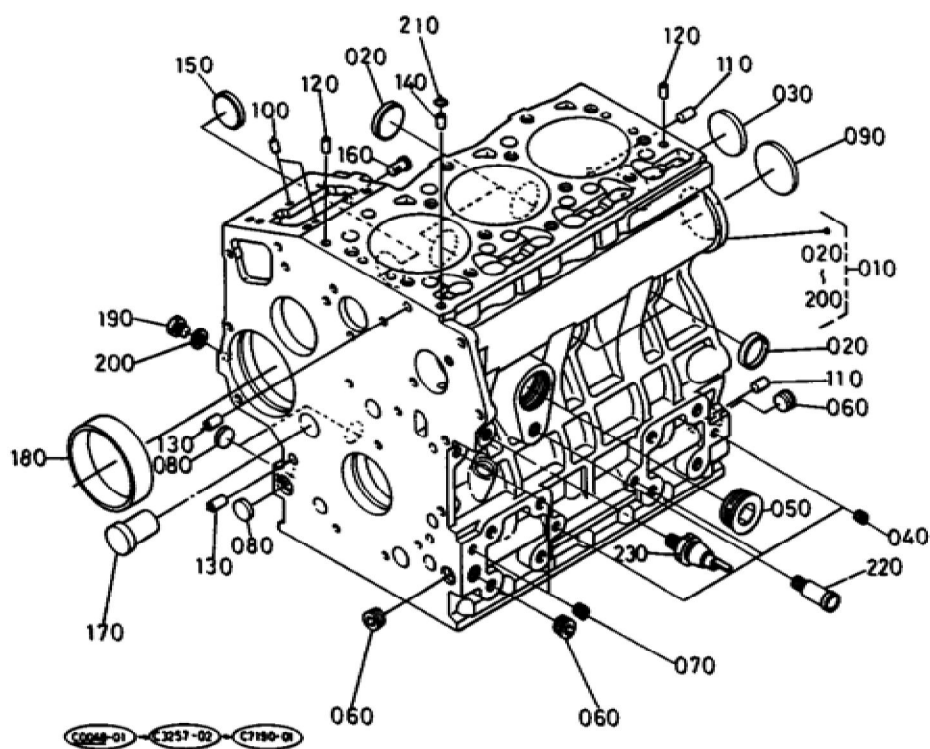
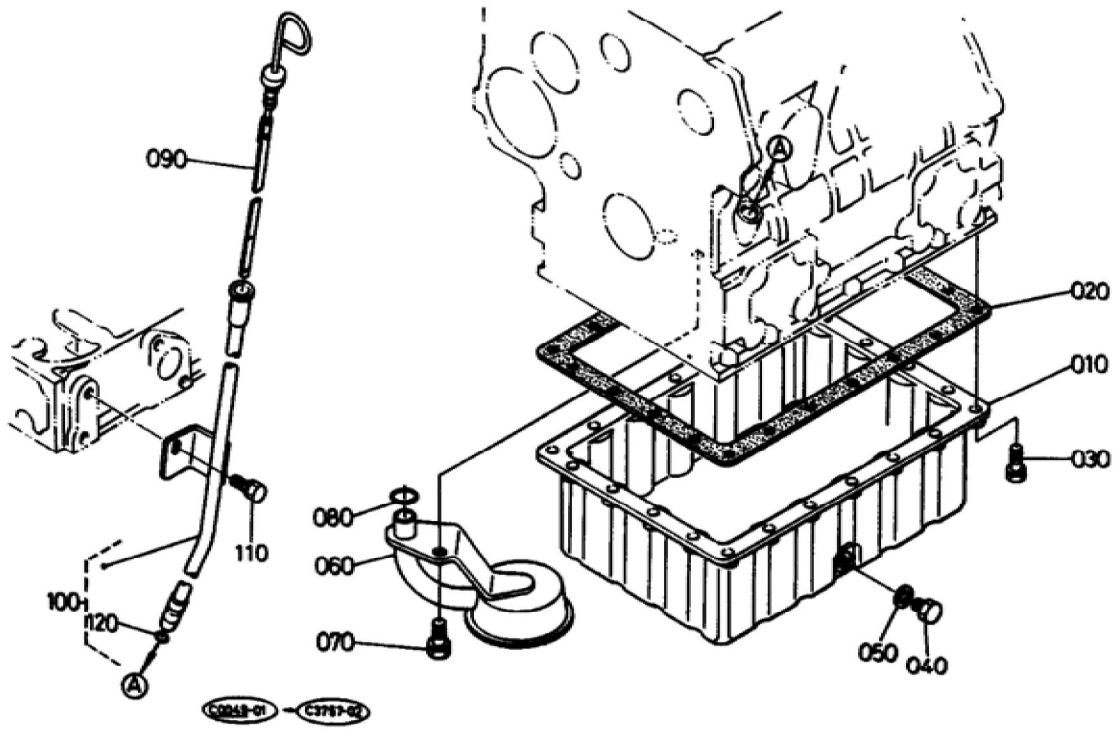


Update Date : 2017/05/12 Print Date : 2022/02/18



Update Date : 2017/05/12 Print Date : 2022/02/18

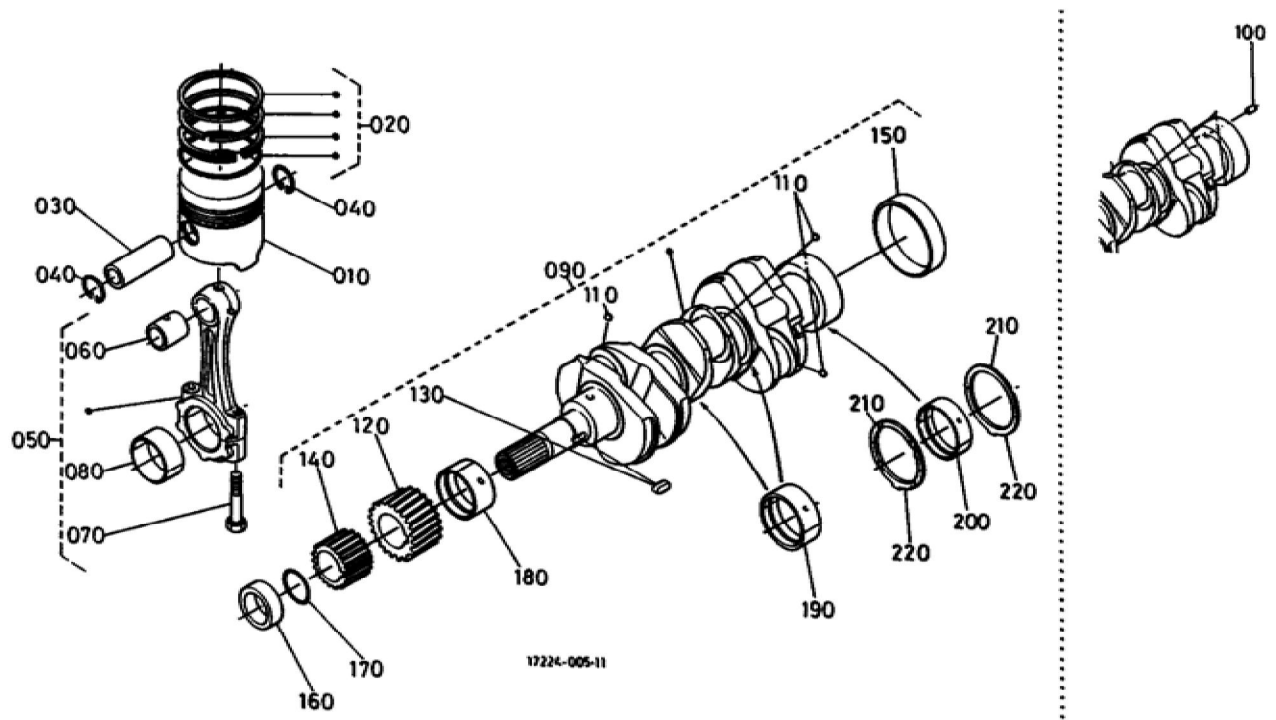
No.	Part Number	Part Name (POL)	Part Name (ENG)	QTY	IC	Serial No./PIN	Kg	Remarks
010	16265-01012	KOMP.KURBELGEHAEUSE	COMP.CRANKCASE	1		<=425160	0.000	
010	16265-01015	KOMP.KURBELGEHAEUSE	COMP.CRANKCASE	1	>>	=>425161	31.500	
010	16613-01010	KOMP.KURBELGEHAEUSE	COMP.CRANKCASE	1	>>	=>559356	31.470	
020	15451-96270	KAPPE	CAP SEALING	4			0.010	
030	15221-03490	STOPFEN	CAP SEALING	1			0.020	
040	15261-96010	STOPFEN	PLUG	3			0.002	
050	16683-96020	STOPFEN	PLUG	1			0.088	
060	16241-96010	STOPFEN	PLUG	3			0.007	
070	15521-96020	STOPFEN	PLUG	2			0.003	
080	06311-75018	STOPFEN	PLUG	3		<=308554	0.004	
080	17391-96160	STOPFEN	PLUG	3	>>	=>308555	0.003	
090	16271-96160	STOPFEN	PLUG	1			0.025	
100	05012-00508	ZYLINDERSTIFT	PIN STRAIGHT	2			0.001	
110	05012-00814	ZYLINDERSTIFT	PIN STRAIGHT	2			0.006	
120	05012-00610	ZYLINDERSTIFT	PIN STRAIGHT	2			0.003	
130	15231-33960	ROHRSTIFT	PIN PIPE	2			0.001	
140	16241-33650	ROHRSTIFT	PIN PIPE	1			0.002	
150	16241-96260	STOPFEN	PLUG	1			0.006	
160	16261-56280	STARTFEDERSTIFT	PIN START SPRING	1			0.004	
170	16282-96010	STOPFEN	PLUG	1			0.090	
180	16271-55350	BUCHSE	BUSH GOVERNOR GEAR	1			0.060	
190	15221-33610	STOPFEN	PLUG	1			0.009	
200	15021-33660	DICHTUNGSPLATTE	GASKET	1			0.001	
210	15221-33700	O RING	O RING	1			0.001	
220	15321-73340	WASSERROHR	PIPE WATER RETURN	1			0.016	
230	15531-39010	OELDRUCKSCHALTER	SWITCH OIL	1			0.032	



Update Date : 2017/05/12 Print Date : 2022/02/18

No.	Part Number	Part Name (POL)	Part Name (ENG)	QTY	IC	Serial No./PIN	Kg	Remarks
010	16204-01610	OELWANNE	OIL PAN	1			3.600	
020	16261-01620	DICHTUNG	GASKET OIL PAN	1		<=534271	0.000	
020	16261-01630	DICHTUNG	GASKET OIL PAN NA	1	>>	=>534272	0.001	
030	01023-50618	BOLZEN	BOLT	22			0.006	
040	15221-33750	STOPFEN	PLUG	1			0.032	
050	15109-33660	DICHTUNGSP LATTE	GASKET	1			0.001	
060	16261-32110	OELFILTER	FILTER OIL	1		<=534271	0.000	
060	16261-32113	OELFILTER	FILTER OIL	1	>>	=>534272	0.210	
070	01123-50816	BOLZEN	BOLT	1			0.011	
080	04814-00160	O RING	O RING	1			0.001	
090	16204-36410	OELMESSST AB	GAUGE OIL	1			0.000	
100	16282-36420	FUEHRUNG, OELMESSST AB	GUIDE OIL GAUGE	1		<=425160	0.110	
100	16282-36500	GRP.FUEHRU NG	ASSY GUIDE OIL GAUGE	1	NI	=>425161	0.110	
110	01123-50814	BOLZEN	BOLT	1			0.010	
120	04814-00090	O RING	O RING	1		=>425161	0.001	

Update Date : 2017/05/12 Print Date : 2022/02/18



Update Date : 2017/05/12 Print Date : 2022/02/18

No.	Part Number	Part Name (POL)	Part Name (ENG)	QTY	IC	Serial No./PIN	Kg	Remarks
010	16281-21110	KOLBEN	PISTON	3		<=489915	0.000	STD
010	H1600-21100	PISTON,KIT	PISTON,KIT	3		=>489916	0.400	BITTE UEBER MASCHINENV ERKAUFSABT EILUNG ORDERN
010	H1600-21100	PISTON,KIT	PISTON,KIT	3		=>489916	0.400	BITTE UEBER MASCHINENV ERKAUFSABT EILUNG ORDERN
010	16281-21910	KOLBEN	PISTON	3		<=489915	0.000	+0.5MM
010	H1600-21900	PISTON,KIT (05)	PISTON,KIT (05)	3		=>489916	0.415	BITTE UEBER MASCHINENV ERKAUFSABT EILUNG ORDERN
010	H1600-21900	PISTON,KIT (05)	PISTON,KIT (05)	3		=>489916	0.415	BITTE UEBER MASCHINENV ERKAUFSABT EILUNG ORDERN
020	16261-21050	GRP.KOLBEN RING	ASSY PISTON RING	3			0.042	STD
020	16261-21090	GRP.KOLBEN RING	ASSY PISTON RING	3			0.050	+0.5MM
030	16241-21310	KOLBENBOLZEN	PIN PISTON	3			0.135	
040	16241-21330	SEEGERING	CIR CLIP PISTON PIN	6			0.002	
050	16241-22012	PLEUELSTANGE KOMP.	ASSY CONNECTING ROD	3			0.545	
060	16241-21980	BUCHSE,KOLBENSTIFT	BUSH PISTON PIN	3			0.003	
070	16241-22140	BOLZEN	BOLT CONNECTING ROD	6			0.024	
080	16241-22310	LAGERSCHALE	METAL CRANKPIN	3			0.038	SET STD
080	16241-22970	LAGERSCHALE	METAL CRANKPIN	1			0.080	SET -0.2MM
080	16241-22980	LAGERSCHALE	METAL CRANKPIN	1			0.100	SET -0.4MM
090	16265-23010	KOMP.KURBELWELLE	COMP.CRANKSHAFT	1		<=482630	0.000	
090	16265-23013	KOMP.KURBELWELLE	COMP.CRANKSHAFT	1	<<	=>482631	8.200	

Update Date : 2017/05/12 Print Date : 2022/02/18

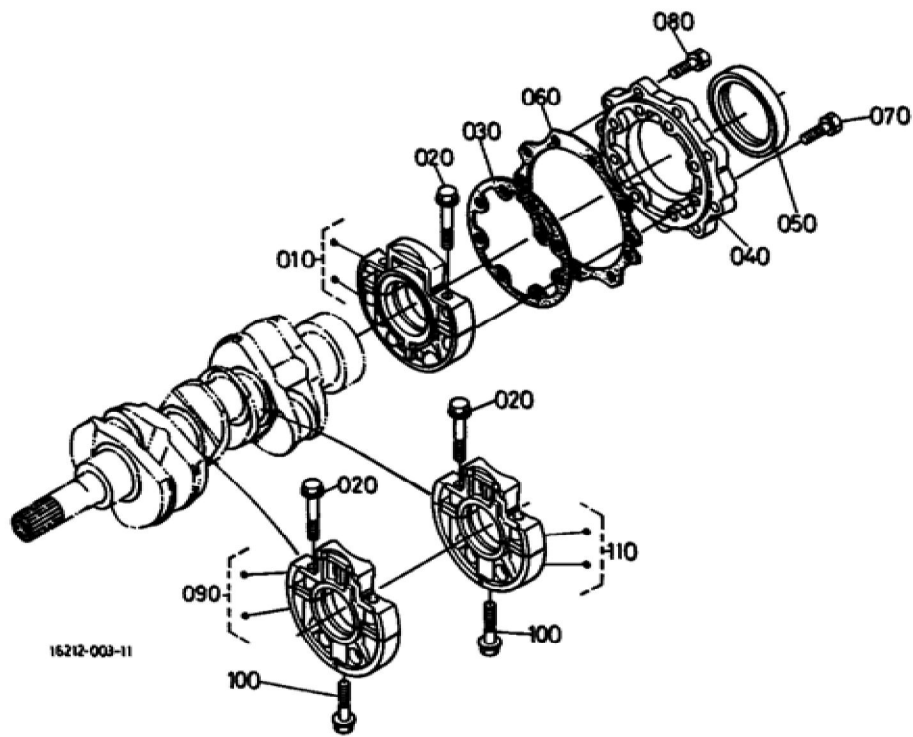
No.	Part Number	Part Name (POL)	Part Name (ENG)	QTY	IC	Serial No./PIN	Kg	Remarks
100	05012-00508	ZYLINDERSTIFT	PIN STRAIGHT	1		<=482630	0.001	
110	07715-00401	KUGEL	BALL	3			0.001	
120	16241-24110	ZAHNRAD	GEAR CRANKSHAFT	1			0.150	
130	16271-95230	KEIL	KEY	1			0.005	
140	16241-35630	ZAHNRAD	GEAR OIL PUMP DRIVE	1			0.102	
150	16241-23280	MUFFE	SLEEVE CRANKSHAFT	1			0.060	
160	16241-23250	HALSRING	COLLAR CRANKSHAFT	1			0.050	
170	15667-96750	O RING	O RING	1			0.020	
180	16241-23470	LAGERSCHALE	METAL CRANKSHAFT	1			0.060	STD
180	16241-23910	LAGERSCHALE	METAL CRANKSHAFT	1			0.030	-0.2MM
180	16241-23920	LAGERSCHALE	METAL CRANKSHAFT	1			0.068	-0.4MM
190	16241-23480	LAGERSCHALE	METAL CRANKSHAFT	2			0.050	SET STD
190	16241-23930	LAGERSCHALE	METAL CRANKSHAFT	2			0.100	SET -0.2MM
190	16241-23940	LAGERSCHALE	METAL CRANKSHAFT	2			0.050	SET -0.4MM
200	16241-23490	LAGERSCHALE	METAL CRANKSHAFT	1			0.000	SET STD
200	16241-23860	LAGERSCHALE	METAL CRANKSHAFT	1			0.100	SET -0.2MM
200	16241-23870	LAGERSCHALE	METAL CRANKSHAFT	1			0.068	SET -0.4MM
210	15521-23530	LAGERSCHALE	METAL SIDE	2			0.010	STD
210	15521-23950	LAGERSCHALE	METAL SIDE	2			0.010	+0.2MM
210	15521-23960	LAGERSCHALE	METAL SIDE	2			0.010	+0.4MM

Update Date : 2017/05/12 Print Date : 2022/02/18

No.	Part Number	Part Name (POL)	Part Name (ENG)	QTY	IC	Serial No./PIN	Kg	Remarks
220	19202-23540	LAGERSCHALE	METAL SIDE	2			0.010	STD
220	19202-23970	LAGERSCHALE	METAL SIDE	2			0.010	+0.2MM
220	19202-23980	LAGERSCHALE	METAL SIDE	2			0.010	+0.4MM



Update Date : 2017/05/12 Print Date : 2022/02/18





**Download the full PDF manual instantly.**

**Our customer service e-mail:**

**[aservicemanualpdf@yahoo.com](mailto:aservicemanualpdf@yahoo.com)**