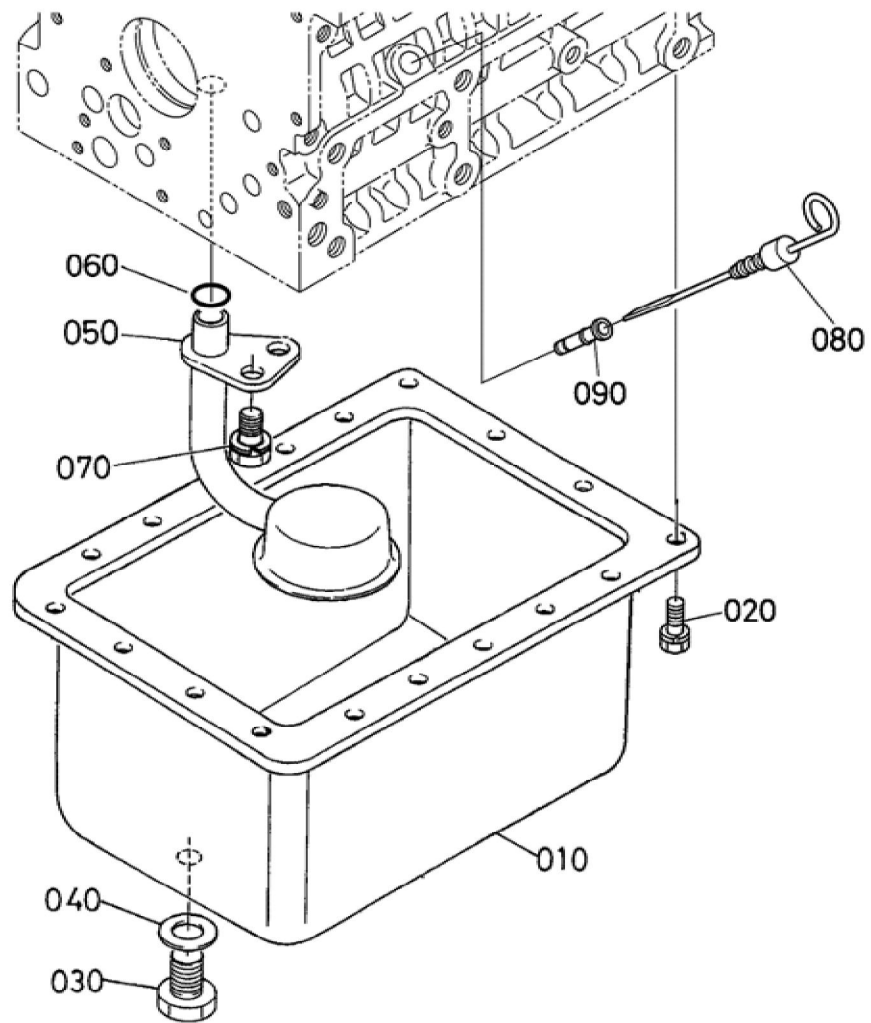


BKIDA0191 >> KX41-3S(V) >> MOTOR / ENGINE >> S00100 KURBELGEHAEUSE / CRANKCASE

Update Date : 2020/03/13 Print Date : 2022/02/18

No.	Part Number	Part Name (POL)	Part Name (ENG)	QTY	IC	Serial No./PIN	Kg	Remarks
010	1G470-01015	KOMP.KURBELGEHAEUSE	COMP.CRANKCASE	1			23.000	
020	16851-96260	KAPPE	CAP SEALING	3			0.005	
030	16851-96270	KAPPE	CAP SEALING	3			0.005	
040	06311-85025	STOEPSSELABDICHTUNG	CAP SEALING	2			0.010	
050	15451-96270	KAPPE	CAP SEALING	2			0.010	
060	15261-96010	STOPFEN	PLUG	5			0.002	
070	15521-96020	STOPFEN	PLUG	3			0.003	
080	15521-96030	STOPFEN	PLUG	1			0.007	
090	15261-96160	STOPFEN	PLUG EXPANSION	1			0.020	
100	05012-00508	ZYLINDERSTIFT	PIN STRAIGHT	2			0.001	
110	05012-00814	ZYLINDERSTIFT	PIN STRAIGHT	2			0.006	
120	15221-33650	ROHRSTIFT	PIN PIPE	1			0.004	
130	15231-33960	ROHRSTIFT	PIN PIPE	2			0.001	
140	17331-59190	ROHRSTIFT	PIN PIPE	2			0.002	
150	16851-16212	DECKEL	COVER FUEL CAMSHAFT	1			0.030	
160	15221-33700	O RING	O-RING	1			0.001	
170	06311-55020	STOPFEN	PLUG	1			0.031	
180	04724-00130	DICHTUNGSPLATTE	GASKET	1			0.003	
190	16851-35012	GRP.OELPUMPE	ASSY PUMP OIL	1			0.240	
200	16851-35152	DICHTUNG,OELPUMPE	GASKET OIL PUMP	1			0.001	
210	15841-91050	BOLZEN	BOLT	3			0.010	
220	15841-35660	ZAHNRAD	GEAR OIL PUMP DRIVE	1			0.113	
230	05712-00408	KEIL	KEY FEATHER	1			0.001	
240	02783-50100	MUTTER	NUT FLANGE	1			0.010	
250	15531-39010	OELDRUCKSCHALTER	SWITCH OIL	1			0.032	

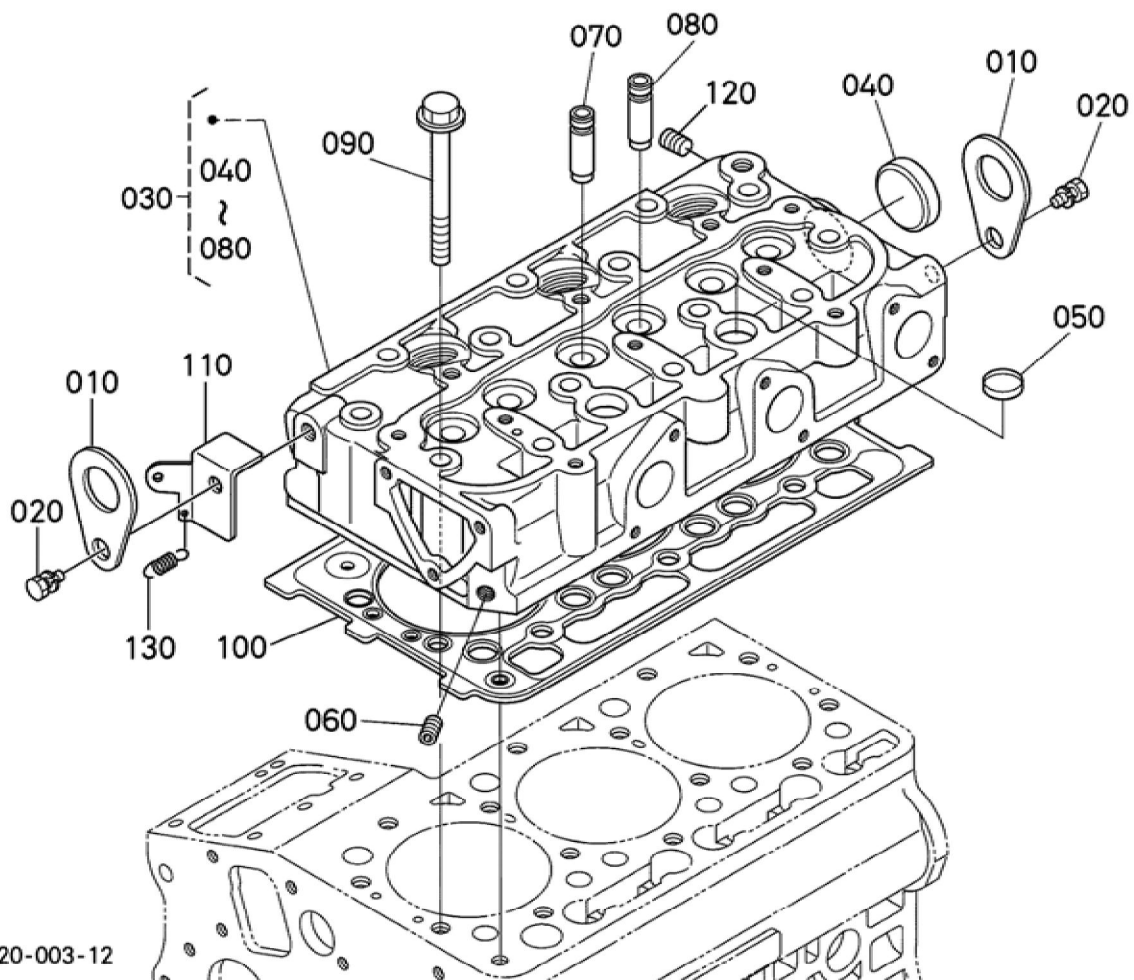


1G820-002-10

BKIDA0191 >> KX41-3S(V) >> MOTOR / ENGINE >> S00200 OELWANNE / OIL PAN

Update Date : 2020/03/13 Print Date : 2022/02/18

No.	Part Number	Part Name (POL)	Part Name (ENG)	QTY	IC	Serial No./PIN	Kg	Remarks
010	1G962-01500	KOMP.OELW ANNE	COMP.OIL PAN	1			1.580	
020	01023-50614	BOLZEN	BOLT	22			0.005	
030	15707-33750	ENTLEERUN GSSTOPFEN	PLUG DRAIN	1			0.095	
040	15451-96670	DICHTUNG	GASKET	1			0.003	
050	16851-32110	OELFILTER	FILTER OIL	1			0.110	
060	04814-00160	O RING	O-RING	1			0.001	
070	01123-60814	BOLZEN	BOLT	1			0.010	
080	16829-36410	OELMESSST AB	GAUGE OIL	1			0.040	
090	17456-36420	FUEHRUNG, OELMESSST AB	GUIDE OIL GAUGE	1			0.030	

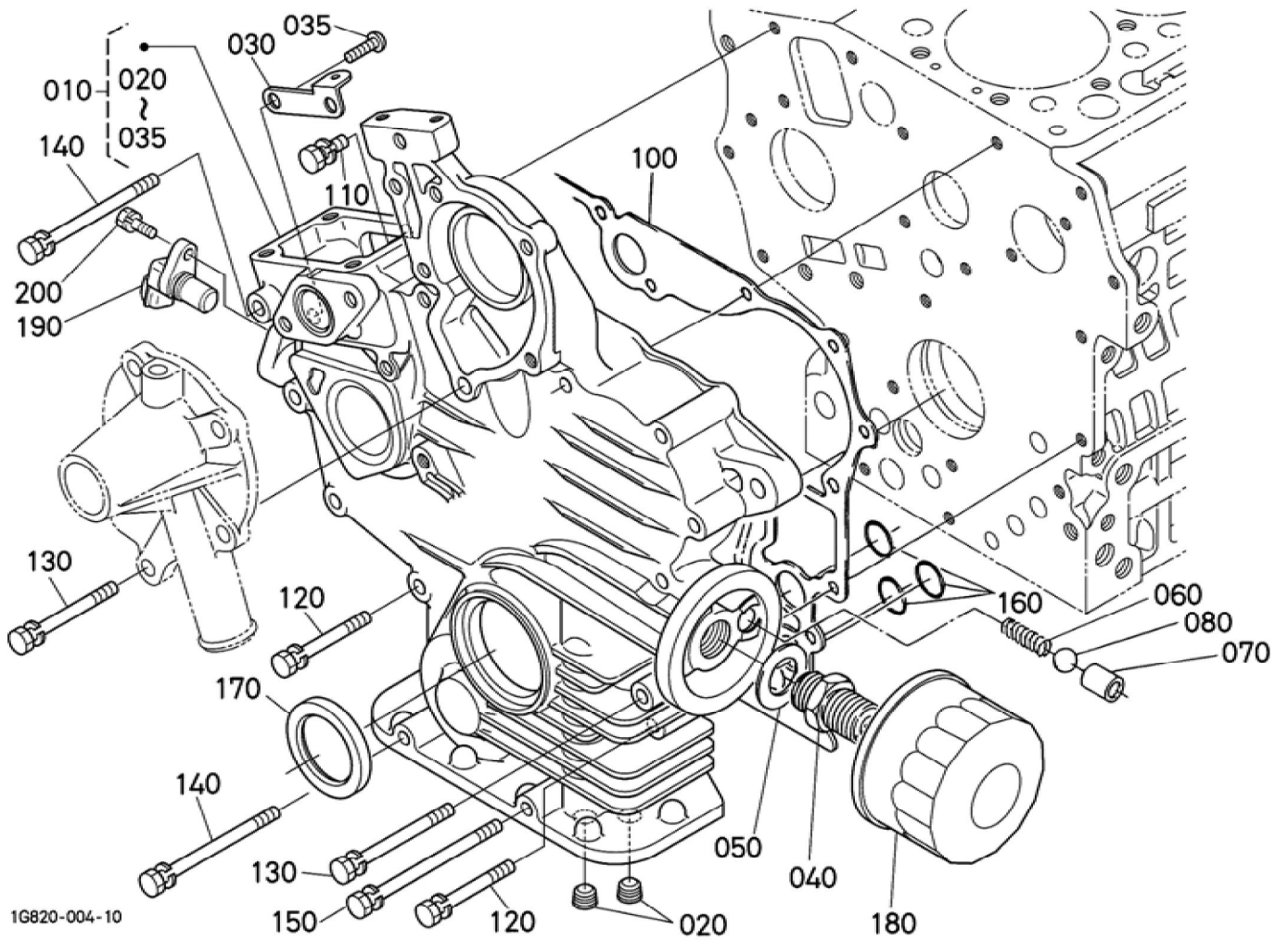


1G820-003-12

BKIDA0191 >> KX41-3S(V) >> MOTOR / ENGINE >> S00300 ZYLINDERKOPF / CYLINDER HEAD

Update Date : 2020/03/13 Print Date : 2022/02/18

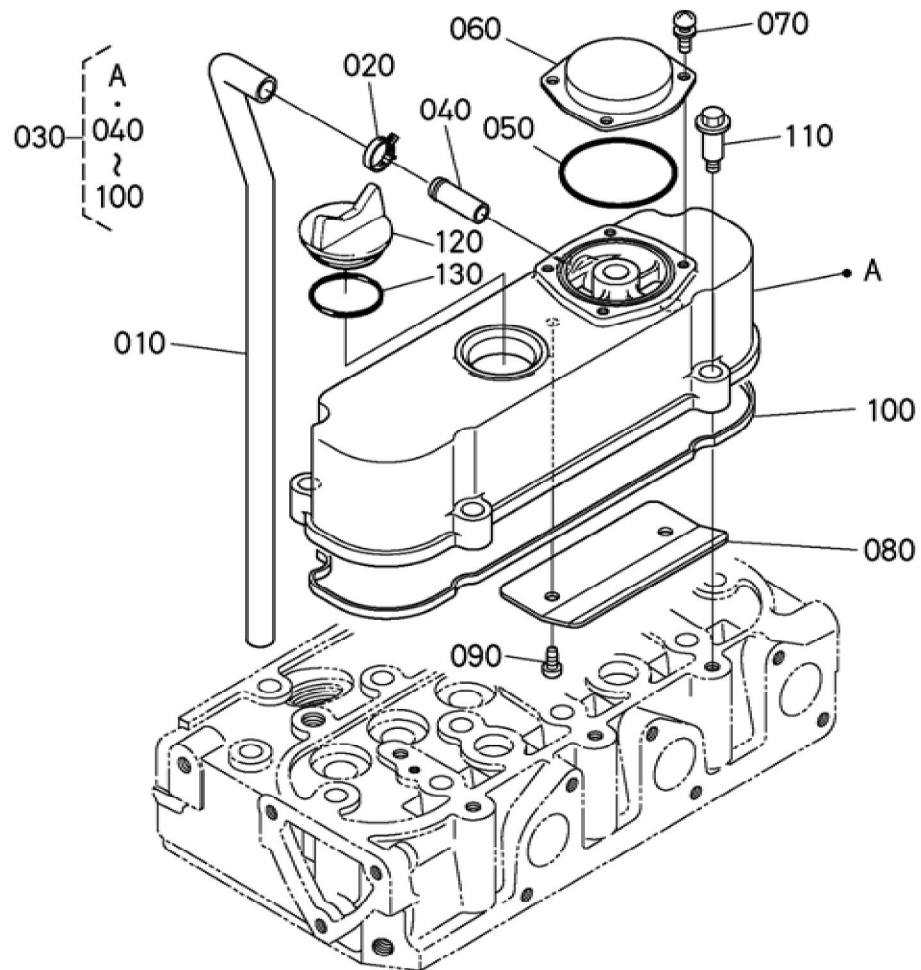
No.	Part Number	Part Name (POL)	Part Name (ENG)	QTY	IC	Serial No./PIN	Kg	Remarks
010	15221-01750	MOTORHAKE N	HOOK,ENGINE	2			0.040	
020	01123-60816	BOLZEN	BOLT	2			0.010	
030	1G962-03042	KOMP.ZYLIN DERKOPF	COMP.CYLIN DER HEAD	1			7.000	
030	H1G90-03040	KOMP.ZYLIN DERKOPF	COMP.CYLIN DER HEAD	1	>>		7.000	
040	15321-96260	KAPPE	CAP,SEALING	1			0.014	
050	15261-03370	STOEPSEL,A BDICHTUNG	CAP,SEALING	2			0.005	
060	15261-96010	STOPFEN	PLUG	1			0.002	
070	15841-13540	EINLASSVEN TILFUEHRUN G	GUIDE,VALVE (INLET)	3			0.014	
080	15841-13560	AUSLASSVEN TILFUEHRUN G	GUIDE (EXHAUST VALVE)	3			0.014	
090	14601-03450	ZYLINDERKO PFSCHRAUB E	BOLT,HEAD (CYLINDER)	14			0.035	
100	1G962-03310	ZYLINDERKO PFDICHTUNG	GASKET,CYLI NDER HEAD	1		<=5VZ999	0.060	
100	1G962-03312	ZYLINDERKO PFDICHTUNG	GASKET,CYLI NDER HEAD	1	NI	=>5W0001	0.060	
100	1G962-03313	ZYLINDERKO PFDICHTUNG	GASKET,CYLI NDER HEAD	1	>>	=>7Y0001	0.060	
110	16667-57692	STREBE	STAY	1			0.100	
120	15841-96020	STOPFEN	PLUG	1			0.020	
130	19837-57920	RUECKZUGF EDER	SPRING,RET URN	1			0.007	



BKIDA0191 >> KX41-3S(V) >> MOTOR / ENGINE >> S00400 GETRIEBEGEHAEUSE / GEAR CASE

Update Date : 2020/03/13 Print Date : 2022/02/18

No.	Part Number	Part Name (POL)	Part Name (ENG)	QTY	IC	Serial No./PIN	Kg	Remarks
010	1G820-04010	GETRIEBEGEHAEUSE KOMP.	COMP.CASE GEAR	1			0.000	
020	15521-96030	STOPFEN	PLUG	2			0.007	
030	1G820-56280	HALTER	STAY START SPRING	1			0.005	
035	16861-93310	SCHRAUBE	SCREW	2			0.001	
040	15241-32290	VERBINDUNG SSTUECK	JOINT PIPE	1			0.053	
050	15841-94010	SCHEIBE	WASHER PLAIN	1			0.003	
060	16851-36950	FEDER	SPRING	1			0.020	
070	15841-36930	SITZ,VENTIL	SEAT VALVE	1			0.003	
080	07715-03211	KUGEL	BALL	1			0.003	
100	1G460-04132	DICHTUNG	GASKET GEAR CASE	1			0.010	
110	01023-50618	BOLZEN	BOLT	1			0.006	
120	01023-60650	BOLZEN	BOLT	9			0.015	
130	15841-91010	BOLZEN	BOLT	2			0.014	
140	01023-50680	BOLZEN	BOLT	2			0.017	
150	01023-50690	BOLZEN	BOLT	1			0.019	
160	04814-06130	O RING	O-RING	3			0.001	
170	15877-04140	OELDICHTUNGSRING	SEAL OIL	1			0.011	
180	15853-32430	OELFILTERPATRONE	CARTRIDGE OIL FILTER	1			0.240	
190	T1060-32270	DREHZAHLSENSOR	SENSOR REVOLUTION	1			0.022	
200	01023-50616	BOLZEN	BOLT	1			0.006	



BKIDA0191 >> KX41-3S(V) >> MOTOR / ENGINE >> S00500 VENTILDECKEL / HEAD COVER

Update Date : 2020/03/13 Print Date : 2022/02/18

No.	Part Number	Part Name (POL)	Part Name (ENG)	QTY	IC	Serial No./PIN	Kg	Remarks
010	1G460-05510	ENTLUEFTUNG GSROHR	TUBE BREATHER	1			0.040	
020	09318-88125	SCHLAUCHS CHELLE	CLAMP HOSE	1			0.001	
030	1G962-14500	VENTILDECK EL KOMP.	ASSY COVER CYL.HEAD	1		<=5VZ999	0.650	
030	1G962-14503	VENTILDECK EL KOMP.	ASSY COVER CYL.HEAD	1	>>	=>5W0001	0.650	
040	16241-73370	ROHR	PIPE WATER RETURN	1			0.007	
050	1A021-05430	O RING	O-RING	1			0.001	
060	1A021-05120	ENTLUEFTER DECKEL	COVER BREATHER	1		<=5FZ999	0.039	
060	1G742-05120	ENTLUEFTER DECKEL	COVER BREATHER	1	>>	=>5G0001	0.035	
070	03024-50510	SCHRAUBE	SCREW WITH WASHER	4			0.002	
080	1G460-05370	OELSCHILD, ENTLUEFTER	SHIELD BREATHER	1			0.020	
090	16861-93310	SCHRAUBE	SCREW	2			0.001	
100	1G962-14520	VENTILDECK ELDICHTUNG	GASKET HEAD COVER	1		<=5VZ999	0.007	
100	1G962-14522	VENTILDECK ELDICHTUNG	GASKET HEAD COVER	1	>>	=>5W0001	0.007	
110	1G911-91022	BOLZEN	BOLT	6			0.015	
120	E9151-33140	OELEINFUEL LSTOPFEN	PLUG OIL FILTER	1			0.017	
130	04814-50300	O RING	O-RING	1			0.001	



Download the full PDF manual instantly.

Our customer service e-mail:

aservicemanualpdf@yahoo.com