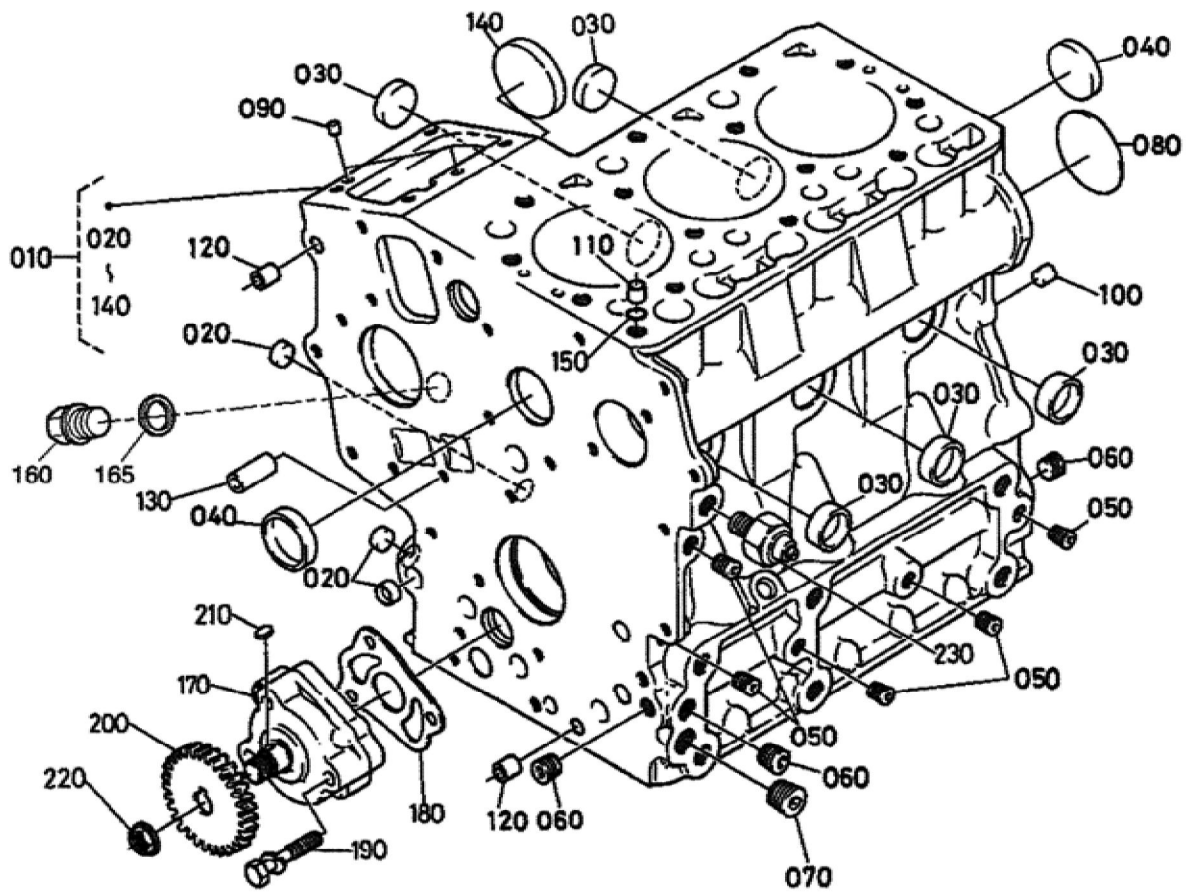
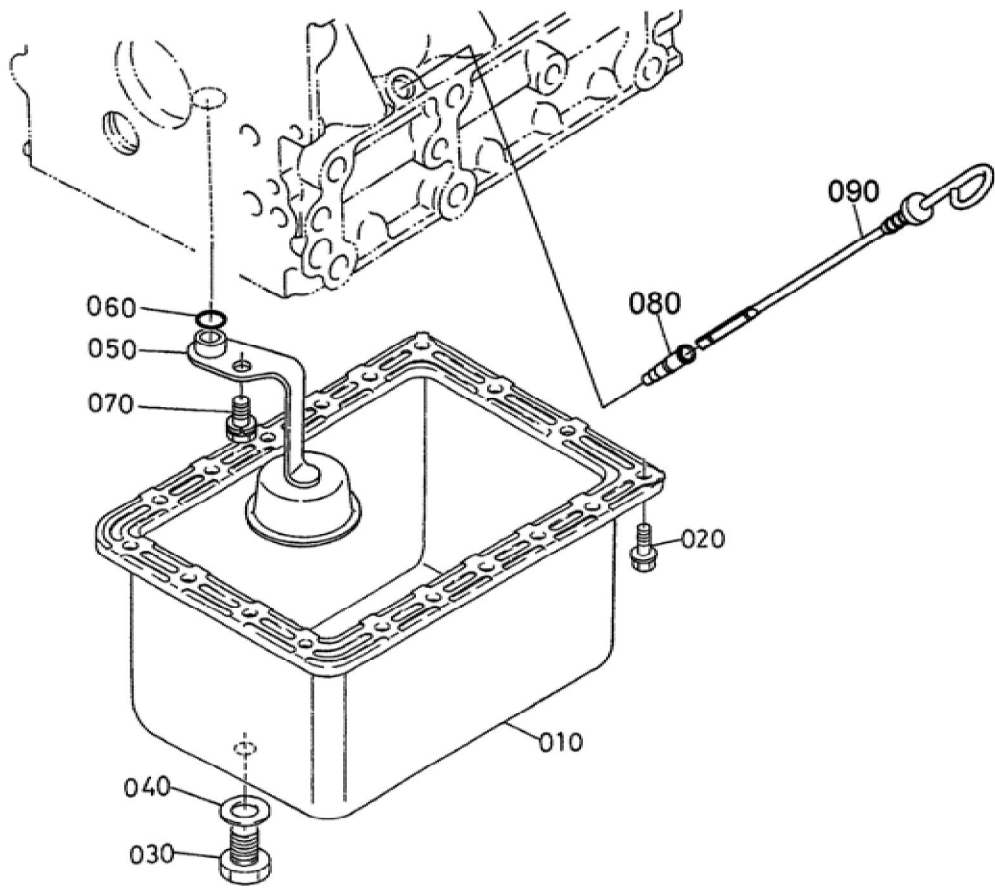


Update Date : 2018/10/26 Print Date : 2022/02/17



Update Date : 2018/10/26 Print Date : 2022/02/17

No.	Part Number	Part Name (POL)	Part Name (ENG)	QTY	IC	Serial No./PIN	Kg	Remarks
010	16809-01010	KOMP.KURBELGEHAEUSE	COMP.CRANKCASE	1			14.000	
020	16851-96260	KAPPE	CAP SEALING	3			0.005	
030	16851-96270	KAPPE	CAP SEALING	5			0.005	
040	15451-96270	KAPPE	CAP SEALING	2			0.010	
050	15261-96010	STOPFEN	PLUG	5			0.002	
060	15521-96020	STOPFEN	PLUG	3			0.003	
070	15521-96030	STOPFEN	PLUG	1			0.007	
080	15261-96160	STOPFEN	PLUG EXPANSION	1			0.020	
090	05012-00508	ZYLINDERSTIFT	PIN STRAIGHT	2			0.001	
100	05012-00814	ZYLINDERSTIFT	PIN STRAIGHT	2			0.006	
110	15221-33650	ROHRSTIFT	PIN PIPE	1			0.004	
120	15231-33960	ROHRSTIFT	PIN PIPE	2			0.001	
130	17331-59190	ROHRSTIFT	PIN PIPE	2			0.002	
140	16851-16212	DECKEL	COVER FUEL CAMSHAFT	1			0.030	
150	15221-33700	O RING	O-RING	1			0.001	
160	06311-55020	STOPFEN	PLUG	1			0.031	
165	04714-00200	DICHTUNGSPLATTE	GASKET	1			0.002	
170	16851-35010	GRP.OELPUMPE	ASSY PUMP OIL	1			0.240	
180	16851-35152	DICHTUNG.OELPUMPE	GASKET OIL PUMP NA	1			0.001	
190	15841-91050	BOLZEN	BOLT	3			0.010	
200	15841-35660	ZAHNRAD	GEAR OIL PUMP DRIVE	1			0.113	
210	05712-00408	KEIL	KEY FEATHER	1			0.001	
220	02783-50100	MUTTER	NUT FLANGE	1			0.010	
230	15531-39010	OELDRUCKSCHALTER	SWITCH OIL	1			0.032	

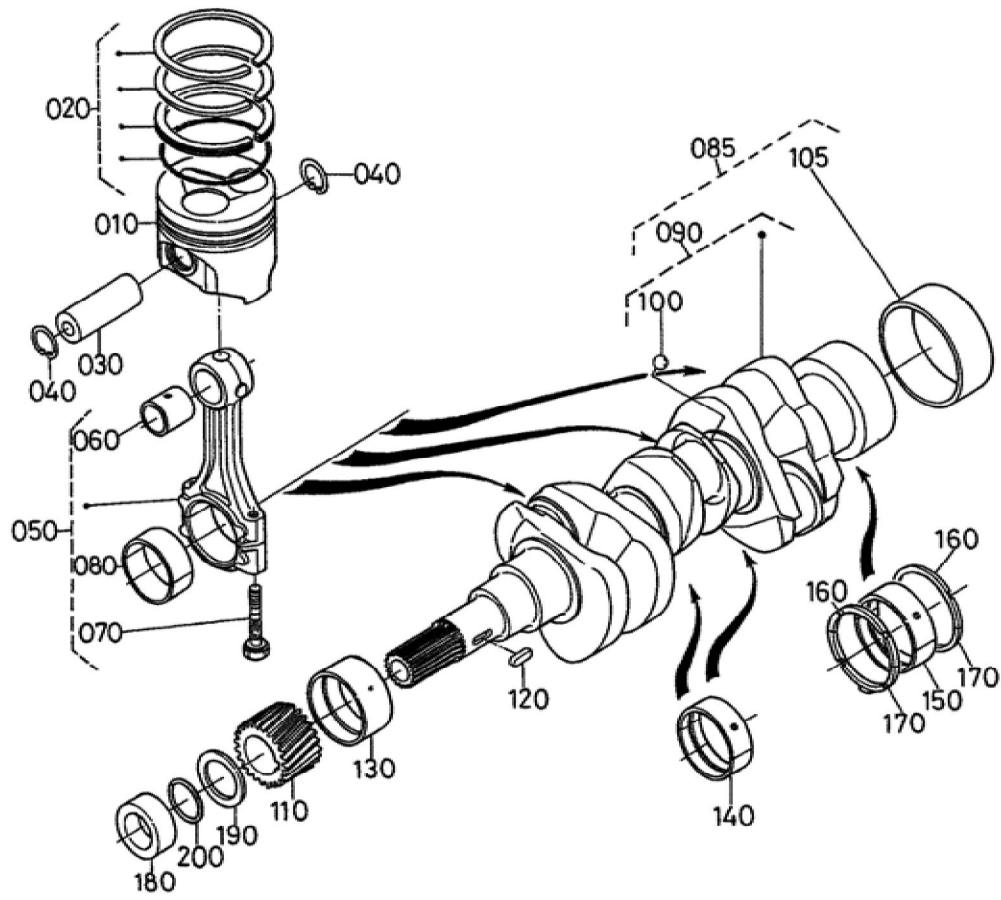


BKIDK0457 >> KX41-2ALPHA [S/N;>=70001] >> MOTOR / BASIC ENGINE >> S00200 OELWANNE / OIL PAN

Update Date : 2018/10/26 Print Date : 2022/02/17

No.	Part Number	Part Name (POL)	Part Name (ENG)	QTY	IC	Serial No./PIN	Kg	Remarks
010	16863-01503	GRP. OELWANNE	COMP. OIL PAN	1			0.000	
020	01023-50612	BOLZEN	BOLT	18			0.005	
030	15707-33754	STOPFEN	PLUG DRAIN	1			0.000	
040	15451-96670	DICHTUNG	GASKET	1			0.003	
050	19025-32112	OELFILTER	FILTER OIL	1			0.150	
060	04814-00160	O RING	O-RING	1			0.001	
070	01123-60814	BOLZEN	BOLT	1			0.010	
080	17456-36420	FUEHRUNG, OELMESSST AB	GUIDE OIL GAUGE	1			0.030	
090	1E051-36412	OELMESSST AB	GAUGE OIL	1			0.048	

Update Date : 2018/10/26 Print Date : 2022/02/17



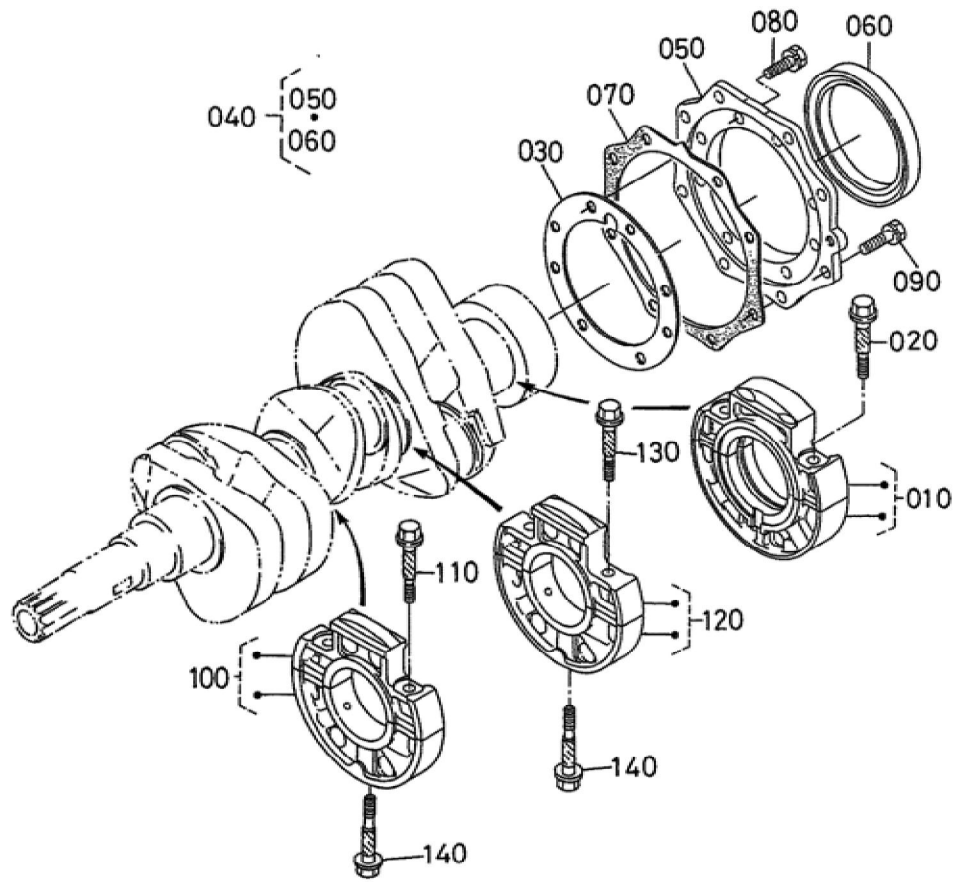
Update Date : 2018/10/26 Print Date : 2022/02/17

No.	Part Number	Part Name (POL)	Part Name (ENG)	QTY	IC	Serial No./PIN	Kg	Remarks
010	1E051-21110	KOLBEN	PISTON	3			0.224	STD
010	1E051-21900	KOLBEN	PISTON	3			0.225	+0.25mm
020	16853-21050	GRP.KOLBEN RING	ASSY PISTON RING	3			0.040	STD
020	16853-21090	GRP.KOLBEN RING	ASSY PISTON RING	3			0.040	+0.25mm
030	16871-21310	KOLBENBOLZEN	PIN PISTON	3			0.080	
040	15261-21330	SEEGERING	CIR CLIP PISTON PIN	6			0.001	
050	16851-22010	PLEUELSTANGE KOMP.	ASSY ROD CONNECTING	3			0.330	
060	16851-21980	BUCHSE,KOLBENSTIFT	BUSH PISTON PIN	3			0.010	
070	16851-22140	BOLZEN	BOLT CONNECTING ROD	6			0.012	
080	16851-22320	LAGERSCHALE	METAL CRANKPIN M	3			0.040	STD SET
080	15861-22970	LAGERSCHALE	METAL CRANKPIN	3			0.030	-0.2mm SET
080	15861-22980	LAGERSCHALE	METAL CRANKPIN	3			0.030	-0.4mm SET
085	1E051-23030	BAUGRP.KURBELWELLE	ASSY CRANKSHAFT	1			6.300	
090	16805-23010	KOMP.KURBELWELLE	COMP.CRANKSHAFT	1			6.340	
100	07715-03207	KUGEL	BALL	3			0.001	
105	19215-23280	MUFFE	SLEEVE CRANKSHAFT	1			0.050	
110	15841-24110	ZAHNRAD	GEAR CRANK	1			0.140	
120	05712-00515	KEIL	KEY FEATHER	1			0.003	
130	15861-23470	LAGERSCHALE	METAL CRANKSHAFT	1			0.030	STD
130	15861-23910	LAGERSCHALE	METAL CRANKSHAFT	1			0.040	-0.2mm
130	15861-23920	LAGERSCHALE	METAL CRANKSHAFT	1			0.040	-0.4mm

Update Date : 2018/10/26 Print Date : 2022/02/17

No.	Part Number	Part Name (POL)	Part Name (ENG)	QTY	IC	Serial No./PIN	Kg	Remarks
140	16861-23490	LAGERSCHALE	METAL CRANKSHAFT M	2			0.020	STD SET
140	15861-23860	LAGERSCHALE	METAL CRANKSHAFT	2			0.030	-0.2mm SET
140	15861-23870	LAGERSCHALE	METAL CRANKSHAFT	2			0.030	-0.4mm SET
150	16861-23480	LAGERSCHALE	METAL CRANKSHAFT	1			0.030	STD SET
150	15694-23930	LAGERSCHALE	METAL CRANKSHAFT	1			0.040	-0.2mm SET
150	15694-23940	LAGERSCHALE	METAL CRANKSHAFT	1			0.046	-0.4mm SET
160	15261-23530	LAGERSCHALE	METAL SIDE	2			0.006	STD
160	15261-23950	LAGERSCHALE	METAL SIDE	2			0.006	+0.2mm
160	15261-23960	LAGERSCHALE	METAL SIDE	2			0.007	+0.4mm
170	15261-23540	LAGERSCHALE	METAL SIDE	2			0.007	STD
170	15261-23970	LAGERSCHALE	METAL SIDE	2			0.006	+0.2mm
170	15261-23980	LAGERSCHALE	METAL SIDE	2			0.007	+0.4mm
180	15841-23250	HALSRING	COLLAR CRANKSHAFT	1			0.050	
190	15881-23310	OELABSTREIFRING	SLINGER OIL	1			0.004	
200	04814-16220	O RING	O RING	1			0.001	

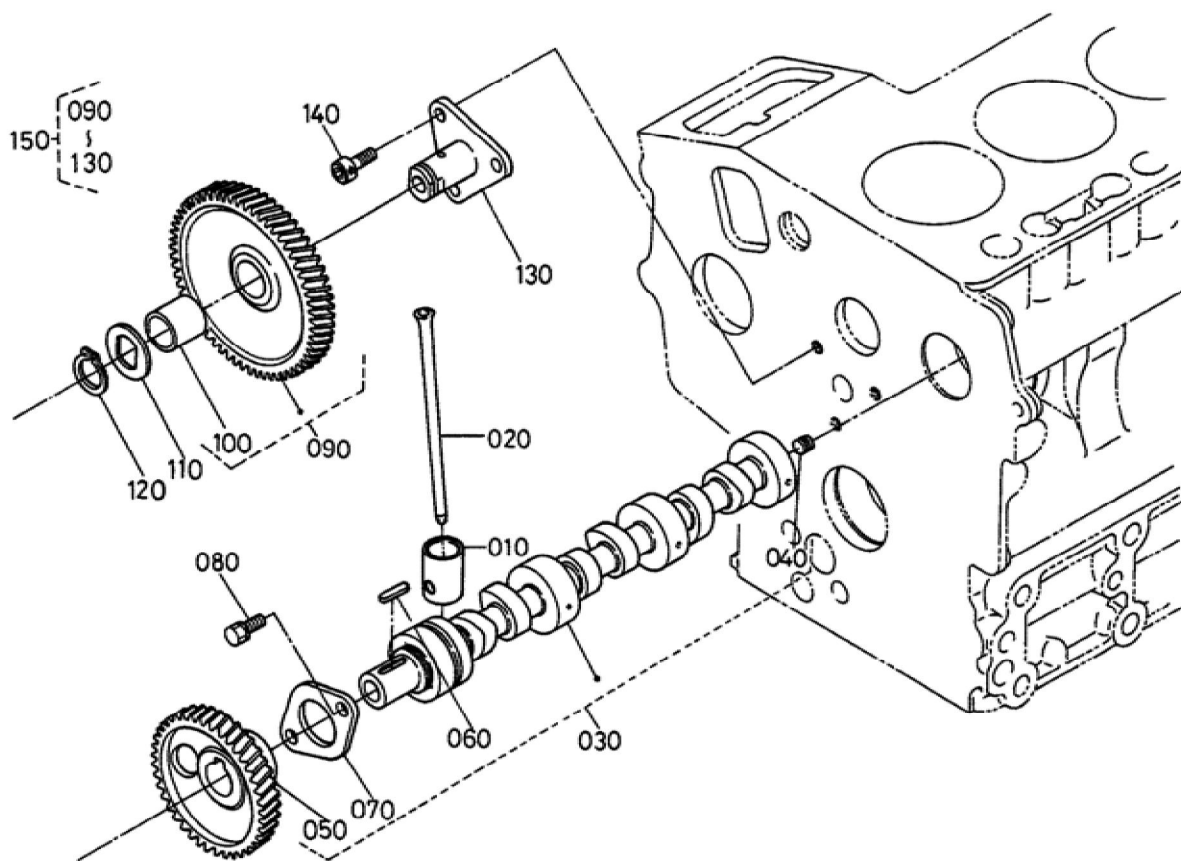
Update Date : 2018/10/26 Print Date : 2022/02/17



Update Date : 2018/10/26 Print Date : 2022/02/17

No.	Part Number	Part Name (POL)	Part Name (ENG)	QTY	IC	Serial No./PIN	Kg	Remarks
010	16851-04092	GRP.LAGERGEHAEUSE	ASSY CASE MAIN BRG.	1			0.710	
020	15841-04540	BOLZEN,LAGERKASTEN	BOLT BEARING CASE	2			0.012	
030	15852-04360	DICHTUNG,LAGER	GASKET BEARING CASE	1			0.005	
040	15841-04800	LAGERKASTENDECKEL	ASSY COVER BRG.CASE	1			0.177	
050	15841-04810	DECKEL,LAGERKASTEN	COVER BEARING CASE	1			0.160	
060	19215-99160	OELDICHTUNGSRING	SEAL OIL	1			0.025	
070	15841-04822	DICHTUNGSPLATTE	GASKET	1			0.004	
080	01023-50620	BOLZEN	BOLT	8			0.006	
090	01023-50622	BOLZEN	BOLT	8			0.005	
100	16851-04040	GRP.LAGERGEHAEUSE	ASSY CASE MAIN BRG.	1			0.580	
110	15841-04540	BOLZEN,LAGERKASTEN	BOLT BEARING CASE	2			0.012	
120	16861-04050	GRP.LAGERGEHAEUSE	ASSY CASE MAIN BRG.	1			0.580	
130	15841-04540	BOLZEN,LAGERKASTEN	BOLT BEARING CASE	2			0.012	
140	15841-04562	BOLZEN,LAGERKASTEN	BOLT BEARING CASE	2			0.020	

Update Date : 2018/10/26 Print Date : 2022/02/17





Download the full PDF manual instantly.

Our customer service e-mail:

aservicemanualpdf@yahoo.com