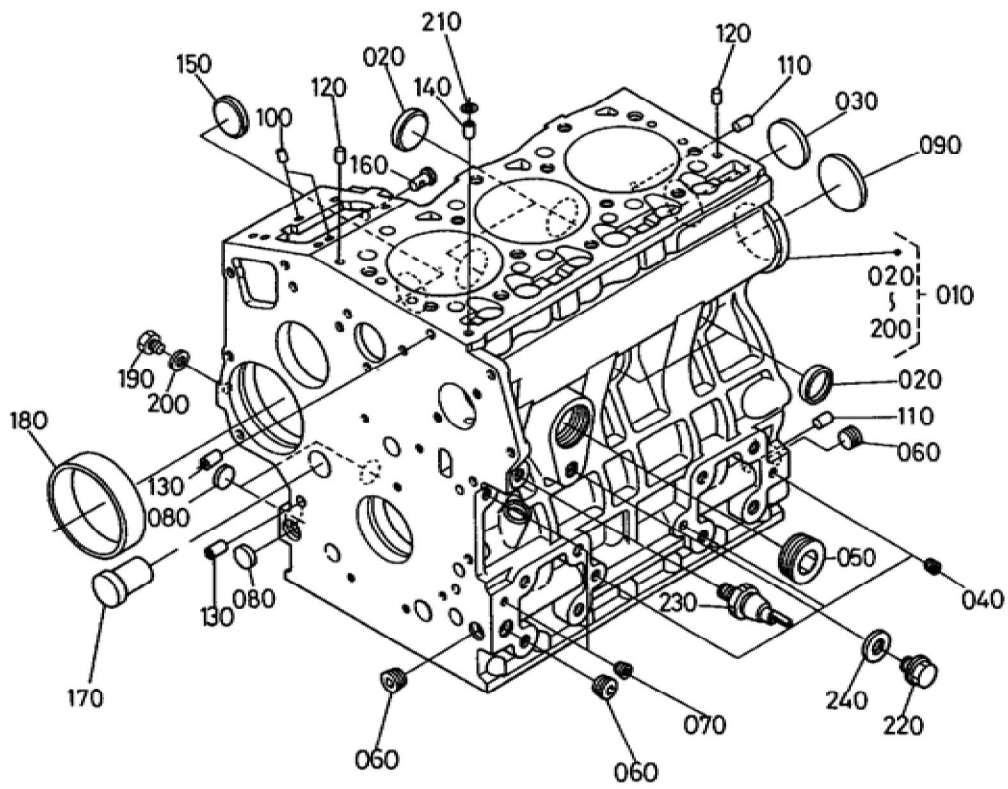


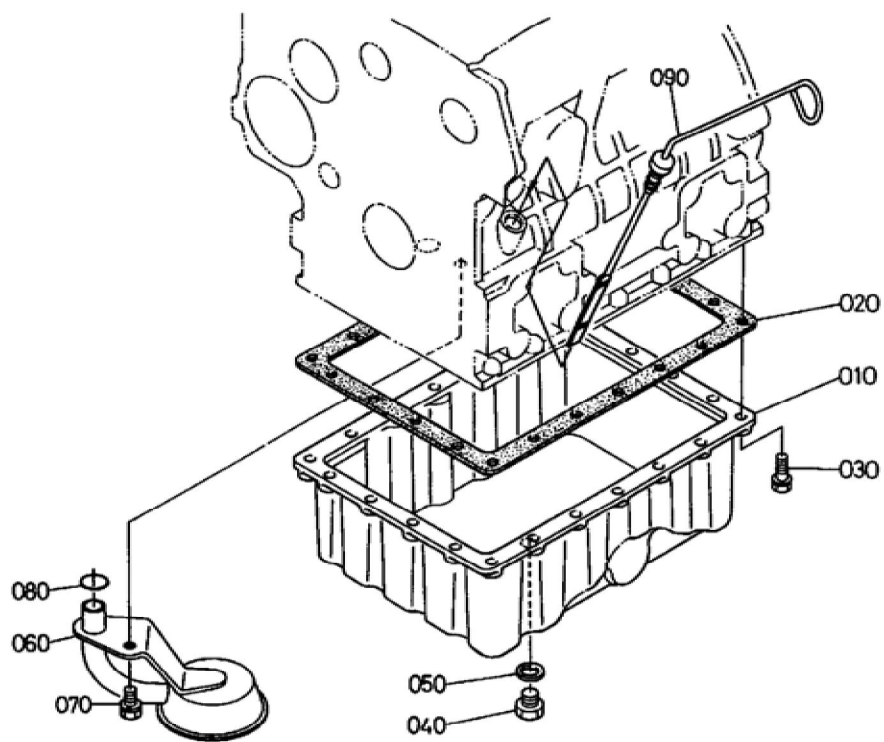
Update Date : 2015/12/18 Print Date : 2022/02/16



Update Date : 2015/12/18 Print Date : 2022/02/16

No.	Part Number	Part Name (POL)	Part Name (ENG)	QTY	IC	Serial No./PIN	Kg	Remarks
010	16613-01012	KOMP.KURBELGEHAEUSE	COMP. CRANKCASE	1			31.200	
020	15451-96270	KAPPE	CAP SEALING	4			0.010	
030	15221-03490	STOPFEN	CAP SEALING	1			0.020	
040	15261-96010	STOPFEN	PLUG	3			0.002	
050	16683-96020	STOPFEN	PLUG	1			0.088	
060	16241-96010	STOPFEN	PLUG	3			0.007	
070	15521-96020	STOPFEN	PLUG	2			0.003	
080	17391-96160	STOPFEN	PLUG EXPANSION	3			0.003	
090	16271-96160	STOPFEN	PLUG EXPANSION	1			0.025	
100	05012-00508	ZYLINDERSTIFT	PIN STRAIGHT	2			0.001	
110	05012-00814	ZYLINDERSTIFT	PIN STRAIGHT	2			0.006	
120	05012-00610	ZYLINDERSTIFT	PIN STRAIGHT	2			0.003	
130	15231-33960	ROHRSTIFT	PIN PIPE	2			0.001	
140	16241-33650	ROHRSTIFT	PIN PIPE	1			0.002	
150	16241-96262	STOPFEN	PLUG	1			0.007	
160	16261-56280	STARTFEDERSTIFT	PIN START SPRING	1			0.004	
170	16282-96010	STOPFEN	PLUG	1			0.090	
180	16271-55350	BUCHSE	BUSH GOVERNOR GEAR	1			0.060	
190	15221-33610	STOPFEN	PLUG	1			0.009	
200	15021-33660	DICHTUNGSPLATTE	GASKET	1			0.001	
210	15221-33700	O RING	O-RING	1			0.001	
220	06311-55020	STOPFEN	PLUG	1			0.031	
230	15531-39010	OELDRUCKSCHALTER	SWITCH OIL	1			0.032	
240	04714-00200	DICHTUNGSPLATTE	GASKET	1			0.001	

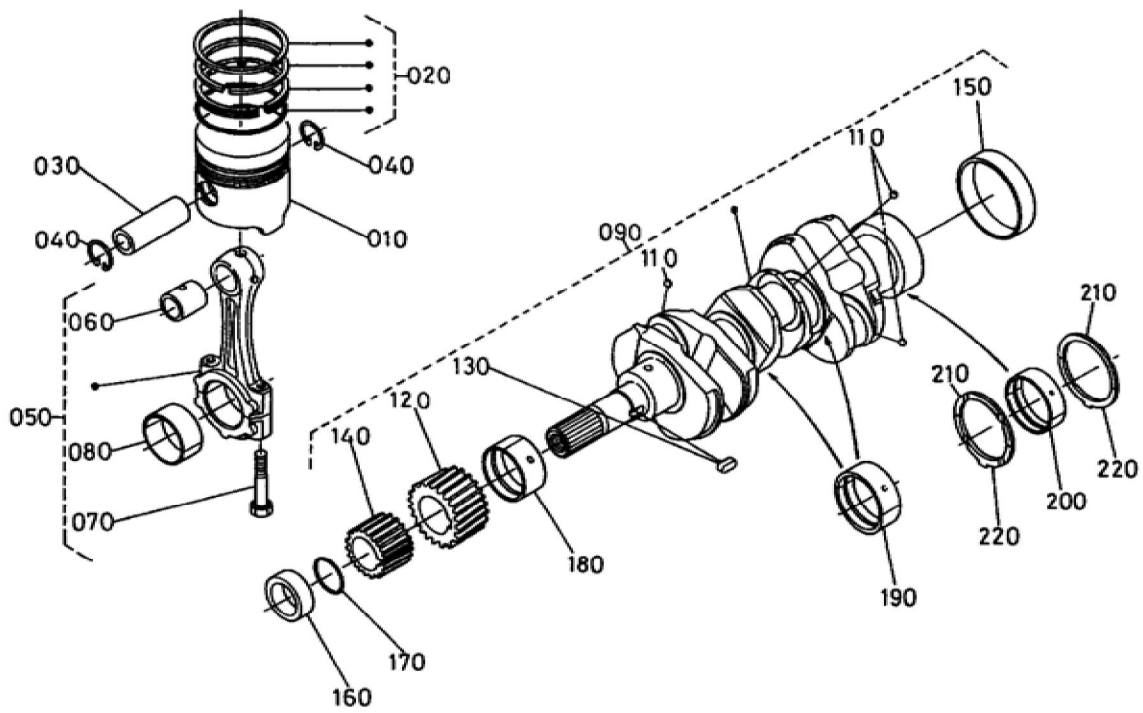
Update Date : 2015/12/18 Print Date : 2022/02/16



Update Date : 2015/12/18 Print Date : 2022/02/16

No.	Part Number	Part Name (POL)	Part Name (ENG)	QTY	IC	Serial No./PIN	Kg	Remarks
010	16215-01610	OELWANNE	OIL PAN	1			4.100	
020	16261-01630	DICHTUNG	GASKET OIL PAN	1			0.001	
030	01023-50618	BOLZEN	BOLT	22			0.006	
040	15221-33750	STOPFEN	PLUG	1			0.032	
050	15109-33660	DICHTUNGSP LATTE	GASKET	1			0.001	
060	16261-32113	OELFILTER	FILTER OIL	1			0.210	
070	01123-50816	SCHRAUBE	BOLT	1			0.011	
080	04814-00160	O RING	O-RING	1			0.001	
090	16215-36412	OELMESSST AB	GAUGE OIL	1			0.042	

Update Date : 2015/12/18 Print Date : 2022/02/16



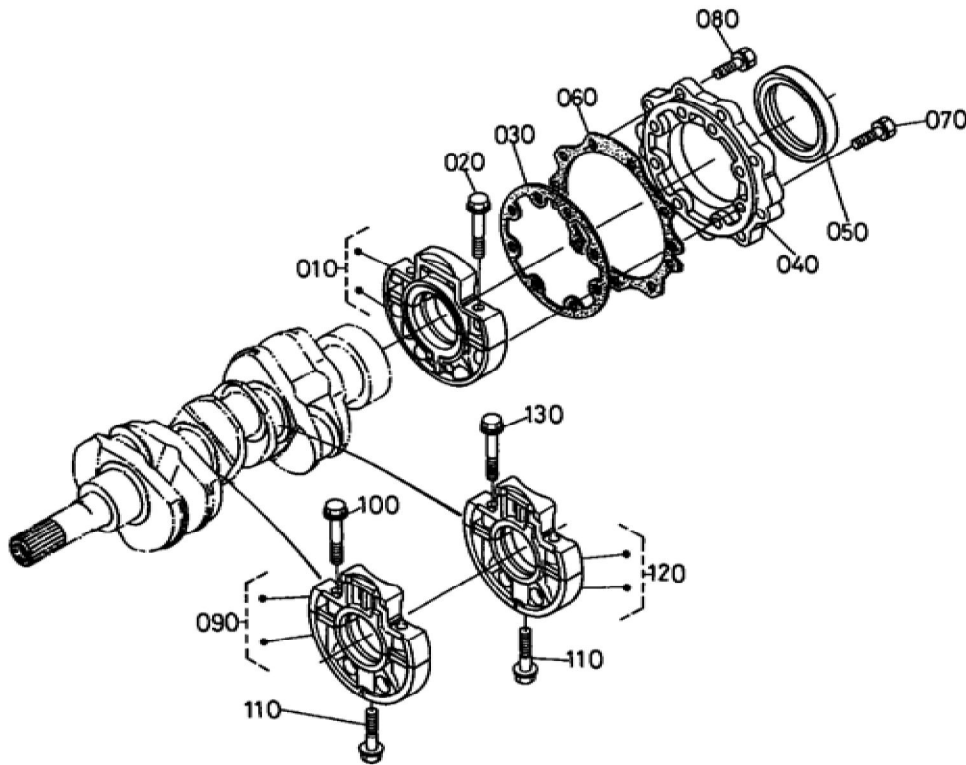
Update Date : 2015/12/18 Print Date : 2022/02/16

No.	Part Number	Part Name (POL)	Part Name (ENG)	QTY	IC	Serial No./PIN	Kg	Remarks
010	H1600-21100	PISTON,KIT	PISTON,KIT	3			0.400	STD
010	H1600-21900	PISTON,KIT (05)	PISTON,KIT (05)	3			0.415	+0.5 MM
020	16261-21050	GRP.KOLBEN RING	ASSY PISTON RING	3			0.042	STD
020	16261-21090	GRP.KOLBEN RING	ASSY PISTON RING	3			0.050	+0.5 MM
030	16241-21310	KOLBENBOLZEN	PIN PISTON	3			0.135	
040	16241-21330	SEEGERING	CIR CLIP PISTON PIN	6			0.002	
050	16241-22012	PLEUELSTANGE KOMP.	ASSY CONNECTING ROD	3			0.545	
060	16241-21980	BUCHSE,KOLBENSTIFT	BUSH PISTON PIN	3			0.003	
070	16241-22140	BOLZEN	BOLT CONNECTING ROD	6			0.024	
080	16241-22310	LAGERSCHAULE	METAL CRANKPIN	3			0.038	STD SET
080	16241-22970	LAGERSCHAULE	METAL CRANKPIN	3			0.080	-0.2 MM SET
080	16241-22980	LAGERSCHAULE	METAL CRANKPIN	3			0.100	-0.4 MM SET
090	16265-23013	KOMP.KURBELWELLE	COMP. CRANKSHAFT	1			8.200	
110	07715-00401	KUGEL	BALL	3			0.001	
120	16241-24110	ZAHNRAD	GEAR CRANK	1			0.150	
130	16271-95230	KEIL	KEY	1			0.005	
140	16241-35630	ZAHNRAD	GEAR OIL PUMP DRIVE	1			0.102	
150	16241-23280	MUFFE	SLEEVE CRANKSHAFT	1			0.060	
160	16241-23250	HALSRING	COLLAR CRANKSHAFT	1			0.050	
170	15667-96750	O RING	O-RING	1			0.020	
180	16241-23470	LAGERSCHAULE	METAL CRANKSHAFT	1			0.060	STD

Update Date : 2015/12/18 Print Date : 2022/02/16

No.	Part Number	Part Name (POL)	Part Name (ENG)	QTY	IC	Serial No./PIN	Kg	Remarks
180	16241-23910	LAGERSCHALE	METAL CRANKSHAFT	1			0.030	-0.2 MM
180	16241-23920	LAGERSCHALE	METAL CRANKSHAFT	1			0.068	-0.4 MM
190	16241-23480	LAGERSCHALE	METAL CRANKSHAFT	2			0.050	STD SET
190	16241-23930	LAGERSCHALE	METAL CRANKSHAFT	2			0.100	0.2 MM SET
190	16241-23940	LAGERSCHALE	METAL CRANKSHAFT	2			0.050	-0.4 MM SET
200	16241-23490	LAGERSCHALE	METAL CRANKSHAFT	1			0.000	STD SET
200	16241-23860	LAGERSCHALE	METAL CRANKSHAFT	1			0.100	-0.2 MM SET
200	16241-23870	LAGERSCHALE	METAL CRANKSHAFT	1			0.068	-0.4 MM SET
210	15521-23530	LAGERSCHALE	METAL SIDE	2			0.010	STD
210	15521-23950	LAGERSCHALE	METAL SIDE	2			0.010	+0.2 MM
210	15521-23960	LAGERSCHALE	METAL SIDE	2			0.010	+0.4 MM
220	19202-23540	LAGERSCHALE	METAL SIDE	2			0.010	STD
220	19202-23970	LAGERSCHALE	METAL SIDE	2			0.010	+0.2 MM
220	19202-23980	LAGERSCHALE	METAL SIDE	2			0.010	+0.4 MM

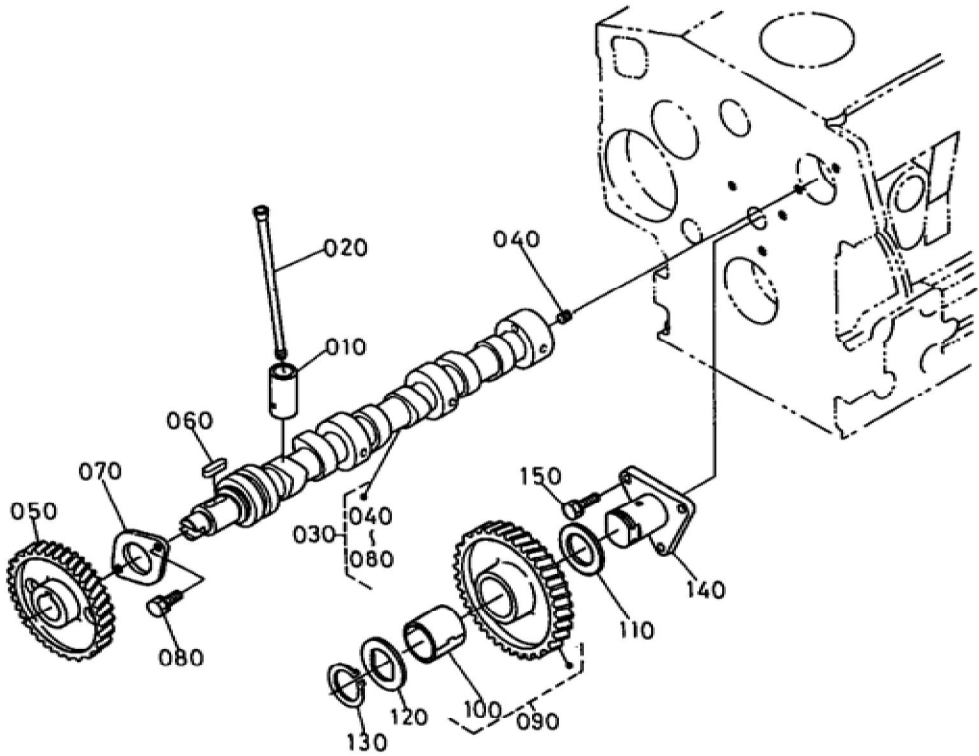
Update Date : 2015/12/18 Print Date : 2022/02/16



Update Date : 2015/12/18 Print Date : 2022/02/16

No.	Part Number	Part Name (POL)	Part Name (ENG)	QTY	IC	Serial No./PIN	Kg	Remarks
010	16241-04092	GRP.LAGERG EHAEUSE	ASSY CASE MAIN BRG.	1			1.130	
020	16241-04540	BOLZEN,LAG ERKASTEN	BOLT BEARING CASE	2			0.020	
030	16264-04360	DICHTUNG	GASKET BRG.CASE	1			0.002	
040	16241-04813	DECKEL,LAG ERKASTEN	COVER BEARING CASE	1			0.220	
050	16241-04460	OELDICHTUN GSRING	SEAL OIL	1			0.020	
060	16264-04820	DICHTUNGSP LATTE	GASKET	1			0.008	
070	01023-50625	BOLZEN	BOLT	8			0.007	
080	01023-50620	BOLZEN	BOLT	9			0.006	
090	16261-04040	GRP.LAGERG EHAEUSE	ASSY CASE MAIN BRG.	1			0.900	
100	16241-04540	BOLZEN,LAG ERKASTEN	BOLT BEARING CASE	2			0.020	
110	16241-04560	BOLZEN,LAG ERKASTEN	BOLT BEARING CASE	2			0.030	
120	16261-04050	GRP.LAGERG EHAEUSE	ASSY CASE MAIN BRG.	1			1.110	
130	16241-04540	BOLZEN,LAG ERKASTEN	BOLT BEARING CASE	2			0.020	

Update Date : 2015/12/18 Print Date : 2022/02/16





Download the full PDF manual instantly.

Our customer service e-mail:

aservicemanualpdf@yahoo.com