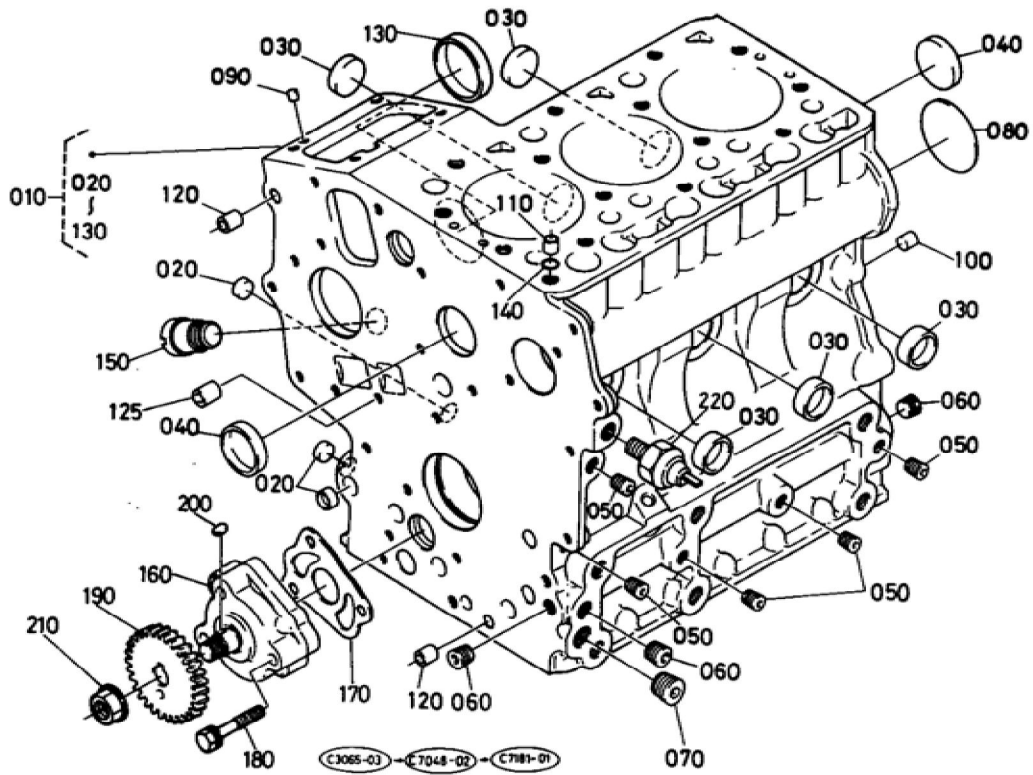


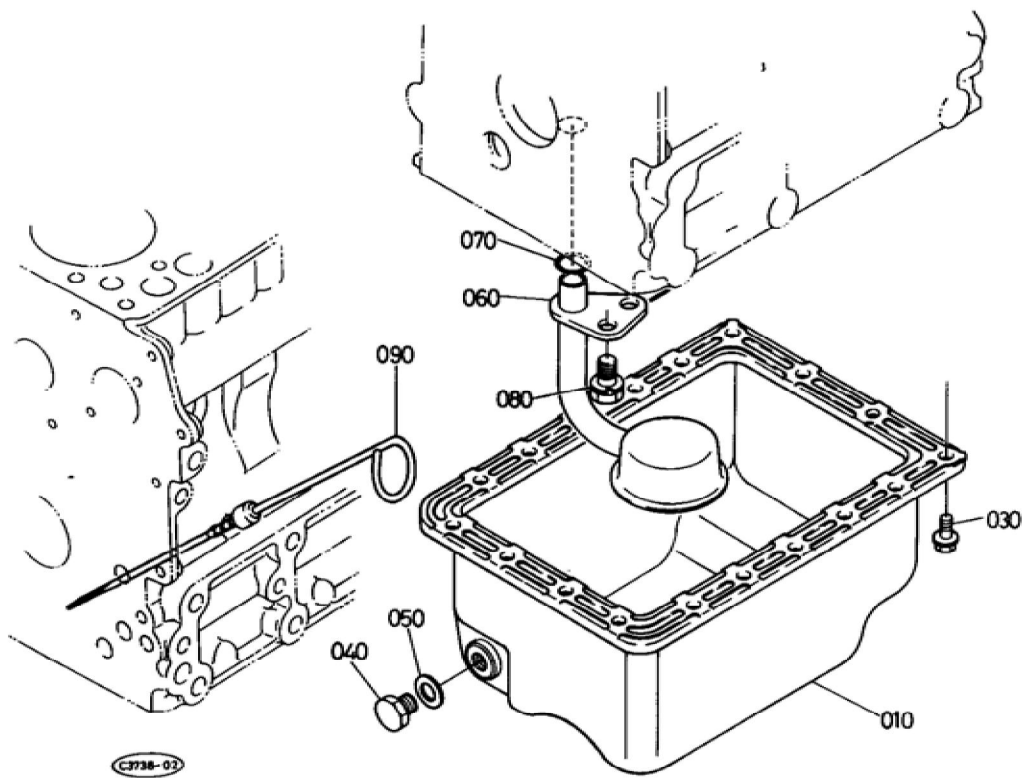
Update Date : 2020/04/27 Print Date : 2022/02/16



BKIDA0080 >> KX36(H) >> MOTOR / BASIC ENGINE >> S00100 KURBELWELLENGEHAEUSE / CRANKCASE

Update Date : 2020/04/27 Print Date : 2022/02/16

No.	Part Number	Part Name (POL)	Part Name (ENG)	QTY	IC	Serial No./PIN	Kg	Remarks
010	16867-01010	KOMP.KURBELGEHAEUSE	COMP.CRANKCASE	1			23.100	
020	16851-96260	KAPPE	CAP SEALING	3			0.005	
030	16851-96270	KAPPE	CAP SEALING	5			0.005	
040	15451-96270	KAPPE	CAP SEALING	2			0.010	
050	15261-96010	STOPFEN	PLUG	5			0.002	
060	15521-96020	STOPFEN	PLUG	3			0.003	
070	15521-96030	STOPFEN	PLUG	1			0.007	
080	15261-96160	STOPFEN	PLUG	1			0.020	
090	05012-00508	ZYLINDERSTIFT	PIN STRAIGHT	2			0.001	
100	05012-00814	ZYLINDERSTIFT	PIN STRAIGHT	2			0.006	
110	15221-33650	ROHRSTIFT	PIN PIPE	1			0.004	
120	15231-33960	ROHRSTIFT	PIN PIPE	2			0.001	
125	17331-59190	ROHRSTIFT	PIN PIPE	2			0.002	
130	16851-16210	DECKEL	COVER FUEL CAMSHAFT	1		15685	0.000	
130	16851-16212	DECKEL	COVER FUEL CAMSHAFT	1	>>	15686	0.030	
140	15221-33700	O RING	O RING	1			0.001	
150	15321-73340	WASSERROHR	PIPE WATER RETURN	1			0.016	
160	16851-35010	GRP.OELPUMPE	ASSY PUMP OIL	1			0.240	
170	16851-35150	DICHTUNG,OELPUMPE	GASKET OIL PUMP	1		534271	0.000	
170	16851-35152	DICHTUNG,OELPUMPE	GASKET OIL PUMP	1	=	534272	0.001	
180	15841-91050	BOLZEN	BOLT	3			0.010	
190	15841-35660	ZAHNRAD	GEAR OIL PUMP DRIVE	1			0.113	
200	05712-00408	KEIL	KEY FEATHER	1			0.001	
210	02783-50100	MUTTER	NUT FLANGE	1			0.010	
220	15531-39010	OELDRUCKSCHALTER	SWITCH OIL	1			0.032	

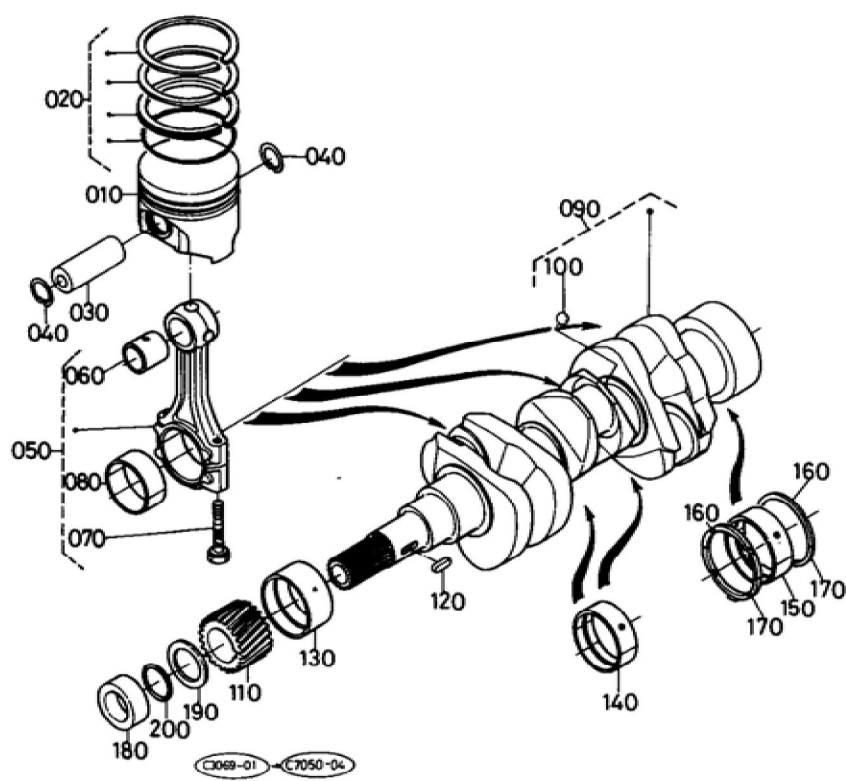


BKIDA0080 >> KX36(H) >> MOTOR / BASIC ENGINE >> S00200 OELWANNE / OIL PAN

Update Date : 2020/04/27 Print Date : 2022/02/16

No.	Part Number	Part Name (POL)	Part Name (ENG)	QTY	IC	Serial No./PIN	Kg	Remarks
010	16867-01500	OELWANNE,K OMP.	COMP.OIL PAN	1			1.100	
030	01754-50610	SCHRAUBE	BOLT FLANGE	18		276901	0.006	
030	01123-50612	BOLZEN	BOLT	18	>>	276902	0.000	
040	15221-33750	STOPFEN	PLUG	1			0.032	
050	15109-33660	DICHTUNGSP LATTE	GASKET	1			0.001	
060	16851-32110	OELFILTER	FILTER OIL	1			0.110	
070	04814-00160	O RING	O RING	1			0.001	
080	01123-50814	BOLZEN	BOLT	1			0.010	
090	16867-36410	OELMESSST AB	GAUGE OIL	1		351089	0.000	
090	16867-36412	OELMESSST AB	GAUGE OIL	1	>>	351090	0.023	

Update Date : 2020/04/27 Print Date : 2022/02/16





Download the full PDF manual instantly.

Our customer service e-mail:

aservicemanualpdf@yahoo.com