

## BKIDK0536 &gt;&gt; KX251 &gt;&gt; MOTOR / ENGINE &gt;&gt; 000100 KURBELGEHAEUSE / CRANK CASE

Update Date : 2017/05/12 Print Date : 2022/02/15

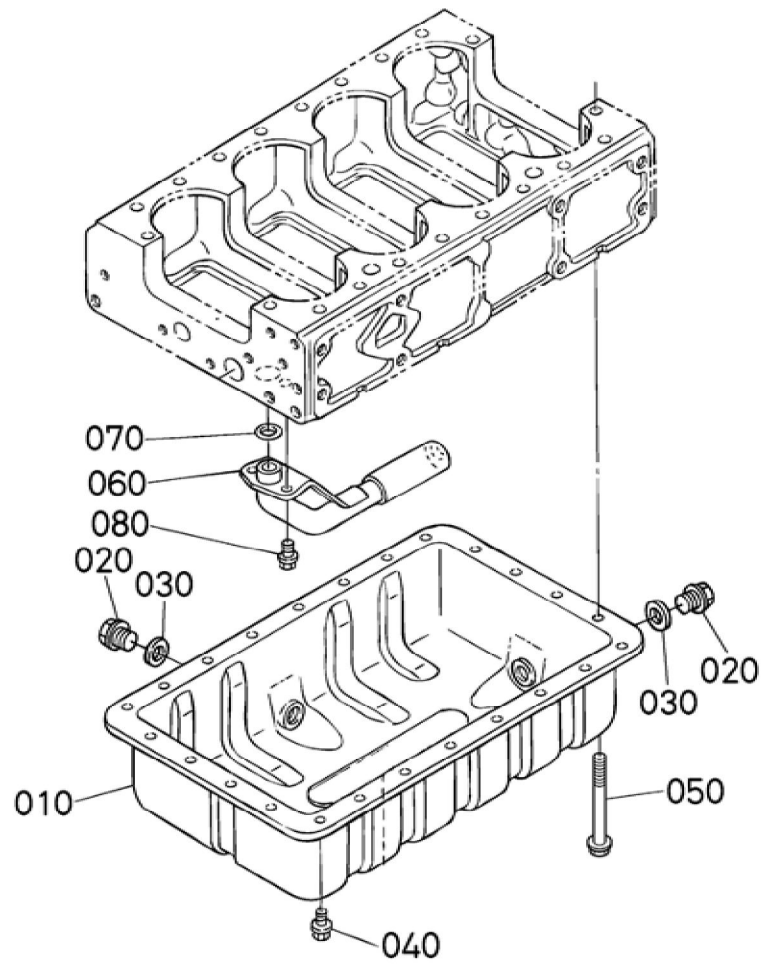
No.	Part Number	Part Name (POL)	Part Name (ENG)	QTY	IC	Serial No./PIN	Kg	Remarks
010	1C010-01010	KOMP.KURBELGEHAEUSE	COMP.CRANKCASE	1		<=2Z1646	92.000	
010	1C010-01019	KOMP.KURBELGEHAEUSE	COMP.CRANKCASE	1	>>	=>3A0458	92.000	
010	1C010-01040	KOMP.KURBELGEHAEUSE	COMP.CRANKCASE	1	NI	=>3L0462	77.000	
020	15521-96020	STOPFEN	PLUG	2			0.003	
030	1C010-96010	STOPFEN	PLUG	1			0.012	
040	16683-96020	STOPFEN	PLUG	1			0.088	
050	15261-03370	STOEPSEL,ABDICHTUNG	CAP SEALING	4			0.005	
060	15221-03380	STOPFEN	CAP SEALING	9			0.017	
070	15221-03390	STOPFEN	CAP SEALING	1			0.030	
080	1C010-96160	STOPFEN	PLUG EXPANSION	1			0.050	
090	05012-00822	ZYLINDERSTIFT	PIN STRAIGHT	1		<=2K0994	0.010	
090	05012-00820	ZYLINDERSTIFT	PIN STRAIGHT	1	NI	=>2L0461	0.008	
100	05012-01020	ZYLINDERSTIFT	PIN STRAIGHT	4		<=2K0994	0.013	
100	05012-01016	ZYLINDERSTIFT	PIN STRAIGHT	4	NI	=>2L0461	0.010	
110	15221-33650	ROHRSTIFT	PIN PIPE	2			0.004	
120	1C010-33640	STIFT	PIN GEAR CASE	1			0.019	
130	1C010-04560	BOLZEN	BOLT BEARING CASE	10			0.130	
140	15221-03380	STOPFEN	CAP SEALING	1			0.017	
150	15261-03370	STOEPSEL,ABDICHTUNG	CAP SEALING	1			0.005	
160	15221-33610	STOPFEN	PLUG	1			0.009	
170	15021-33660	DICHTUNGSPLATTE	GASKET	1			0.001	
180	1C010-37110	ADAPTER, WASSERROHR	JOINT WATER PIPE	1		<=1Y8640	0.020	
180	1C010-37114	ADAPTER, WASSERROHR	JOINT WATER PIPE	1	NI	=>2A0402	0.020	

## BKIDK0536 &gt;&gt; KX251 &gt;&gt; MOTOR / ENGINE &gt;&gt; 000100 KURBELGEHAEUSE / CRANK CASE

Update Date : 2017/05/12 Print Date : 2022/02/15

No.	Part Number	Part Name (POL)	Part Name (ENG)	QTY	IC	Serial No./PIN	Kg	Remarks
190	06311-55030	STOPFEN	PLUG	1			0.050	
200	04714-00300	DICHTUNGSP LATTE	GASKET	1		<=3B0113	0.002	
200	04724-00170	DICHTUNGSP LATTE	GASKET	1	NI	=>3C0461	0.005	
210	1C010-01123	KURBELGHA EUSE	CRANKCASE	1			17.800	
220	01774-51030	SCHRAUBE	BOLT FLANGE	16			0.026	
230	1C010-33650	STIFT	PIN GEAR CASE	1			0.037	

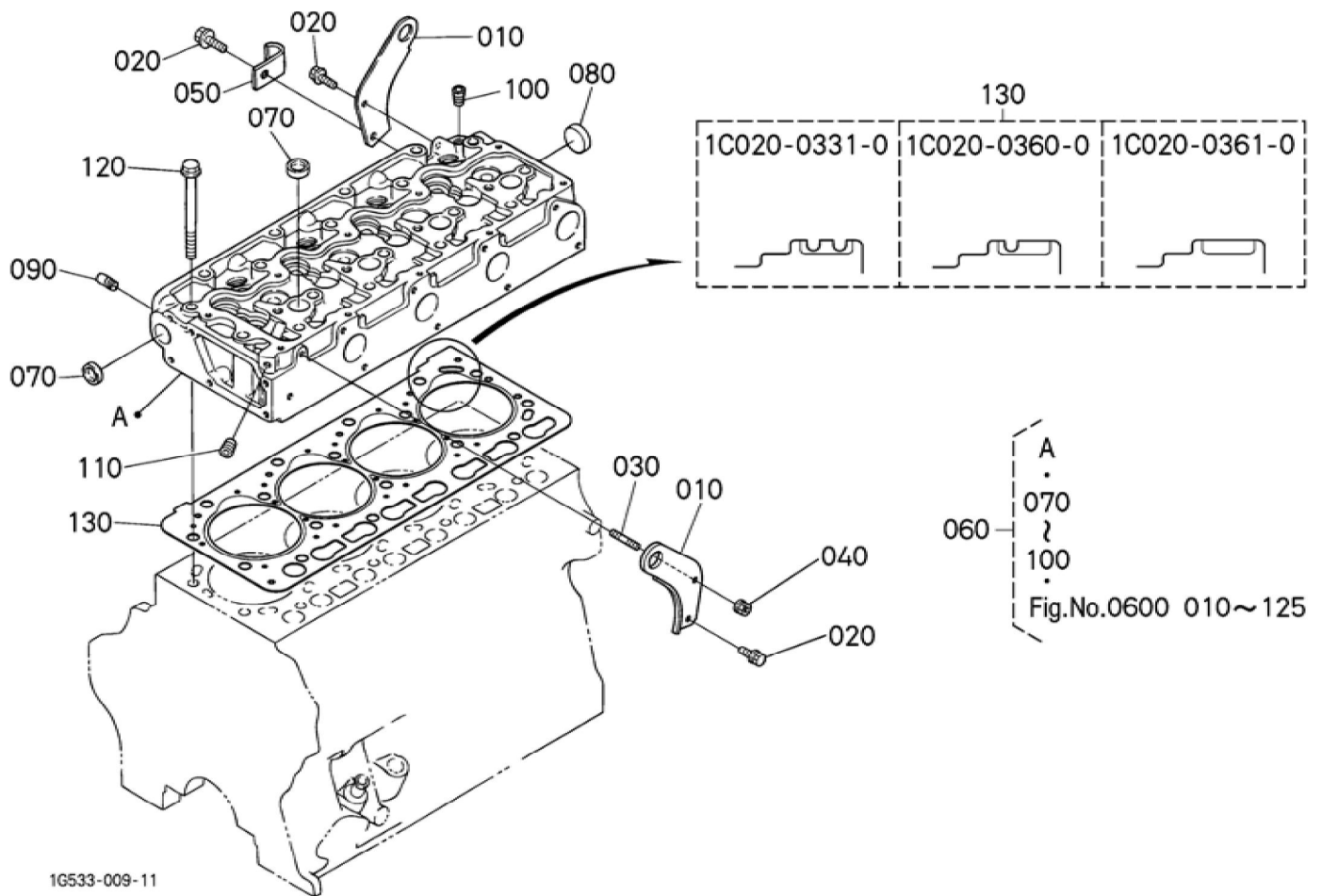
Update Date : 2017/05/12 Print Date : 2022/02/15



## BKIDK0536 &gt;&gt; KX251 &gt;&gt; MOTOR / ENGINE &gt;&gt; 000200 OL-FANGER / OIL PAN

Update Date : 2017/05/12 Print Date : 2022/02/15

No.	Part Number	Part Name (POL)	Part Name (ENG)	QTY	IC	Serial No./PIN	Kg	Remarks
010	1C010-01500	KOMP.OELW ANNE	COMP.OIL PAN	1		<=YZ0503	3.500	
010	1C010-01503	KOMP.OELW ANNE	COMP.OIL PAN	1	NI	=>1A0444	3.100	
020	15707-33750	ENTLEERUN GSSTOPFEN	PLUG DRAIN	2			0.095	
030	16265-96670	DICHTUNG	GASKET	2			0.010	
040	01754-50814	SCHRAUBE	BOLT FLANGE	20		<=YZ0503	0.012	
040	01774-51014	SCHRAUBE	BOLT FLANGE	20	NI	=>1A0444	0.100	
040	1C010-91100	BOLZEN	BOLT OIL PAN	20	NI	=>2A0402	0.020	
050	01774-51004	SCHRAUBE	BOLT FLANGE	4			0.070	
060	1C010-32110	OELFILTER	FILTER OIL	1			0.330	
070	04814-00220	O RING	O RING	1			0.001	
080	01754-50814	SCHRAUBE	BOLT FLANGE	2			0.012	

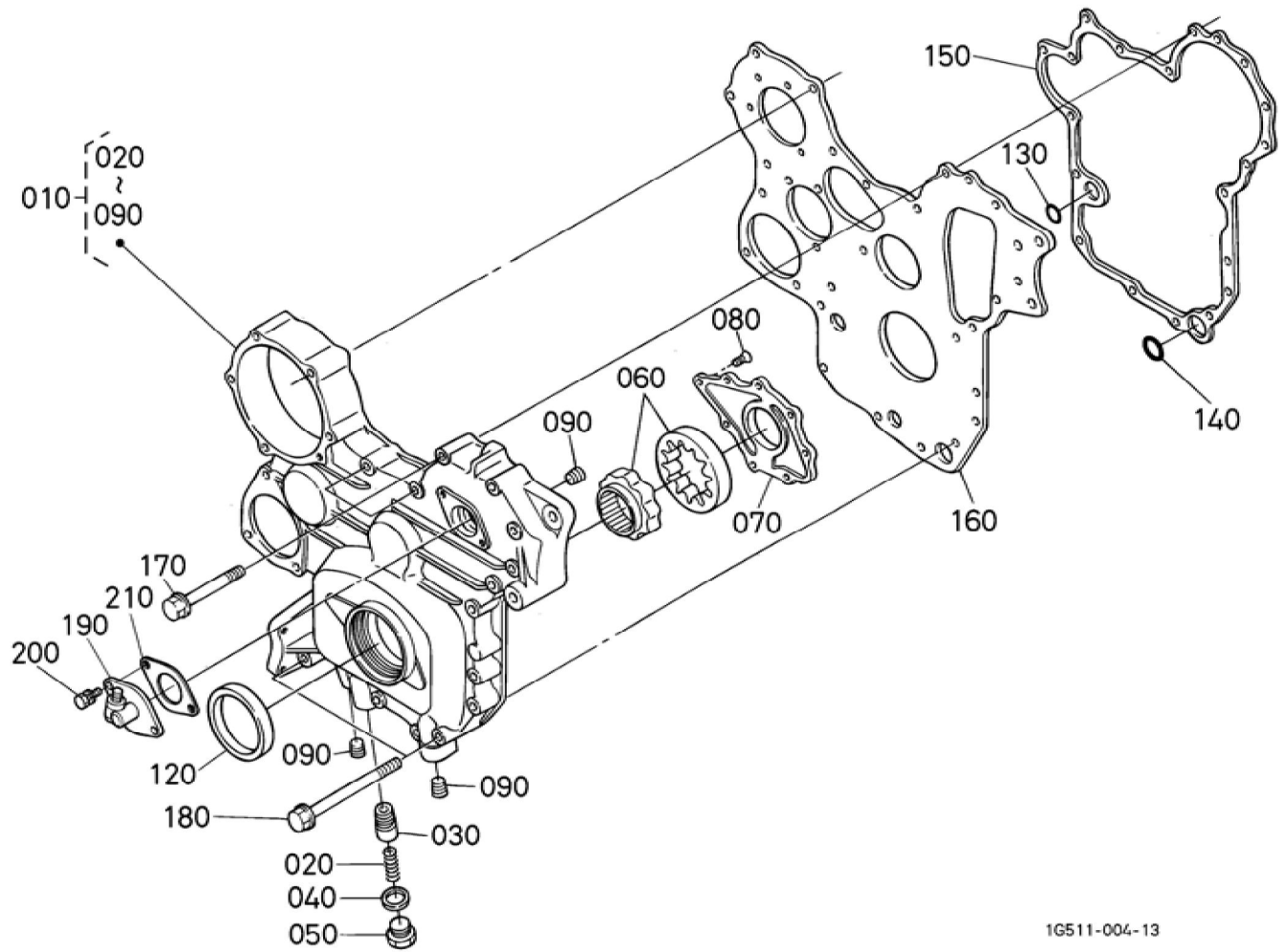


## BKIDK0536 &gt;&gt; KX251 &gt;&gt; MOTOR / ENGINE &gt;&gt; 000300 ZYLINDERKOPF / CYLINDER HEAD

Update Date : 2017/05/12 Print Date : 2022/02/15

No.	Part Number	Part Name (POL)	Part Name (ENG)	QTY	IC	Serial No./PIN	Kg	Remarks
010	15471-01740	MOTORHAKE N	HOOK ENGINE	2			0.180	
020	01754-50814	SCHRAUBE	BOLT FLANGE	3			0.012	
030	15221-91530	STEBBOLZEN	STUD	1			0.010	
040	02751-50080	MUTTER	NUT FLANGE	1			0.006	
050	12234-67580	KABELKLEMM ME	CLAMP CORD	1			0.012	
060	1C010-03023	GRP.ZYLINDER KOPF	ASSY CYLINDER HEAD	1		<=3M1631	25.000	
060	1C010-03026	GRP.ZYLINDER KOPF	ASSY CYLINDER HEAD	1	>>	=>3N0430	25.000	
060	1C040-03020	GRP.ZYLINDER KOPF	ASSY CYLINDER HEAD	1	=		27.000	
070	15221-03370	STOPFEN	CAP SEALING	5			0.010	
080	15221-03490	STOPFEN	CAP SEALING	1			0.020	
090	15261-96010	STOPFEN	PLUG	4			0.002	
100	15521-96020	STOPFEN	PLUG	1			0.003	
110	15841-96020	STOPFEN	PLUG	1			0.020	
120	1C010-03450	ZYLINDERKO PFSCHRAUB E	BOLT CYLINDER HEAD	18			0.100	
130	1C010-03310	ZYLINDERKO PFDICHTUNG	GASKET CYLINDER HEAD	1		<=YX0940	0.160	
130	1C020-03310	ZYLINDERKO PFDICHTUNG	GASKET,CYL. HEAD	1	NI	=>YY0471	0.240	STD/2 KERBE
130	1C020-03600	ZYLINDERKO PFDICHTUNG	GASKET,CYL. HEAD	1			0.270	VERWENDUN G/ 1 KERBE
130	1C020-03610	ZYLINDERKO PFDICHTUNG	GASKET,CYL. HEAD	1			0.290	VERWENDUN G/ KEINE KERBE

Update Date : 2017/05/12 Print Date : 2022/02/15





## BKIDK0536 &gt;&gt; KX251 &gt;&gt; MOTOR / ENGINE &gt;&gt; 000400 GETRIEBE GEHAEUSE / GEAR CASE

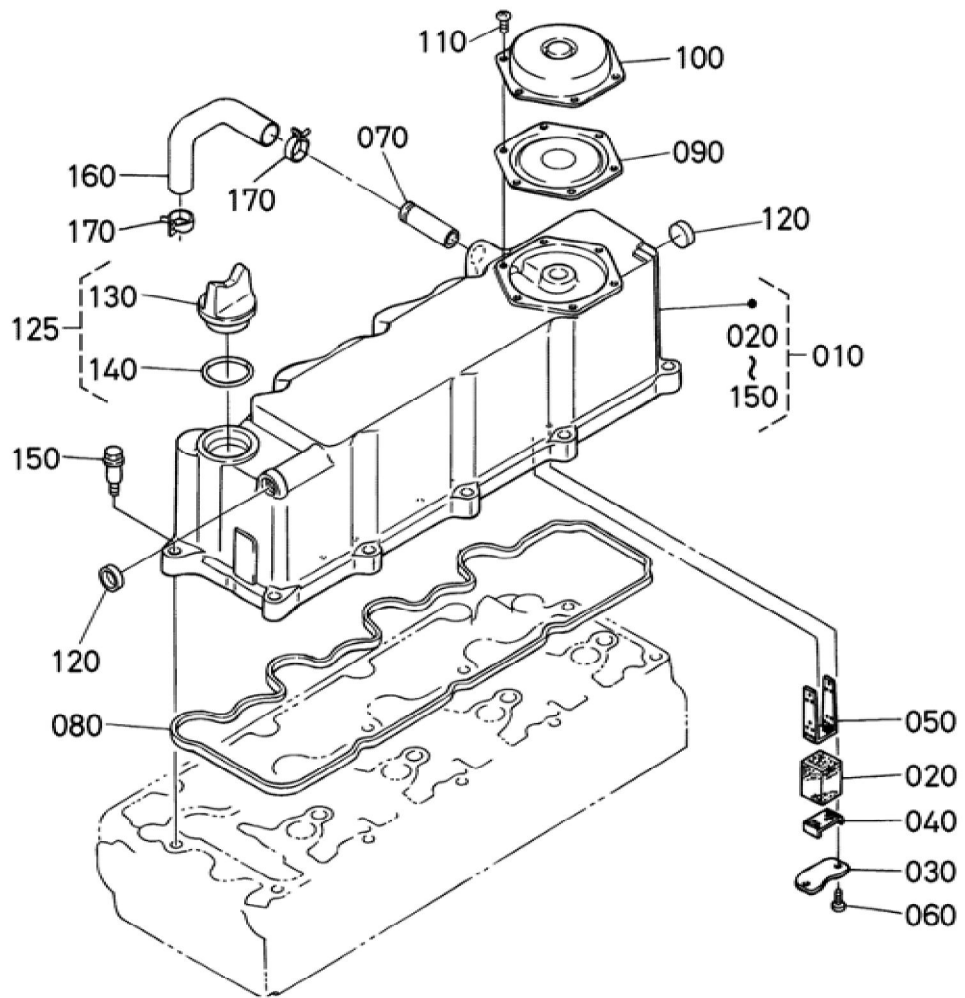
Update Date : 2017/05/12 Print Date : 2022/02/15

No.	Part Number	Part Name (POL)	Part Name (ENG)	QTY	IC	Serial No./PIN	Kg	Remarks
010	1C010-04013	GRP.GETRIE BEGEHAEUS E	ASSY CASE GEAR	1		<=1G8637	5.100	
010	1C010-04014	GRP.GETRIE BEGEHAEUS E	ASSY CASE GEAR	1	NI	=>1J0406	6.000	
010	1C010-04017	GRP.GETRIE BEGEHAEUS E	ASSY CASE GEAR	1	NI	=>2Q0247	5.300	
020	1C010-36950	FEDER	SPRING	1			0.014	
030	1C010-36920	UEBERLAUFV ENTIL	VALVE RELIEF	1		<=2P2016	0.031	
030	1C010-36922	UEBERLAUFV ENTIL	VALVE RELIEF	1	NI	=>2Q0247	0.031	
040	15451-96670	DICHTUNG	GASKET	1			0.003	
050	1C010-36960	STOPFEN	PLUG	1			0.050	
060	1C010-35070	STIFT	ASSY ROTOR OIL PUMP	1			0.300	
070	1C010-35130	DECKEL, OELPUMPE	COVER OIL PUMP	1			0.130	
080	03016-50616	SCHRAUBE	SCREW CSK- HD	8			0.003	
090	1C010-96020	STOPFEN	PLUG	3			0.022	
120	1C020-04140	OELDICHTUN GSRING	SEAL OIL	1			0.044	
130	04814-00200	O RING	O RING	1			0.010	
140	04814-00240	O RING	O RING	1			0.001	
150	1C010-04130	DICHTUNG	GASKET CRANKCASE	1			0.020	
160	1C010-04162	PLATTE	PLATE GEAR CASE	1			4.100	
170	01754-50855	SCHRAUBE	BOLT FLANGE	13			0.020	
180	01754-50875	SCHRAUBE	BOLT FLANGE	2			0.030	
190	16264-83342	DECKEL, GETRIEBE GAEUSE	COVER GEAR CASE	1		<=2P2016	0.010	
190	58417-25950	GRP.GETRIE BEGEHAEUS E	ASSY GEAR CASE H/M	1	NI	=>2Q0247	0.290	
200	1C011-91020	BOLZEN	BOLT	2			0.008	

## BKIDK0536 &gt;&gt; KX251 &gt;&gt; MOTOR / ENGINE &gt;&gt; 000400 GETRIEBE GEHAEUSE / GEAR CASE

Update Date : 2017/05/12 Print Date : 2022/02/15

No.	Part Number	Part Name (POL)	Part Name (ENG)	QTY	IC	Serial No./PIN	Kg	Remarks
210	16264-88130	DICHTUNG	GASKET H/METER UNIT	1			0.002	





**Download the full PDF manual instantly.**

**Our customer service e-mail:**

**[aservicemanualpdf@yahoo.com](mailto:aservicemanualpdf@yahoo.com)**