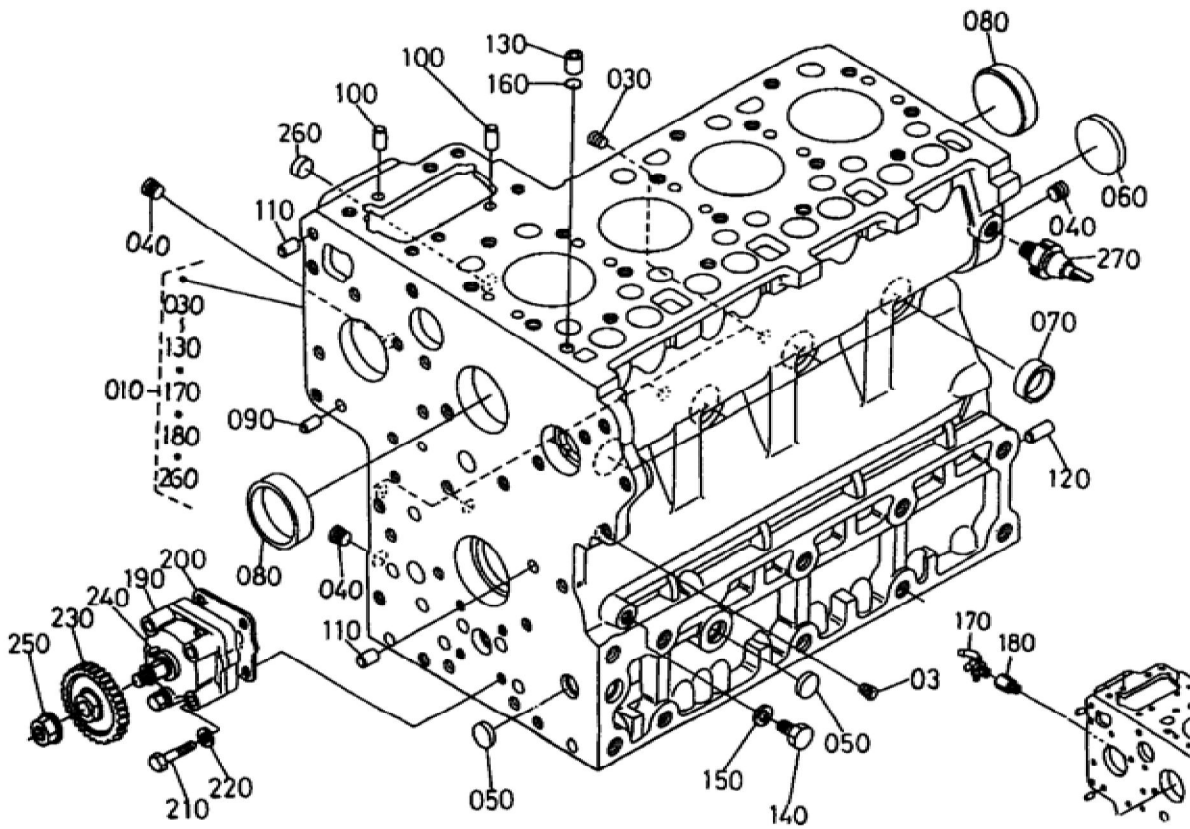


Update Date : 2015/10/29 Print Date : 2022/02/14



BKIDK0088 >> KX121-2 >> MOTOR / BASIC ENGINE >> S00100 KURBELGEHAEUSE / CRANKCASE

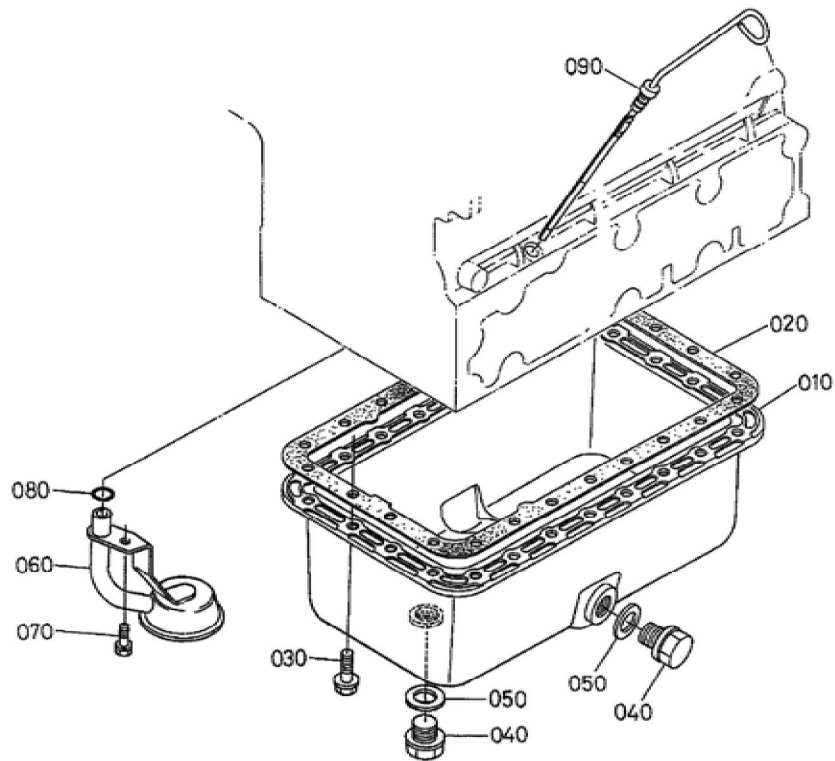
Update Date : 2015/10/29 Print Date : 2022/02/14

No.	Part Number	Part Name (POL)	Part Name (ENG)	QTY	IC	Serial No./PIN	Kg	Remarks
010	16403-01010	KOMP.KURBELGEHAEUSE	COMP.CRANKCASE	1		<=6800	0.000	
010	16404-01010	KOMP.KURBELGEHAEUSE	COMP.CRANKCASE	1	NI	=>6801	54.500	
030	15521-96020	STOPFEN	PLUG	6			0.003	
040	15521-96030	STOPFEN	PLUG	2		<=6800	0.007	
040	15521-96030	STOPFEN	PLUG	3		=>6801	0.007	
050	17391-96160	STOPFEN	PLUG EXPANSION	3			0.003	
060	06311-75045	STOPFEN	PLUG EXPANSION	1			0.026	
070	15221-03380	STOPFEN	CAP SEALING	6			0.017	
080	15221-03390	STOPFEN	CAP SEALING	2			0.030	
090	05012-00408	ZYLINDERSTIFT	PIN STRAIGHT	2			0.001	
100	05012-00609	ZYLINDERSTIFT	PIN STRAIGHT	2			0.003	
110	05012-00612	ZYLINDERSTIFT	PIN STRAIGHT	2			0.003	
120	05012-01018	ZYLINDERSTIFT	PIN STRAIGHT	1			0.012	
130	15221-33650	ROHRSTIFT	PIN PIPE	1			0.004	
140	15221-33610	STOPFEN	PLUG	1			0.009	
150	15021-33660	DICHTUNGSPLATTE	GASKET	1			0.001	
160	15221-33700	O RING	O-RING	1			0.001	
170	15575-73100	ABLASSHAHN	COCK DRAIN	1		<=6800	0.065	
180	15291-73160	ABLASSPROPFEN	JOINT DRAIN COCK	1		<=6800	0.040	
190	15471-35010	GRP.OELPUMPE	ASSY PUMP OIL	1		<=6954	0.000	
190	15471-35012	GRP.OELPUMPE	ASSY PUMP OIL	1	=	=>6955	0.550	
200	15296-35150	DICHTUNG,OELPUMPE	GASKET OIL PUMP	1			0.001	
210	01053-50650	BOLZEN	BOLT	4			0.011	

Update Date : 2015/10/29 Print Date : 2022/02/14

No.	Part Number	Part Name (POL)	Part Name (ENG)	QTY	IC	Serial No./PIN	Kg	Remarks
220	04512-60060	FEDERRING	WASHER SPRING	4			0.001	
230	19202-35660	ZAHNRAD	GEAR OIL PUMP DRIVE	1			0.230	
240	05712-00410	KEIL	KEY FEATHER	1			0.001	
250	15221-35682	MUTTER	NUT FLANGE	1			0.014	
260	06311-85020	KAPPE	CAP SEALING	1			0.002	
270	15531-39010	OELDRUCKS CHALTER	SWITCH OIL	1			0.032	

Update Date : 2015/10/29 Print Date : 2022/02/14

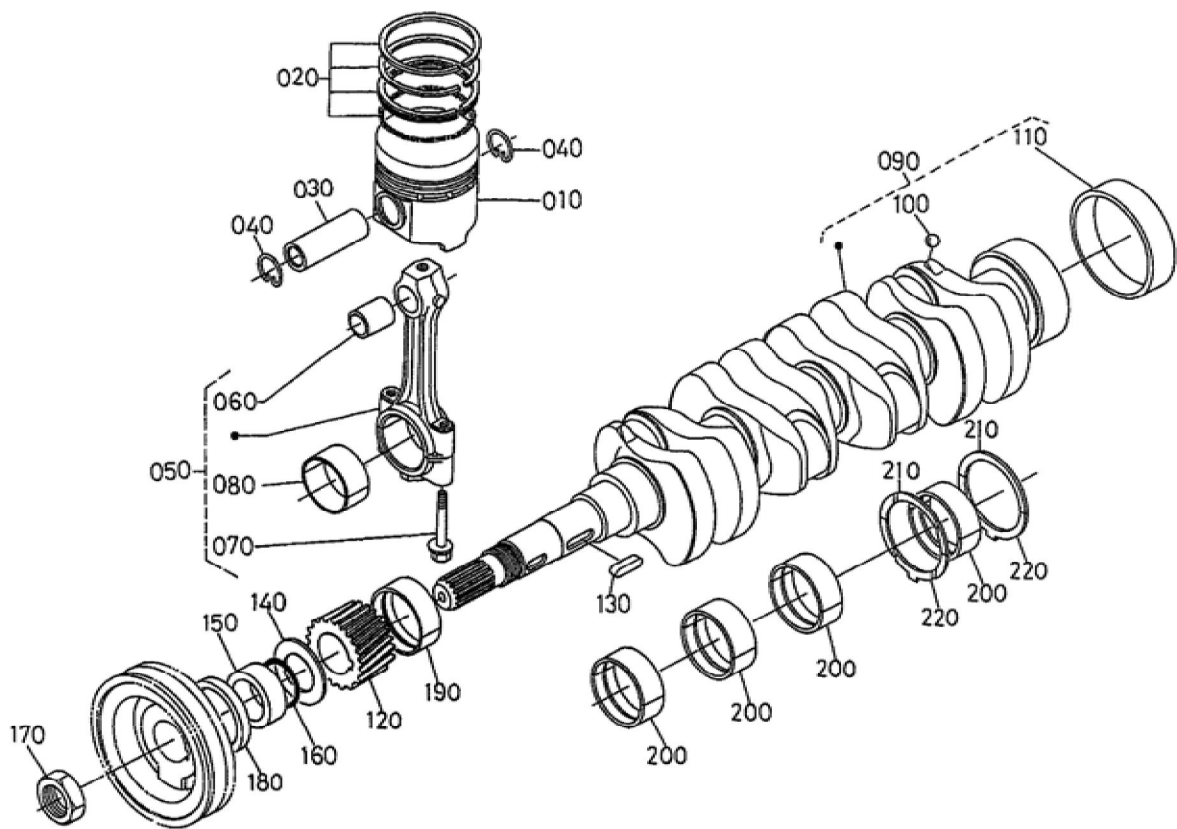


BKIDK0088 >> KX121-2 >> MOTOR / BASIC ENGINE >> S00200 OELWANNE / OIL PAN

Update Date : 2015/10/29 Print Date : 2022/02/14

No.	Part Number	Part Name (POL)	Part Name (ENG)	QTY	IC	Serial No./PIN	Kg	Remarks
010	19077-01500	KOMP.OELW ANNE	COMP.OIL PAN	1			2.650	
020	19228-01620	DICHTUNG	GASKET OIL PAN	1			0.070	
030	17333-91010	SCHRAUBE	BOLT FLANGE	24			0.030	
040	16541-33750	ENTLEERUN GSSTOPFEN	PLUG DRAIN	2			0.074	
050	15451-96670	DICHTUNG	GASKET	2			0.003	
060	16413-32110	OELFILTER	FILTER OIL	1			0.240	
070	01123-60816	SCHRAUBE	BOLT	1			0.010	
080	04814-00160	O RING	O-RING	1			0.001	
090	16413-36412	OELMESSST AB	GAUGE OIL	1			0.040	

Update Date : 2015/10/29 Print Date : 2022/02/14



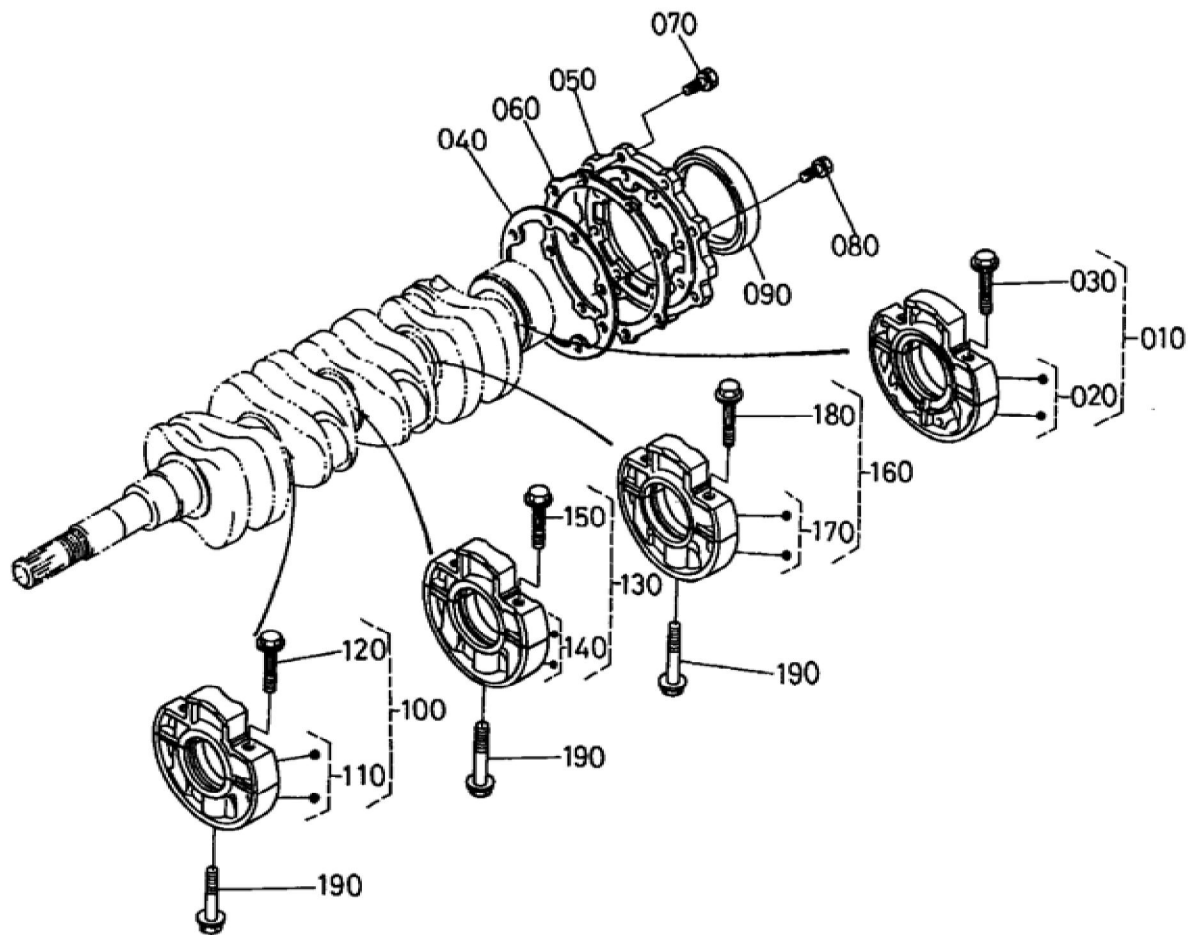
Update Date : 2015/10/29 Print Date : 2022/02/14

No.	Part Number	Part Name (POL)	Part Name (ENG)	QTY	IC	Serial No./PIN	Kg	Remarks
010	16423-21110	KOLBEN	PISTON	4			0.580	STD
010	H1641-21100	KOLBEN	PISTON	4	=		0.580	STD
010	16423-21910	KOLBEN	PISTON	4			0.100	+0.5MM
020	17331-21050	GRP.KOLBEN RING	ASSY PISTON RING	4			0.065	STD
020	17331-21090	GRP.KOLBEN RING	ASSY PISTON RING	4			0.065	+0.5MM
030	14901-21310	KOLBENBOLZEN	PIN PISTON	4			0.170	
040	14109-21330	SPRENGRING	CLIP PISTON PIN	8			0.001	
050	17311-22010	PLEUELSTANGE KOMP.	ASSY CONNECTING ROD	4			0.885	
060	17331-21980	BUCHSE,KOLBENSTIFT	BUSH PISTON PIN	4			0.025	
070	15521-22142	BOLZEN	BOLT CONNECTING ROD	8			0.026	
080	17311-22310	LAGERSCHALE	METAL CRANKPIN	4			0.045	STD SET
080	17331-22970	LAGERSCHALE	METAL CRANKPIN	4			0.050	-0.2MM SET
080	17331-22980	LAGERSCHALE	METAL CRANKPIN	4			0.045	-0.4MM SET
090	16641-23010	KOMP.KURBELWELLE	COMP.CRANKSHAFT	1			17.000	
100	07715-00401	KUGEL	BALL	4			0.001	
110	19202-23280	BUCHSE,KURBELWELLE	SLEEVE CRANKSHAFT	1			0.090	
120	15469-24112	ZAHNRAD	GEAR CRANK	1			0.100	
130	05712-00720	KEIL	KEY FEATHER	1			0.008	
140	15471-23312	RING	SLINGER OIL	1			0.008	
150	19202-23250	HALSRING	COLLAR CRANKSHAFT	1			0.080	
160	19202-96760	O RING	O-RING	1			0.001	
170	15221-23360	MUTTER,KURBELWELLE	NUT CRANKSHAFT	1			0.110	

Update Date : 2015/10/29 Print Date : 2022/02/14

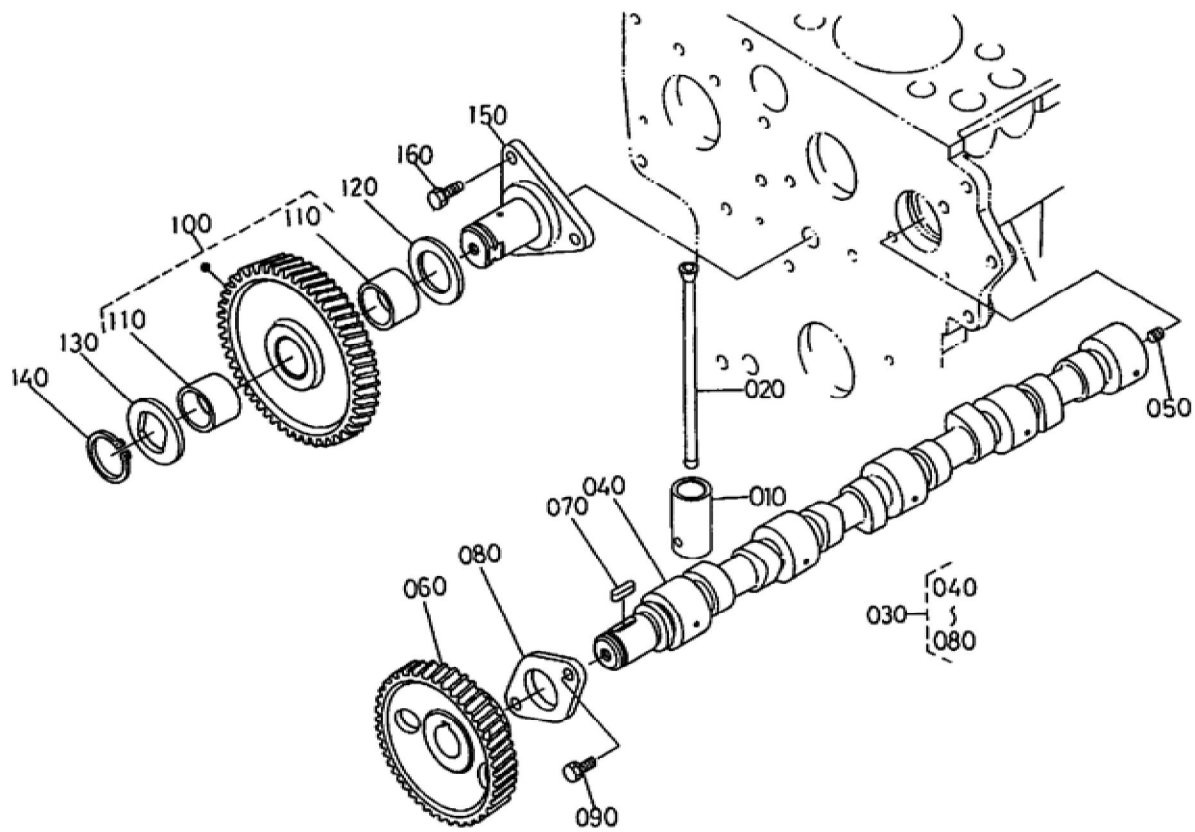
No.	Part Number	Part Name (POL)	Part Name (ENG)	QTY	IC	Serial No./PIN	Kg	Remarks
180	19202-04140	OELDICHTUNGSRING	SEAL OIL	1			0.015	
190	17311-23470	LAGERSCHALE	METAL CRANKSHAFT	1			0.060	STD
190	17311-23910	LAGERSCHALE	METAL CRANKSHAFT	1			0.060	-0.2MM
190	17311-23920	LAGERSCHALE	METAL CRANKSHAFT	1			0.060	-0.4MM
200	17311-23480	LAGERSCHALE	METAL CRANKSHAFT	4			0.045	STD SET
200	17311-23930	LAGERSCHALE	METAL CRANKSHAFT	4			0.050	-0.2MM SET
200	17311-23940	LAGERSCHALE	METAL CRANKSHAFT	4			0.060	-0.4MM SET
210	15221-23950	LAGERSCHALE	METAL SIDE	2			0.009	+0.2MM
210	15221-23960	LAGERSCHALE	METAL SIDE	2			0.009	+0.4MM
210	15521-23530	LAGERSCHALE	METAL SIDE	2			0.010	STD
220	19202-23540	LAGERSCHALE	METAL SIDE	2			0.010	STD
220	19202-23970	LAGERSCHALE	METAL SIDE	2			0.010	+0.2MM
220	19202-23980	LAGERSCHALE	METAL SIDE	2			0.010	+0.4MM

Update Date : 2015/10/29 Print Date : 2022/02/14



Update Date : 2015/10/29 Print Date : 2022/02/14

No.	Part Number	Part Name (POL)	Part Name (ENG)	QTY	IC	Serial No./PIN	Kg	Remarks
010	19013-07090	GRP.LAGERG EHAEUSE	ASSY BRG.CASE WHEEL	1			1.550	
020	19013-04090	GRP.LAGERG EHAEUSE	ASSY CASE MAIN BRG.	1			1.575	
030	19013-04540	BOLZEN,LAG ERKASTEN	BOLT BEARING CASE	2			0.038	
040	19077-04360	DICHTUNG,L AGER	GASKET BRG.CASE	1			0.004	
050	19013-04813	DECKEL,LAG ERKASTEN	COVER BEARING CASE	1			0.410	
060	17118-04830	DICHTUNG	GASKET BRG.CASE COV.	1			0.010	
070	01123-50825	BOLZEN	BOLT	8			0.013	
080	01123-50828	BOLZEN	BOLT	8			0.014	
090	19202-04460	OELDICHTUN GSRING	SEAL OIL	1			0.055	
100	19013-07040	GRP.LAGERG EHAEUSE	ASSY BRG.CASE MAIN	1			1.500	
110	19013-04040	GRP.LAGERG EHAEUSE	ASSY CASE MAIN BRG.	1			1.510	
120	19013-04540	BOLZEN,LAG ERKASTEN	BOLT BEARING CASE	2			0.038	
130	19013-07050	GRP.LAGERG EHAEUSE	ASSY BRG.CASE MAIN	1			1.495	
140	19013-04050	GRP.LAGERG EHAEUSE	ASSY CASE MAIN BRG.	1			1.530	
150	19013-04540	BOLZEN,LAG ERKASTEN	BOLT BEARING CASE	2			0.038	
160	19013-07060	GRP.LAGERG EHAEUSE	ASSY BRG.CASE MAIN	1			1.520	
170	19013-04060	GRP.LAGERG EHAEUSE	ASSY CASE MAIN BRG.	1			1.540	
180	19013-04540	BOLZEN,LAG ERKASTEN	BOLT BEARING CASE	2			0.038	
190	15601-04560	BOLZEN, LAGERKASTE N	BOLT BEARING CASE	3			0.060	





Download the full PDF manual instantly.

Our customer service e-mail:

aservicemanualpdf@yahoo.com