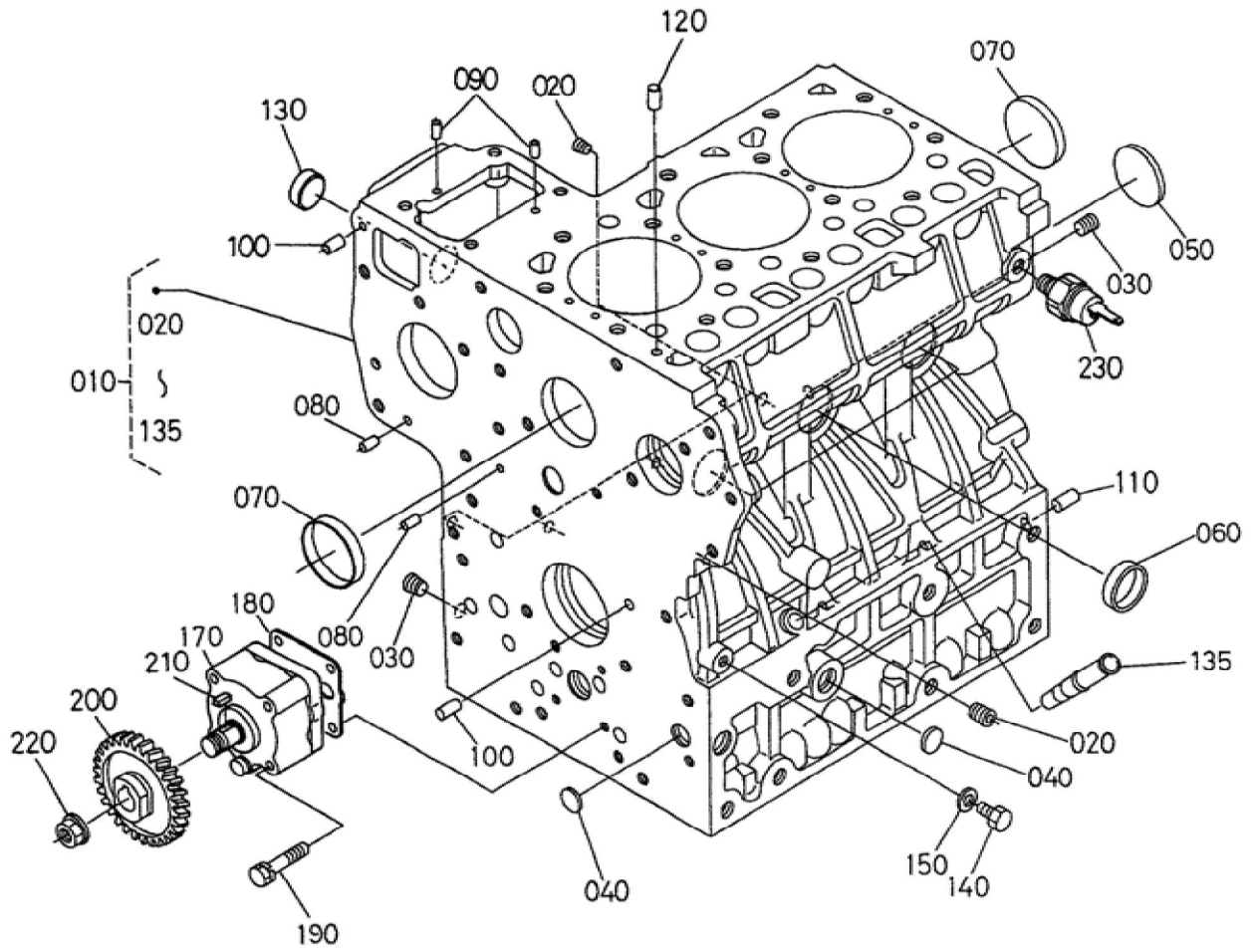


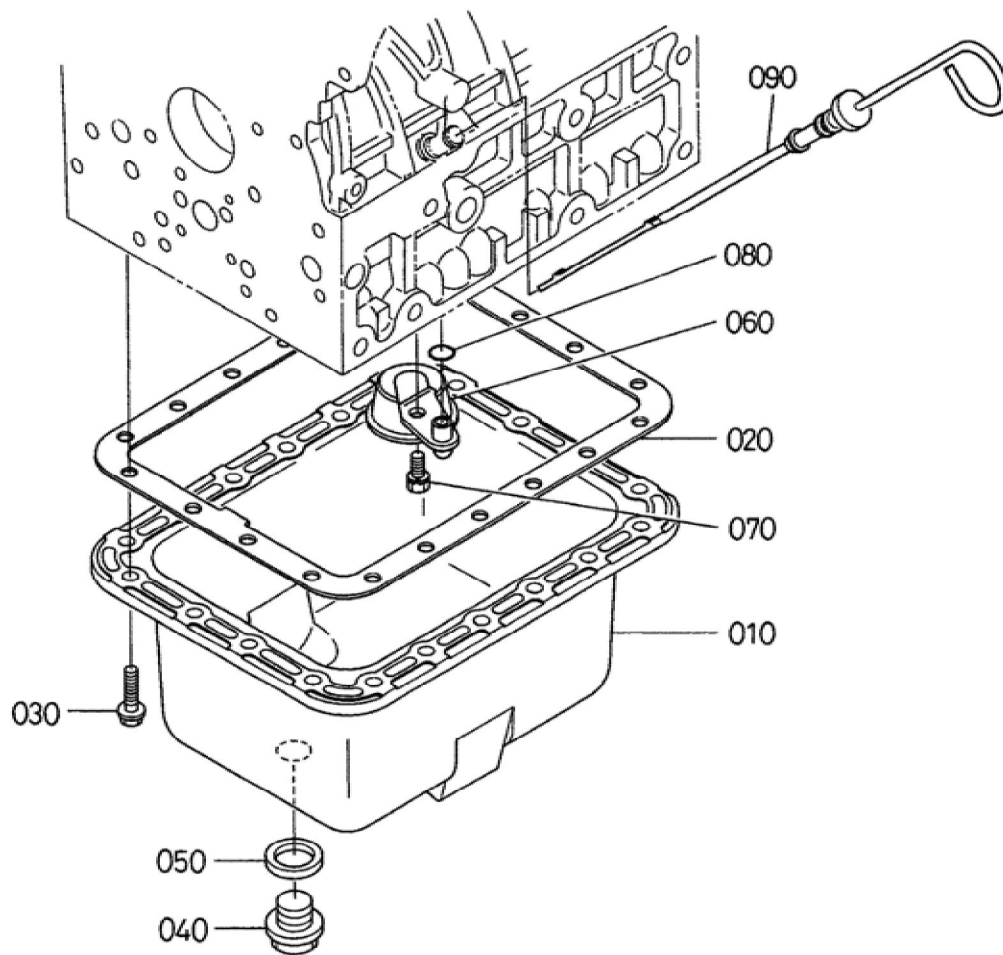
Update Date : 2019/12/13 Print Date : 2022/02/13



Update Date : 2019/12/13 Print Date : 2022/02/13

| No. | Part Number | Part Name (POL)       | Part Name (ENG)     | QTY | IC | Serial No./PIN | Kg     | Remarks |
|-----|-------------|-----------------------|---------------------|-----|----|----------------|--------|---------|
| 010 | 1A053-01010 | KOMP.KURBELGEHAEUSE   | COMP.CRANKCASE      | 1   |    |                | 48.500 |         |
| 020 | 15521-96020 | STOPFEN               | PLUG                | 5   |    |                | 0.003  |         |
| 030 | 15521-96030 | STOPFEN               | PLUG                | 3   |    |                | 0.007  |         |
| 040 | 17391-96160 | STOPFEN               | PLUG EXPANSION      | 3   |    |                | 0.003  |         |
| 050 | 06311-75045 | STOPFEN               | PLUG EXPANSION      | 1   |    |                | 0.026  |         |
| 060 | 15221-03380 | STOPFEN               | CAP SEALING         | 5   |    |                | 0.017  |         |
| 070 | 15221-03390 | STOPFEN               | BUSH GOVERNOR GEAR  | 2   |    |                | 0.030  |         |
| 080 | 05012-00408 | ZYLINDERSTIFT         | PIN STRAIGHT        | 2   |    |                | 0.001  |         |
| 090 | 05012-00609 | ZYLINDERSTIFT         | PIN STRAIGHT        | 2   |    |                | 0.003  |         |
| 100 | 05012-00612 | ZYLINDERSTIFT         | PIN STRAIGHT        | 2   |    |                | 0.003  |         |
| 110 | 05012-01018 | ZYLINDERSTIFT         | PIN STRAIGHT        | 1   |    |                | 0.012  |         |
| 120 | 15221-33650 | ROHRSTIFT             | PIN PIPE            | 1   |    |                | 0.004  |         |
| 130 | 06311-85020 | KAPPE                 | CAP SEALING         | 1   |    |                | 0.002  |         |
| 135 | 17456-36420 | FUEHRUNG, OELMESSSTAB | GUIDE OIL GAUGE     | 1   |    |                | 0.030  |         |
| 140 | 15221-33610 | STOPFEN               | PLUG                | 1   |    |                | 0.009  |         |
| 150 | 15021-33660 | DICHTUNGSPLATTE       | GASKET              | 1   |    |                | 0.001  |         |
| 170 | 15471-35012 | GRP.OELPUMPE          | ASSY PUMP OIL       | 1   |    |                | 0.550  |         |
| 180 | 1A021-35150 | DICHTUNGSPLATTE       | GASKET OIL PUMP     | 1   |    |                | 0.001  |         |
| 190 | 01023-60650 | BOLZEN                | BOLT                | 4   |    |                | 0.015  |         |
| 200 | 19202-35660 | ZAHNRAD               | GEAR OIL PUMP DRIVE | 1   |    |                | 0.230  |         |
| 210 | 05712-00410 | KEIL                  | KEY FEATHER         | 1   |    |                | 0.001  |         |
| 220 | 15221-35682 | MUTTER                | NUT FLANGE          | 1   |    |                | 0.014  |         |
| 230 | 1A024-39010 | OELDRUCKSCHALTER      | SWITCH OIL          | 1   |    |                | 0.035  |         |

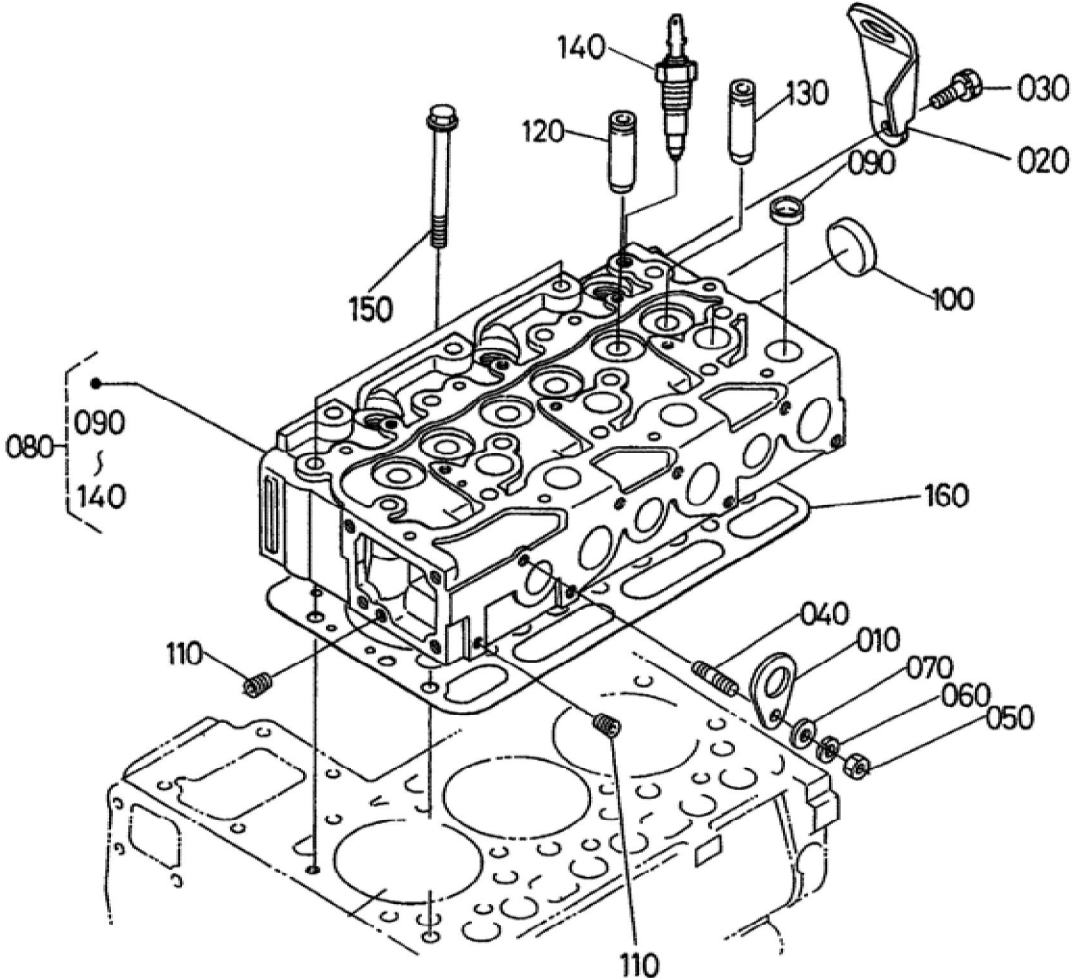
Update Date : 2019/12/13 Print Date : 2022/02/13



Update Date : 2019/12/13 Print Date : 2022/02/13

| No. | Part Number | Part Name (POL)   | Part Name (ENG)   | QTY | IC | Serial No./PIN | Kg    | Remarks |
|-----|-------------|-------------------|-------------------|-----|----|----------------|-------|---------|
| 010 | 1A053-01500 | KOMP.OELW<br>ANNE | COMP.OIL<br>PAN   | 1   |    |                | 1.925 |         |
| 020 | 15313-01620 | DICHTUNG          | GASKET OIL<br>PAN | 1   |    |                | 0.055 |         |
| 030 | 17333-91010 | SCHRAUBE          | BOLT<br>FLANGE    | 20  |    |                | 0.030 |         |
| 040 | 15707-33754 | STOPFEN           | PLUG DRAIN        | 1   |    |                | 0.000 |         |
| 050 | 15451-96670 | DICHTUNG          | GASKET            | 1   |    |                | 0.003 |         |
| 060 | 16413-32110 | OELFILTER         | FILTER OIL        | 1   |    |                | 0.240 |         |
| 070 | 01123-50814 | BOLZEN            | BOLT              | 1   |    |                | 0.010 |         |
| 080 | 04814-00160 | O RING            | O-RING            | 1   |    |                | 0.001 |         |
| 090 | 1A053-36410 | OELMESSST<br>AB   | GAUGE OIL         | 1   |    |                | 0.045 |         |

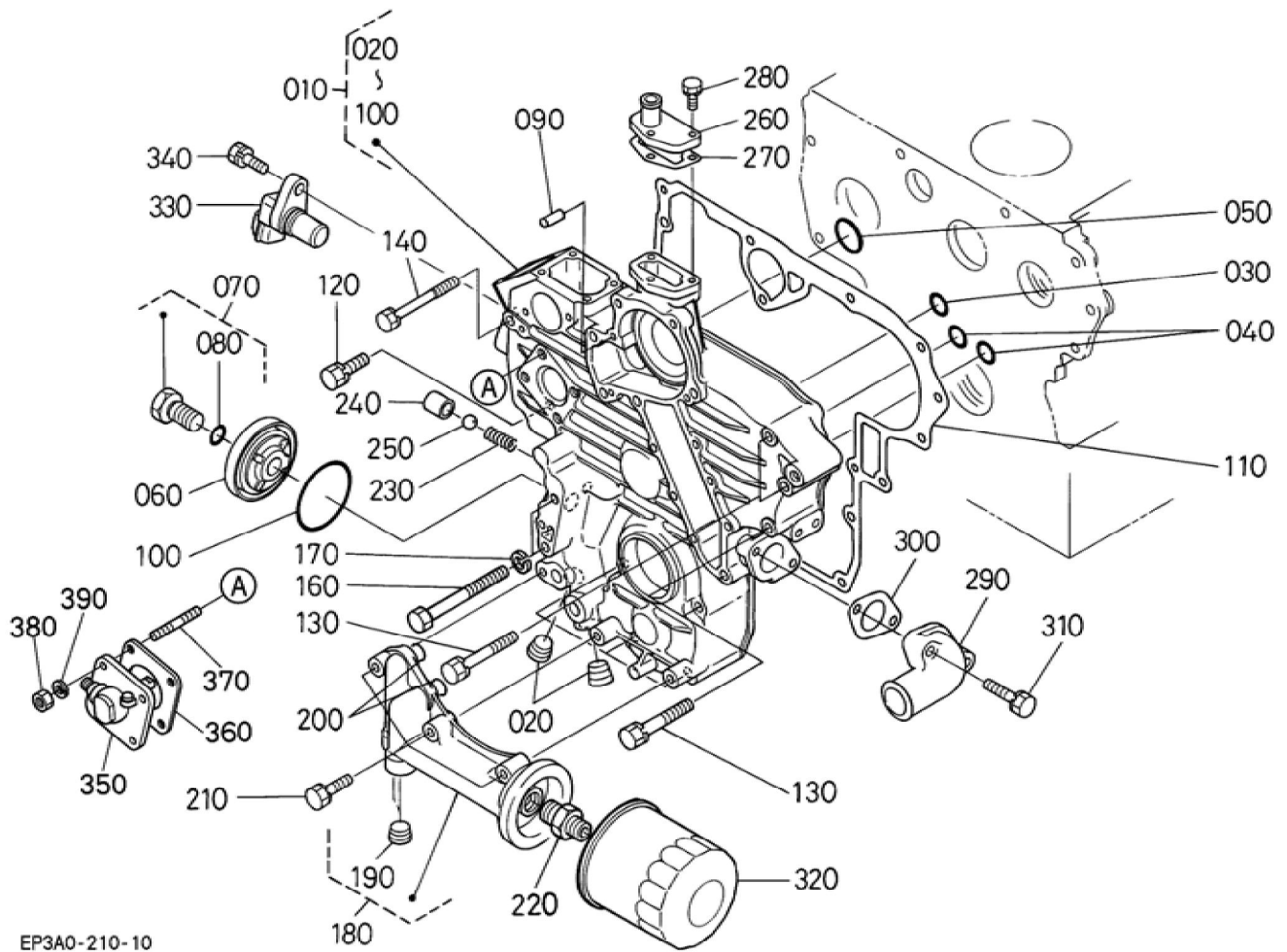
Update Date : 2019/12/13 Print Date : 2022/02/13



Update Date : 2019/12/13 Print Date : 2022/02/13

| No. | Part Number | Part Name (POL)               | Part Name (ENG)            | QTY | IC | Serial No./PIN | Kg     | Remarks |
|-----|-------------|-------------------------------|----------------------------|-----|----|----------------|--------|---------|
| 010 | 15221-01750 | MOTORHAKE<br>N                | HOOK<br>ENGINE             | 1   |    |                | 0.040  |         |
| 020 | 16415-01752 | MOTORHAKE<br>N                | HOOK<br>ENGINE             | 1   |    |                | 0.115  |         |
| 030 | 01123-50816 | SCHRAUBE                      | BOLT                       | 1   |    |                | 0.011  |         |
| 040 | 15471-91530 | STEBOLZEN                     | STUD                       | 1   |    |                | 0.010  |         |
| 050 | 02156-50080 | MUTTER                        | NUT                        | 1   |    |                | 0.004  |         |
| 060 | 04512-50080 | FEDERRING                     | WASHER<br>SPRING           | 1   |    |                | 0.002  |         |
| 070 | 04012-50080 | SCHEIBE                       | WASHER<br>PLAIN            | 1   |    |                | 0.001  |         |
| 080 | 1A051-03040 | KOMP.<br>ZYLINDERKO<br>PF     | COMP.CYLIN<br>DER HEAD     | 1   |    |                | 15.000 |         |
| 090 | 15221-03370 | STOPFEN                       | CAP SEALING                | 9   |    |                | 0.010  |         |
| 100 | 15221-03490 | STOPFEN                       | CAP SEALING                | 1   |    |                | 0.020  |         |
| 110 | 15261-96010 | STOPFEN                       | PLUG                       | 2   |    |                | 0.002  |         |
| 120 | 17321-13580 | EINLASSVEN<br>TILFUEHRUN<br>G | GUIDE INLET<br>VALVE       | 3   |    |                | 0.015  |         |
| 130 | 17321-13560 | AUSLASSVEN<br>TILFUEHRUN<br>G | GUIDE<br>EXHAUST<br>VALVE  | 3   |    |                | 0.020  |         |
| 140 | 31351-32830 | TEMPERATU<br>RGEBER           | THERMO<br>UNIT             | 1   |    |                | 0.020  |         |
| 150 | 19013-03450 | ZYLINDERKO<br>PFSCHRAUB<br>E  | BOLT<br>CYLINDER<br>HEAD   | 14  |    |                | 0.077  |         |
| 160 | 1G720-03310 | ZYLINDERKO<br>PFDICHTUNG      | GASKET<br>CYLINDER<br>HEAD | 1   |    |                | 0.220  |         |

Update Date : 2019/12/13 Print Date : 2022/02/13



EP3A0-210-10

Update Date : 2019/12/13 Print Date : 2022/02/13

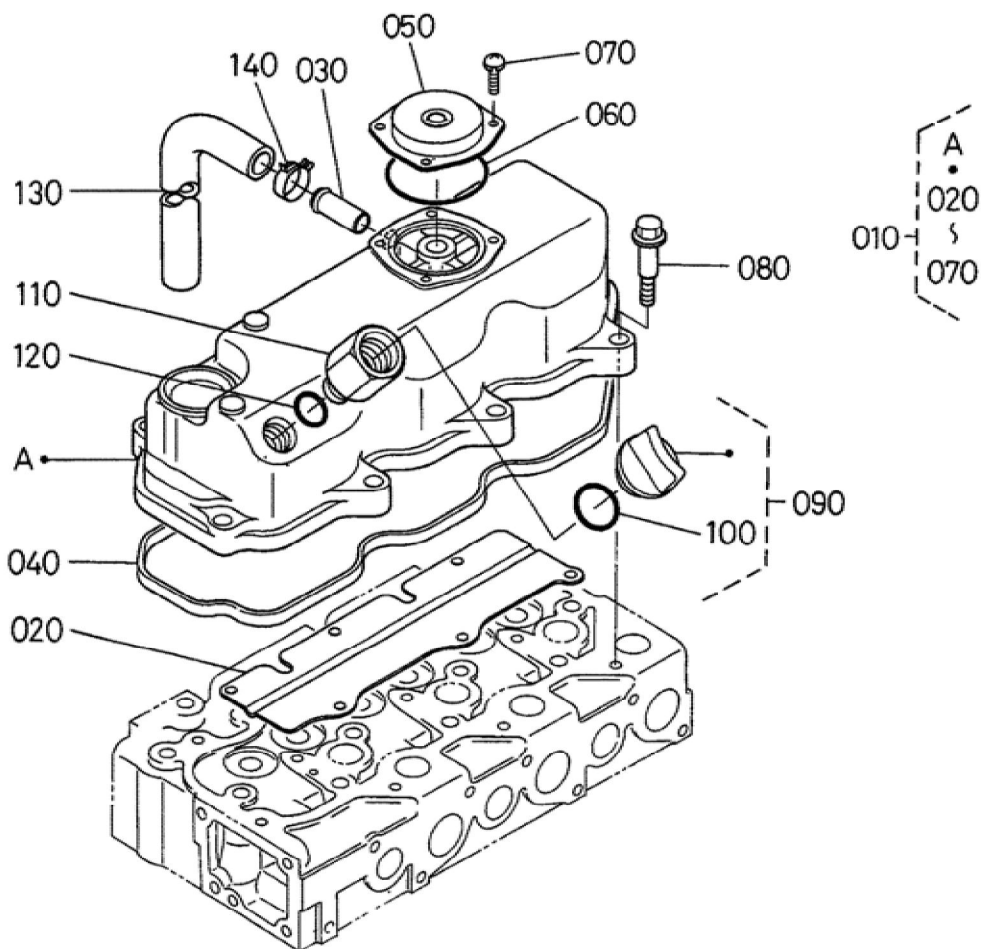
| No. | Part Number | Part Name (POL)      | Part Name (ENG)      | QTY | IC | Serial No./PIN | Kg    | Remarks |
|-----|-------------|----------------------|----------------------|-----|----|----------------|-------|---------|
| 010 | 1G723-04010 | GRP.GETRIEBEGEHAEUSE | ASSY CASE GEAR       | 1   |    |                | 3.700 |         |
| 020 | 16241-96020 | STOPFEN              | PLUG                 | 3   |    |                | 0.015 |         |
| 030 | 04814-00150 | O RING               | O-RING               | 1   |    |                | 0.001 |         |
| 040 | 04814-00220 | O RING               | O-RING               | 2   |    |                | 0.001 |         |
| 050 | 04814-00360 | O RING               | O-RING               | 1   |    |                | 0.001 |         |
| 060 | 17331-32880 | DECKEL               | COVER                | 1   |    |                | 0.075 |         |
| 070 | 1A053-32910 | KOMP.BOLZEN          | ASSY BOLT            | 1   |    |                | 0.066 |         |
| 080 | 04814-00150 | O RING               | O-RING               | 1   |    |                | 0.001 |         |
| 090 | 05012-00612 | ZYLINDERSTIFT        | PIN STRAIGHT         | 2   |    |                | 0.003 |         |
| 100 | 19202-96830 | O RING               | O-RING               | 1   |    |                | 0.010 |         |
| 110 | 1A021-04130 | DICHTUNG             | GASKET GEAR CASE     | 1   |    |                | 0.019 |         |
| 120 | 01123-50835 | BOLZEN               | BOLT                 | 1   |    |                | 0.020 |         |
| 130 | 01123-50870 | BOLZEN               | BOLT                 | 7   |    |                | 0.029 |         |
| 140 | 17367-91010 | BOLZEN               | BOLT                 | 1   |    |                | 0.005 |         |
| 160 | 01153-50802 | BOLZEN               | BOLT                 | 2   |    |                | 0.040 |         |
| 170 | 04512-50080 | FEDERRING            | WASHER SPRING        | 2   |    |                | 0.002 |         |
| 180 | 1A053-32600 | OELFILTERKONSOLE     | ASSY BASE OIL FILTER | 1   |    |                | 0.505 |         |
| 190 | 16241-96020 | STOPFEN              | PLUG                 | 2   |    |                | 0.015 |         |
| 200 | 04814-00150 | O RING               | O-RING               | 2   |    |                | 0.001 |         |
| 210 | 01123-50840 | BOLZEN               | BOLT                 | 3   |    |                | 0.018 |         |
| 220 | 15521-32290 | VERBINDUNGSTUECK     | ADAPTER              | 1   |    |                | 0.050 |         |
| 230 | 15241-36950 | FEDER                | SPRING               | 1   |    |                | 0.004 |         |
| 240 | 15521-36930 | SITZ,VENTIL          | SEAT VALVE           | 1   |    |                | 0.015 |         |
| 250 | 07715-03213 | KUGEL                | BALL                 | 1   |    |                | 0.004 |         |
| 260 | 15521-73320 | FLANSCH              | FLANGE WATER RETURN  | 1   |    |                | 0.040 |         |
| 270 | 1A021-73330 | DICHTUNGSPLATTE      | GASKET RETURN FLANGE | 1   |    |                | 0.001 |         |
| 280 | 01023-50620 | BOLZEN               | BOLT                 | 3   |    |                | 0.006 |         |
| 290 | 1A053-72830 | FLANSCH              | FLANGE WATER         | 1   |    |                | 0.135 |         |



Update Date : 2019/12/13 Print Date : 2022/02/13

| No. | Part Number | Part Name (POL)                           | Part Name (ENG)          | QTY | IC | Serial No./PIN | Kg    | Remarks |
|-----|-------------|---|--------------------------|-----|----|----------------|-------|---------|
| 300 | 1A053-72840 | DICHTUNG                                  | GASKET WATER FLANGE      | 1   |    |                | 0.001 |         |
| 310 | 01123-50840 | BOLZEN                                    | BOLT                     | 2   |    |                | 0.018 |         |
| 320 | 1C010-32430 | OELFILTERP<br>ATRONE                      | OIL FILTER               | 1   |    |                | 0.450 |         |
| 330 | T1060-32270 | DREHZAHL<br>SENSOR                        | SENSOR<br>REVOLUTION     | 1   |    |                | 0.022 |         |
| 340 | 01023-50616 | BOLZEN                                    | BOLT                     | 1   |    |                | 0.006 |         |
| 350 | 38240-34660 | GEHAUSE,<br>STUNDENZA<br>EHLERANTRI<br>EB | ASSY GEAR<br>CASE,H/M    | 1   |    |                | 0.335 |         |
| 360 | 15296-88130 | DICHTUNG                                  | GASKET,H/M<br>ETER DRIVE | 1   |    |                | 0.002 |         |
| 370 | 15221-88210 | STEBOLZEN                                 | STUD                     | 4   |    |                | 0.005 |         |
| 380 | 02056-50060 | MUTTER                                    | NUT                      | 4   |    |                | 0.002 |         |
| 390 | 04512-60060 | FEDERRING                                 | WASHER,SP<br>RING        | 4   |    |                | 0.001 |         |

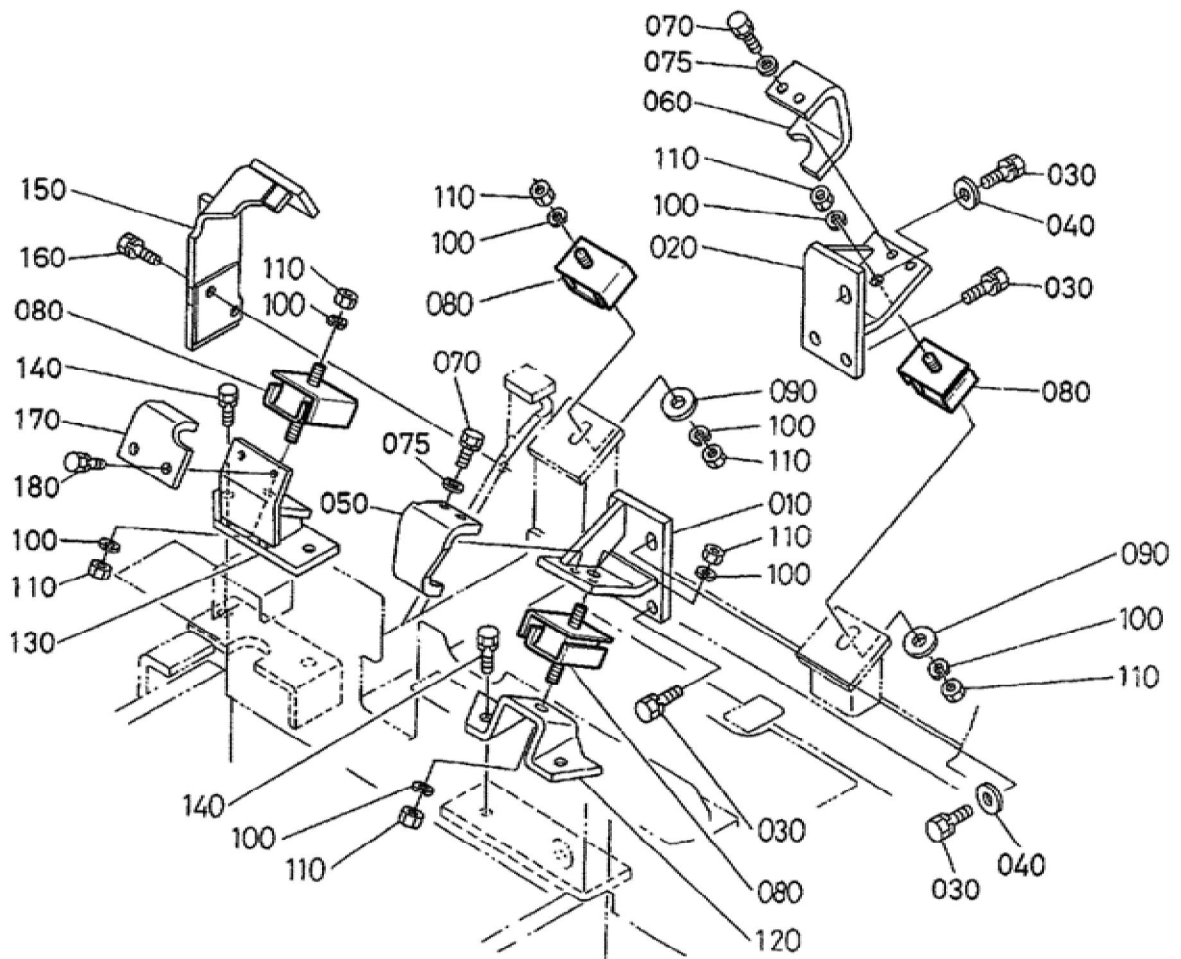
Update Date : 2019/12/13 Print Date : 2022/02/13



Update Date : 2019/12/13 Print Date : 2022/02/13

| No. | Part Number | Part Name (POL)            | Part Name (ENG)        | QTY | IC | Serial No./PIN | Kg    | Remarks |
|-----|-------------|----------------------------|------------------------|-----|----|----------------|-------|---------|
| 010 | 1A053-14500 | DECKEL<br>ZYLINDERKO<br>PF | ASSY COVER<br>CYL.HEAD | 1   |    |                | 1.230 |         |
| 020 | 1A021-05370 | OELSCHILD,E<br>NTLUEFTER   | SHELD OIL<br>BREATHER  | 1   |    |                | 0.100 |         |
| 030 | 17331-73340 | WASSERROH<br>R             | PIPE WATER<br>RETURN   | 1   |    |                | 0.000 |         |
| 040 | 1A021-14520 | VENTILDECK<br>ELDICHTUNG   | GASKET<br>HEAD COVER   | 1   |    |                | 0.020 |         |
| 050 | 1A021-05120 | ENTLUEFTER<br>DECKEL       | COVER<br>BREATHER      | 1   |    |                | 0.039 |         |
| 060 | 1A021-05430 | O RING                     | O-RING                 | 1   |    |                | 0.001 |         |
| 070 | 03024-50510 | SCHRAUBE                   | SCREW WITH<br>WASHER   | 4   |    |                | 0.002 |         |
| 080 | 1G911-91020 | BOLZEN                     | BOLT                   | 8   |    |                | 0.015 |         |
| 090 | 1A053-33080 | BLINDSTOPF<br>EN           | ASSY PLUG              | 1   |    |                | 0.013 |         |
| 100 | 04814-06230 | O RING                     | O-RING                 | 1   |    |                | 0.001 |         |
| 110 | RG511-42810 | ADAPTER                    | ADAPTER<br>(G3/4-G3/4) | 1   |    |                | 0.244 |         |
| 120 | RG208-86550 | O-RING                     | O-RING                 | 1   |    |                | 0.000 |         |
| 130 | 1A053-05510 | ENTLUEFTUN<br>GSROHR       | TUBE<br>BREATHER       | 1   |    |                | 0.085 |         |
| 140 | 09318-88150 | SCHLAUCHBI<br>NDER         | CLAMP HOSE             | 1   |    |                | 0.004 |         |

Update Date : 2019/12/13 Print Date : 2022/02/13





**Download the full PDF manual instantly.**

**Our customer service e-mail:**

**[aservicemanualpdf@yahoo.com](mailto:aservicemanualpdf@yahoo.com)**