

## BKIDA5120 &gt;&gt; KX101-3ALPHA4 &gt;&gt; MOTOR / ENGINE &gt;&gt; 000100 KURBELGEHAEUSE / CRANKCASE

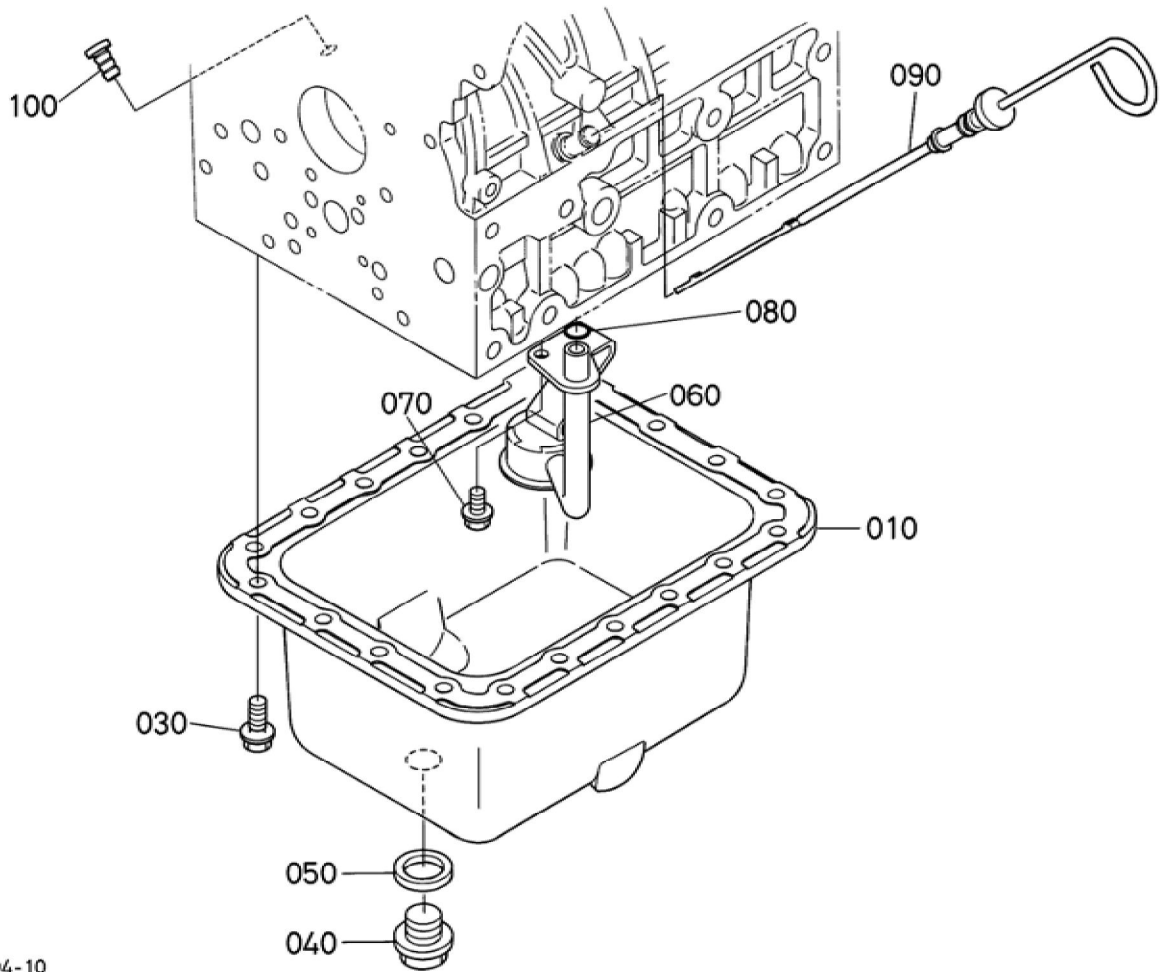
Update Date : 2020/02/20 Print Date : 2022/02/13

No.	Part Number	Part Name (POL)	Part Name (ENG)	QTY	IC	Serial No./PIN	Kg	Remarks
010	1A391-01010	KOMP.KURBELGEHAEUSE	CRANKCASE, COMP	1		<=7GPZ999	0.000	
010	1A391-01013	KOMP.KURBELGEHAEUSE	CRANKCASE, COMP	1	>>	>=7GQ0001	0.000	
020	15521-96020	STOPFEN	PLUG	5			0.003	
030	15521-96030	STOPFEN	PLUG	2			0.007	
035	15321-73340	WASSERROHR	PIPE(WATER RETURN)	1			0.016	
040	17391-96160	STOPFEN	PLUG,EXPANSION	3			0.003	
050	16271-96160	STOPFEN	PLUG,EXPANSION	1			0.025	
060	15221-03380	STOPFEN	CAP,SEALING	5			0.017	
070	15221-03390	STOPFEN	CAP,SEALING	2			0.030	
080	05012-00408	ZYLINDERSTIFT	PIN,STRAIGHT	2			0.001	
090	05012-00609	ZYLINDERSTIFT	PIN,STRAIGHT	3			0.003	
100	05012-00612	ZYLINDERSTIFT	PIN, STRAIGHT	2			0.003	
110	05012-01018	ZYLINDERSTIFT	PIN,STRAIGHT	2			0.012	
120	15221-33650	ROHRSTIFT	PIN,PIPE	1			0.004	
130	16851-96270	KAPPE	CAP,SEALING	1			0.005	
135	17456-36420	FUEHRUNG, OELMESSSTAB	GUIDE (GAUGE,OIL)	1			0.030	
140	1G896-33610	BOLZEN	PLUG	1			0.008	
150	15021-33660	DICHTUNGSPLATTE	PACKING	1			0.001	
160	15471-35013	GRP.OELPUMPE	ASSY PUMP,OIL	1			0.550	
170	1A021-35150	DICHTUNGSPLATTE	GASKET,OIL PUMP	1			0.001	
180	01023-50650	BOLZEN	BOLT,SEMS	4			0.012	
190	1G896-35660	ZAHNRAD	GEAR,OIL PUMP DRIVE	1			0.135	
200	05712-00410	KEIL	KEY,FEATHER	1			0.001	

BKIDA5120 >> KX101-3ALPHA4 >> MOTOR / ENGINE >> 000100 KURBELGEHAEUSE / CRANKCASE

Update Date : 2020/02/20 Print Date : 2022/02/13

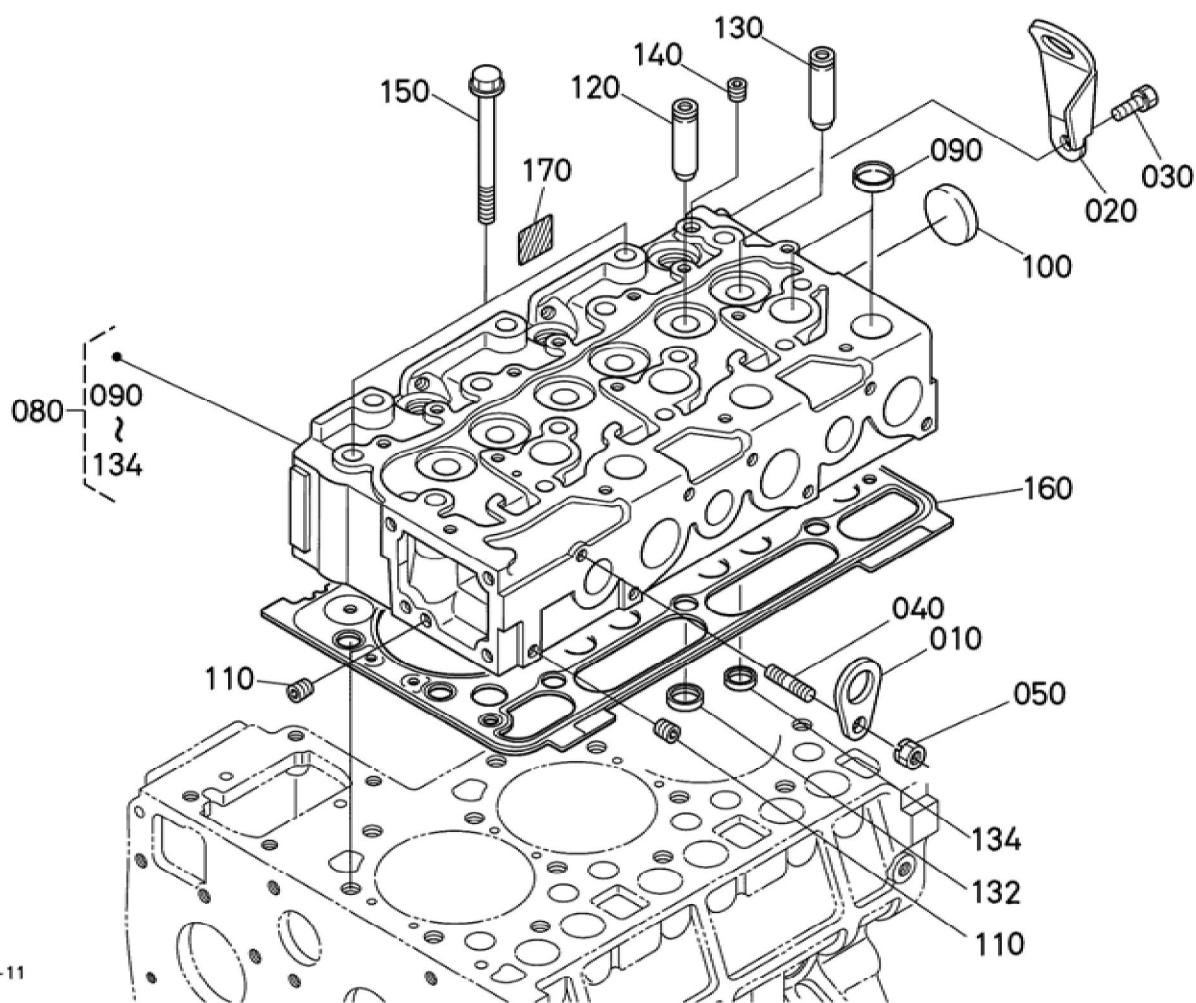
No.	Part Number	Part Name (POL)	Part Name (ENG)	QTY	IC	Serial No./PIN	Kg	Remarks
210	15221-35682	MUTTER	NUT	1			0.014	
220	T1850-39010	OELDRUCKS CHALTER	SWITCH,OIL	1			0.040	



## BKIDA5120 &gt;&gt; KX101-3ALPHA4 &gt;&gt; MOTOR / ENGINE &gt;&gt; 000200 OELWANNE / OIL PAN

Update Date : 2020/02/20 Print Date : 2022/02/13

No.	Part Number	Part Name (POL)	Part Name (ENG)	QTY	IC	Serial No./PIN	Kg	Remarks
010	1A053-01503	OELWANNE KOMP.	COMP.OIL PAN	1			1.925	
030	17333-91013	SCHRAUBE	BOLT,FLANG E	20			0.030	
040	15707-33750	ENTLEERUN GSSTOPFEN	PLUG(DRAIN)	1			0.095	
050	15451-96670	DICHTUNG	PACKING	1			0.003	
060	1G850-32110	OELFILTER	FILTER,OIL	1			0.255	
070	01754-50812	SCHRAUBE	BOLT,FLANG E	1			0.008	
080	04814-00160	O RING	O RING	1			0.001	
090	1A053-36414	OELMESSST AB	GAUGE,OIL	1			0.045	
100	1G513-36550	STOPFEN, OELMESSST AB	PLUG,OIL GAUGE	1			0.004	



## BKIDA5120 &gt;&gt; KX101-3ALPHA4 &gt;&gt; MOTOR / ENGINE &gt;&gt; 000300 ZYLINDERKOPF / CYLINDER HEAD

Update Date : 2020/02/20 Print Date : 2022/02/13

No.	Part Number	Part Name (POL)	Part Name (ENG)	QTY	IC	Serial No./PIN	Kg	Remarks
010	15221-01750	MOTORHAKE N	HOOK,ENGIN E	1			0.040	
020	16415-01752	MOTORHAKE N	HOOK,ENGIN E	1			0.115	
030	01123-50816	SCHRAUBE	BOLT,SEMS	1			0.011	
040	15471-91530	STEBOLZEN	BOLT,STUD	1			0.010	
050	16429-92010	MUTTER	NUT WITH LOCK WASHER	1			0.007	
080	1G711-03040	KOMP.ZYLIN DERKOPF	HEAD,CYL,C OMP	1			15.000	
090	15221-03370	STOPFEN	PLUG,CUP TYPE	9			0.010	
100	15221-03490	STOPFEN	CAP,SEALING	1			0.020	
110	15261-96010	STOPFEN	PLUG	2			0.002	
120	1G896-13580	EINLASSVEN TILFUEHRUN G	GUIDE,VALVE ,INLET	3		<=7JVZ999	0.020	
120	1J829-13580	VENTILFUEH RUNG	GUIDE,VALVE (INLET)	3	>>	>=7JW0001	0.020	
130	1C010-13560	AUSLASSVEN TILFUEHRUN G	GUIDE,EXHA UST VALVE	3		<=7JVZ999	0.025	
130	1J829-13560	VENTILFUEH RUNG	GUIDE,VALVE (EXHAUST)	3	>>	>=7JW0001	0.020	
132	16415-13620	VENTILSITZ, EINLASSVEN TIL	SEAT,VALVE (INLET)	3			0.010	
134	16415-13612	VENTILSITZ, AUSLASSVEN TIL	SEAT (EXHAUST VALVE)	3			0.010	
140	15841-96020	STOPFEN	PLUG	1			0.020	
150	19013-03450	ZYLINDERKO PFSCHRAUB E	BOLT,HEAD (CYLINDER)	14			0.077	
160	1G750-03602	ZYLINDERKO PFDICHTUNG	GASKET,CYL. HEAD	1			0.215	1.15mm
160	1G750-03312	ZYLINDERKO PFDICHTUNG	GASKET,CYL. HEAD	1			0.220	1.20mm
160	1G750-03612	ZYLINDERKO PFDICHTUNG	GASKET,CYL. HEAD	1			0.235	1.25mm
160	1G750-03622	ZYLINDERKO PFDICHTUNG	GASKET,CYL. HEAD	1			0.245	1.30mm

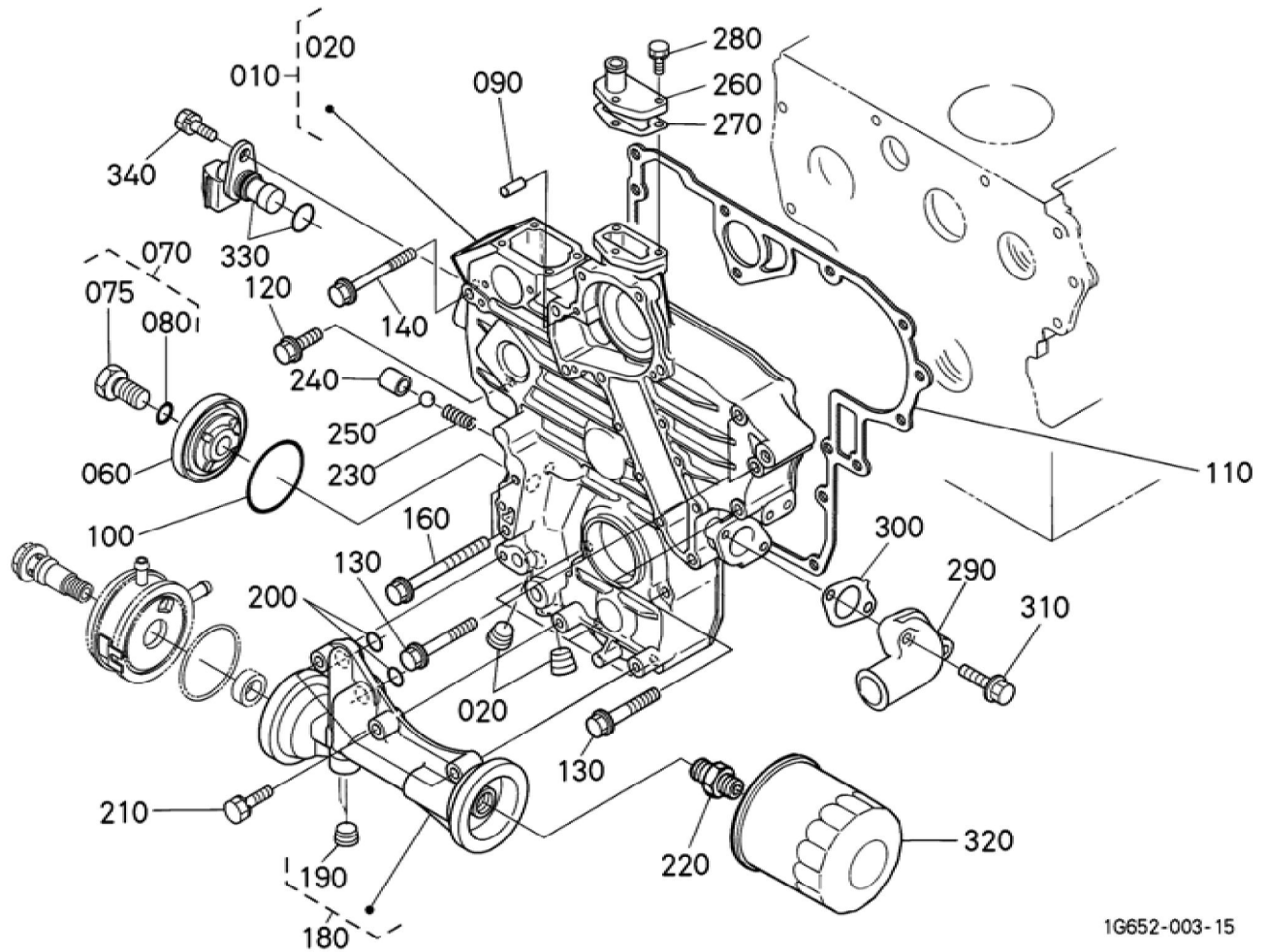
BKIDA5120 >> KX101-3ALPHA4 >> MOTOR / ENGINE >> 000300 ZYLINDERKOPF / CYLINDER HEAD

Update Date : 2020/02/20 Print Date : 2022/02/13

No.	Part Number	Part Name (POL)	Part Name (ENG)	QTY	IC	Serial No./PIN	Kg	Remarks
160	1G750-03632	ZYLINDERKOPFDICHTUNG	GASKET,CYL. HEAD	1			0.255	1.35mm
170	1G790-87210	AUFKLEBER	LABEL,PUMP	1			0.001	



Update Date : 2020/02/20 Print Date : 2022/02/13





**Download the full PDF manual instantly.**

**Our customer service e-mail:**

**[aservicemanualpdf@yahoo.com](mailto:aservicemanualpdf@yahoo.com)**