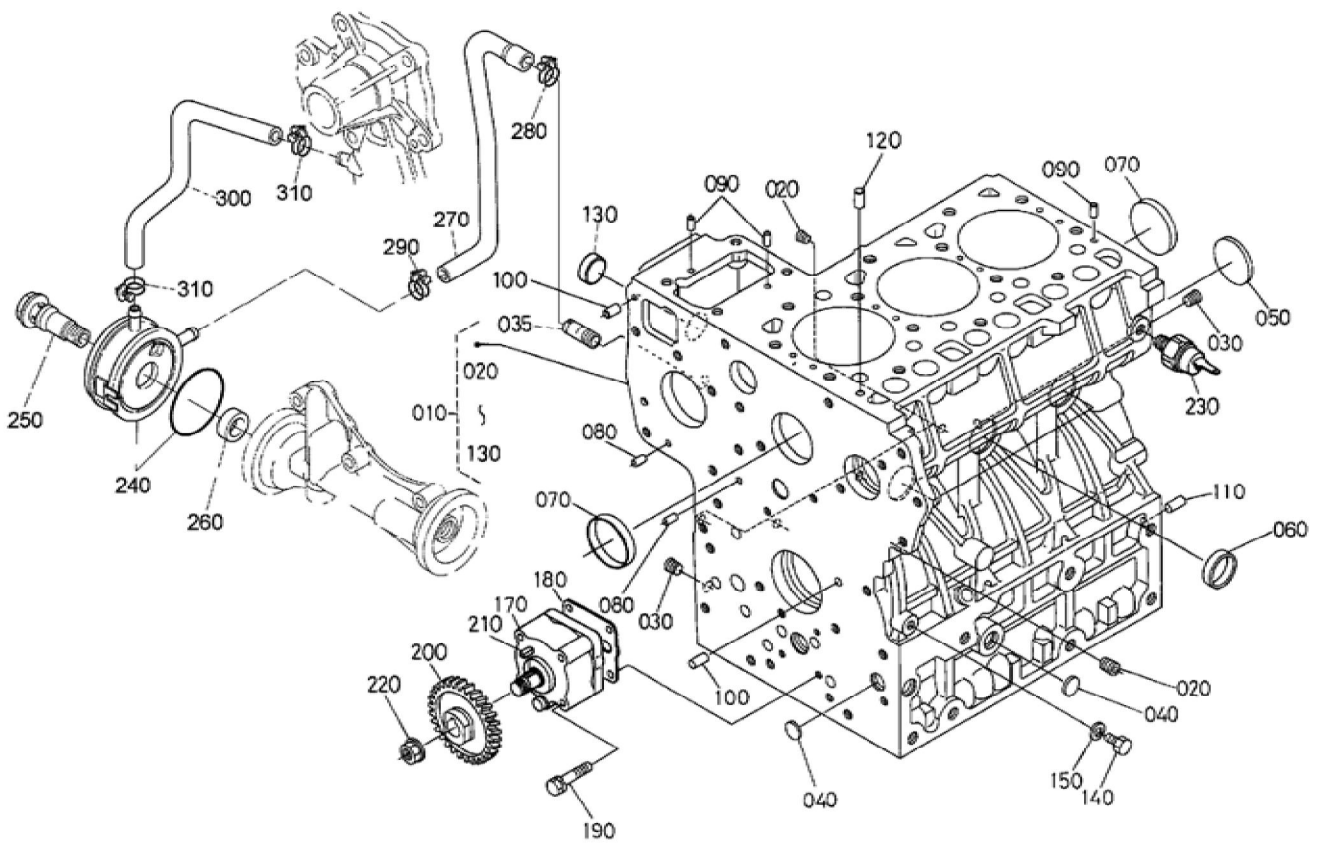


Update Date : 2020/02/20 Print Date : 2022/02/13

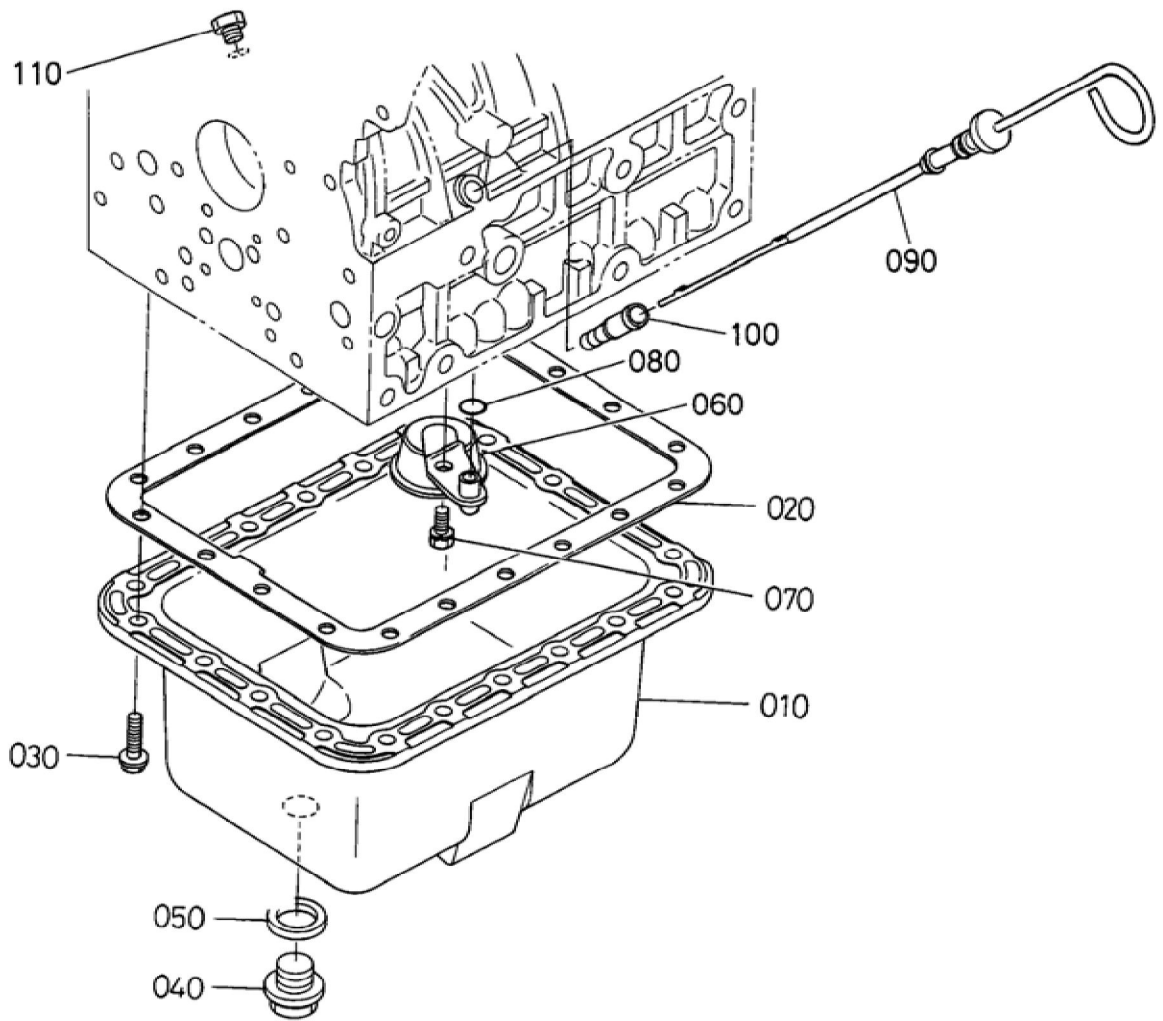


Update Date : 2020/02/20 Print Date : 2022/02/13

No.	Part Number	Part Name (POL)	Part Name (ENG)	QTY	IC	Serial No./PIN	Kg	Remarks
010	1G732-01010	KOMP.KURBELGEHAEUSE	COMP. CRANKCASE	1			0.000	
010	1A200-01010	KOMP.KURBELGEHAEUSE	COMP. CRANKCASE	1	=		0.000	
020	15521-96020	STOPFEN	PLUG	5			0.003	
030	15521-96030	STOPFEN	PLUG	2			0.007	
035	15321-73340	WASSERROHR	PIPE(WATER RETURN)	1			0.016	
040	17391-96160	STOPFEN	PLUG,CONCAVE	3			0.003	
050	16271-96160	STOPFEN	PLUG,CONCAVE	1			0.025	
060	15221-03380	STOPFEN	CAP,SEALING	5			0.017	
070	15221-03390	STOPFEN	CAP,SEALING	2			0.030	
080	05012-00408	ZYLINDERSTIFT	PIN,STRAIGHT	2			0.001	
090	05012-00609	ZYLINDERSTIFT	PIN,STRAIGHT	3			0.003	
100	05012-00612	ZYLINDERSTIFT	PIN, STRAIGHT	2			0.003	
110	05012-01018	ZYLINDERSTIFT	PIN,STRAIGHT	2			0.012	
120	15221-33650	ROHRSTIFT	PIN PIPE	1			0.004	
130	16851-96270	KAPPE	CAP,SEALING	1			0.005	
140	15469-33610	STOPFEN	PLUG	1			0.008	
150	15021-33660	DICHTUNGSPLATTE	GASKET	1			0.001	
170	15471-35012	GRP.OELPUMPE	ASSY PUMP OIL	1			0.550	
180	1A021-35150	DICHTUNGSPLATTE	GASKET OIL PUMP	1			0.001	
190	01023-60650	BOLZEN	BOLT(WITH WASHER)	4			0.015	
200	19202-35660	ZAHNRAD	GEAR OIL PUMP DRIVE	1			0.230	
210	05712-00410	KEIL	KEY,FEATHER	1			0.001	

Update Date : 2020/02/20 Print Date : 2022/02/13

No.	Part Number	Part Name (POL)	Part Name (ENG)	QTY	IC	Serial No./PIN	Kg	Remarks
220	15221-35682	MUTTER	NUT	1			0.014	
230	1A024-39010	OELDRUCKS CHALTER	SWITCH(OIL)	1			0.035	
230	T1850-39010	OELDRUCKS CHALTER	SWITCH,OIL	1	>>		0.040	
240	1G922-37010	GRP.OELKUE HLER	ASSY COOLER,OIL	1			0.725	
250	1G922-37080	ANSCHLUSS	CONNECTOR	1			0.150	
260	1G730-37090	HUELSE	COLLAR	1			0.020	
270	1G922-37150	SCHLAUCH	HOSE,OIL COOLER	1			0.050	
280	09318-88180	SCHLAUCHBI NDER	BAND,HOSE	1			0.010	
290	16241-73360	SCHLAUCHBI NDER	BAND(PIPE)	1			0.003	
300	1G922-37160	SCHLAUCH	HOSE,OIL COOLER	1			0.050	
310	16241-73360	SCHLAUCHBI NDER	BAND(PIPE)	2			0.003	



Update Date : 2020/02/20 Print Date : 2022/02/13

No.	Part Number	Part Name (POL)	Part Name (ENG)	QTY	IC	Serial No./PIN	Kg	Remarks
010	1A053-01500	KOMP.OELWANNE	COMP. OIL PAN	1			1.925	
020	1G841-01620	DICHTUNG	GASKET OIL PAN	1			0.045	
030	17333-91013	SCHRAUBE	BOLT FLANGE	20			0.030	
040	15707-33750	ENTLEERUNGSSTOPFEN	PLUG DRAIN	1			0.095	
050	15451-96670	DICHTUNG	GASKET	1			0.003	
060	1G850-32110	OELFILTER	FILTER OIL	1			0.255	
070	01123-60814	BOLZEN	BOLT	1			0.010	
080	04814-00160	O RING	O-RING	1			0.001	
090	1A053-36413	OELMESSSTAB	GAUGE OIL	1			0.045	
100	17456-36420	FUEHRUNG, OELMESSSTAB	GUIDE OIL GAUGE	1			0.030	
110	1G513-36550	STOPFEN, OELMESSSTAB	PLUG OIL GAUGE	1			0.004	



Download the full PDF manual instantly.

Our customer service e-mail:

aservicemanualpdf@yahoo.com