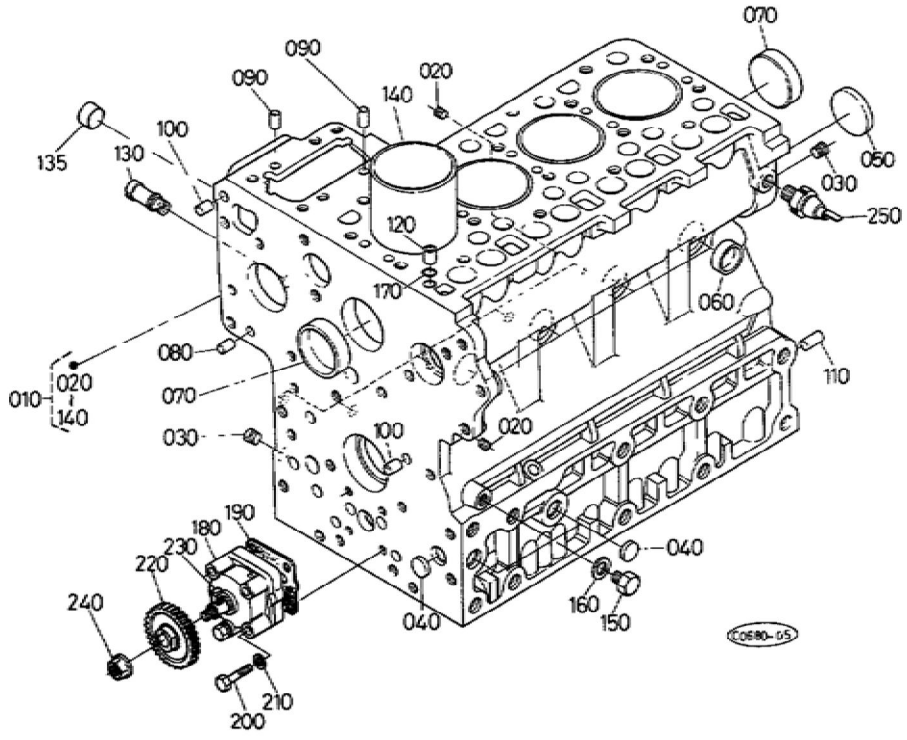


Update Date : 23-01-2020 Print Date : 12-02-2022



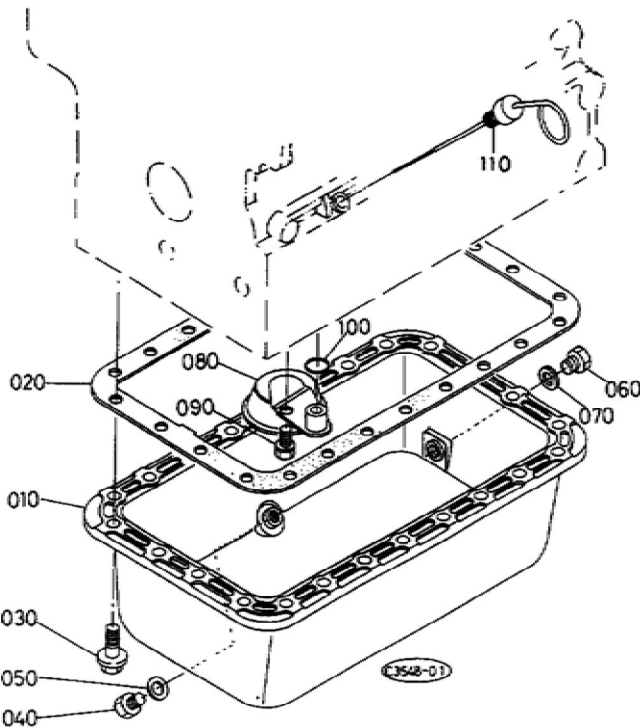
Update Date : 23-01-2020 Print Date : 12-02-2022

No.	Part Number	Part Name (POL)	Part Name (ENG)	QTY	IC	Serial No./PIN	Kg	Remarks
010	16342-01010	KOMP.KURBELGEHAEUSE	COMP.CRANKCASE	1		15762	0.000	
010	16342-01013	KOMP.KURBELGEHAEUSE	COMP.CRANKCASE	1	>>	15763	61.000	
020	15521-96020	STOPFEN	PLUG	6			0.003	
030	15521-96030	STOPFEN	PLUG	2			0.007	
040	06311-75018	STOPFEN	PLUG	3		14673	0.004	
040	17391-96160	STOPFEN	PLUG	3	>>	14674	0.003	
050	06311-75045	STOPFEN	PLUG	1			0.026	
060	15221-03380	STOPFEN	CAP SEALING	6			0.017	
070	15221-03390	STOPFEN	CAP SEALING	2			0.030	
080	05012-00408	ZYLINDERSTIFT	PIN STRAIGHT	2			0.001	
090	05012-00609	ZYLINDERSTIFT	PIN STRAIGHT	2			0.003	
100	05012-00612	ZYLINDERSTIFT	PIN STRAIGHT	2			0.003	
110	05012-01018	ZYLINDERSTIFT	PIN STRAIGHT	1			0.012	
120	15221-33650	ROHRSTIFT	PIN PIPE	1			0.004	
130	15321-73340	WASSERROHR	PIPE WATER RETURN	1			0.016	
135	06311-85020	KAPPE	CAP SEALING	1		15763	0.002	
140	15521-02310	ZYLINDERLAUFBUCHSE	LINER CYLINDER	4			0.660	
150	15221-33610	STOPFEN	PLUG	1			0.009	
160	15021-33660	DICHTUNGSPLATTE	GASKET	1			0.001	
170	15221-33700	O RING	O RING	1			0.001	
180	15471-35010	GRP.OELPUMPE	ASSY PUMP OIL	1			0.000	
190	15221-35150	DICHTUNG,OELPUMPE	GASKET OIL PUMP	1			0.000	
200	01053-50650	BOLZEN	BOLT	4			0.011	
210	04512-50060	FEDERRING	WASHER SPRING	4			0.001	
220	19202-35660	ZAHNRAD	GEAR OIL PUMP DRIVE	1			0.230	

Update Date : 23-01-2020 Print Date : 12-02-2022

No.	Part Number	Part Name (POL)	Part Name (ENG)	QTY	IC	Serial No./PIN	Kg	Remarks
230	05712-00410	KEIL	KEY FEATHER	1			0.001	
240	15221-35682	MUTTER	NUT FLANGE	1			0.014	
250	15531-39010	OELDRUCKS CHALTER	SWITCH OIL	1			0.032	

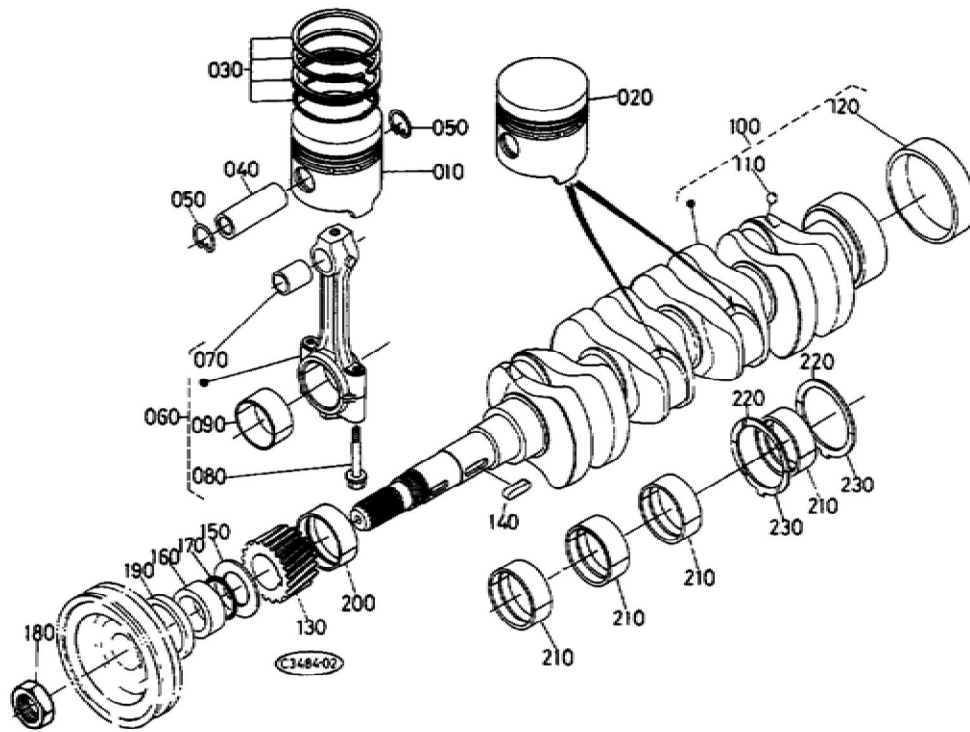
Update Date : 23-01-2020 Print Date : 12-02-2022



Update Date : 23-01-2020 Print Date : 12-02-2022

No.	Part Number	Part Name (POL)	Part Name (ENG)	QTY	IC	Serial No./PIN	Kg	Remarks
010	15434-01610	OELWANNE	OIL PAN	1			0.000	
020	15469-01620	DICHTUNG	GASKET OIL PAN	1			0.000	
030	17333-91010	SCHRAUBE	BOLT FLANGE	24			0.030	
040	15221-33750	STOPFEN	PLUG	1			0.032	
050	15109-33660	DICHTUNGSP LATTE	GASKET	1			0.001	
060	06331-45016	STOPFEN	PLUG	1			0.050	
070	04724-00160	DICHTUNGSP LATTE	GASKET	1			0.003	
080	15628-32110	OELFILTER	FILTER OIL	1			0.225	
090	01123-50816	SCHRAUBE	BOLT	1			0.011	
100	04814-00160	O RING	O RING	1			0.001	
110	15435-36410	OELMESSST AB	GAUGE OIL	1		15156	0.000	
110	15435-36412	OELMESSST AB	GAUGE OIL	1	>>	15157	0.000	

Update Date : 23-01-2020 Print Date : 12-02-2022



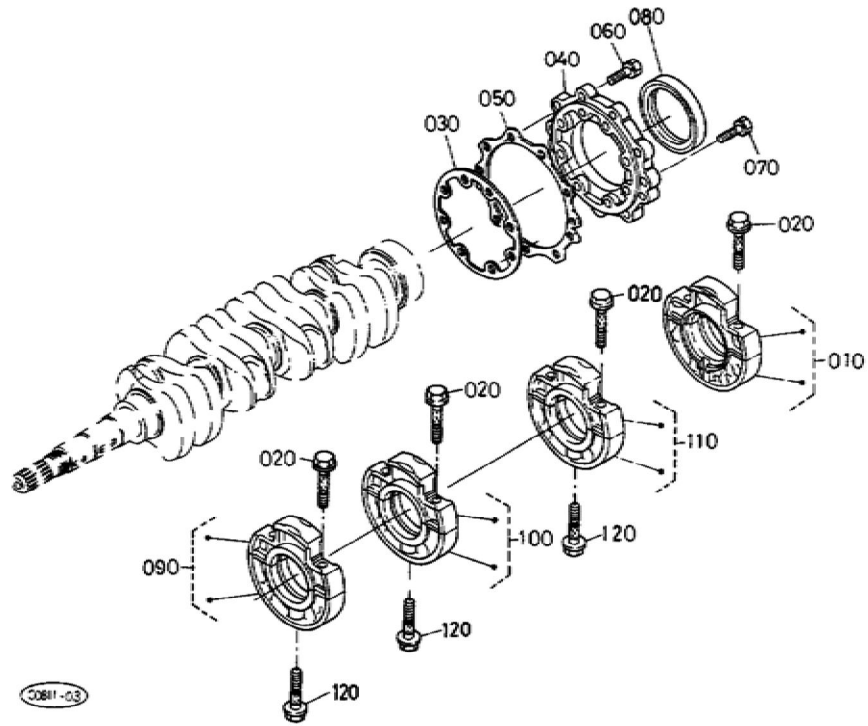
Update Date : 23-01-2020 Print Date : 12-02-2022

No.	Part Number	Part Name (POL)	Part Name (ENG)	QTY	IC	Serial No./PIN	Kg	Remarks
010	19274-21110	KOLBEN	PISTON	2			0.560	STD
010	19274-21910	KOLBEN	PISTON	2			0.570	+0.5MM
020	19439-21110	KOLBEN	PISTON	2			0.560	STD
020	19439-21910	KOLBEN	PISTON	2			0.540	+0.5MM
030	19274-21050	GRP.KOLBEN RING	ASSY PISTON RING	4			0.060	STD
030	19274-21092	GRP.KOLBEN RING	ASSY PISTON RING	4			0.060	+0.5MM
040	15521-21310	KOLBENBOLZEN	PIN PISTON	4			0.156	
050	15221-21330	SEEGERING	CIR CLIP PISTON PIN	8			0.002	
060	15471-22012	GRP.PLEUEL STANGE	ASSY CONNECTING ROD	4			0.760	
070	15221-21982	BUCHSE,KOLBENSTIFT	BUSH PISTON PIN	4			0.024	
080	15521-22142	BOLZEN	BOLT CONNECTING ROD	8			0.026	
090	15471-22310	LAGERSCHAULE	METAL CRANKPIN	4			0.030	SET STD
090	15471-22970	LAGERSCHAULE	METAL CRANKPIN	4			0.040	SET -0.2MM
090	15471-22980	LAGERSCHAULE	METAL CRANKPIN	4			0.040	SET -0.4MM
100	19202-23010	KOMP.KURBELWELLE	COMP.CRANKSHAFT	1			16.400	
110	07715-00401	KUGEL	BALL	4			0.001	
120	19202-23280	BUCHSE,KURBELWELLE	SLEEVE CRANKSHAFT	1			0.095	
130	15469-24112	ZAHNRAD	GEAR CRANKSHAFT	1			0.100	
140	05712-00720	KEIL	KEY FEATHER	1			0.008	
150	15471-23312	RING	SLINGER OIL	1			0.008	
160	19202-23250	HALSRING	COLLAR CRANKSHAFT	1			0.065	
170	19202-96760	O RING	O RING	1			0.001	

Update Date : 23-01-2020 Print Date : 12-02-2022

No.	Part Number	Part Name (POL)	Part Name (ENG)	QTY	IC	Serial No./PIN	Kg	Remarks
180	15221-23360	MUTTER,KURBELWELLE	NUT CRANKSHAFT	1			0.110	
190	19202-04140	OELDICHTUNGSRING	SEAL OIL	1			0.015	
200	17311-23470	LAGERSCHALE	METAL CRANKSHAFT	1			0.060	SET STD
200	17331-23910	LAGERSCHALE	METAL CRANKSHAFT	1			0.000	SET -0.2MM
200	17331-23920	LAGERSCHALE	METAL CRANKSHAFT	1			0.000	SET -0.4MM
210	17311-23480	LAGERSCHALE	METAL CRANKSHAFT	4			0.045	SET STD
210	17331-23930	LAGERSCHALE	METAL CRANKSHAFT	4			0.000	SET -0.2MM
210	17331-23940	LAGERSCHALE	METAL CRANKSHAFT	4			0.000	SET -0.4MM
220	15521-23530	LAGERSCHALE	METAL SIDE	2			0.010	STD
220	15521-23950	LAGERSCHALE	METAL SIDE	2			0.010	+0.2MM
220	15521-23960	LAGERSCHALE	METAL SIDE	2			0.010	+0.4MM
230	19202-23540	LAGERSCHALE	METAL SIDE	2			0.010	STD
230	19202-23970	LAGERSCHALE	METAL SIDE	2			0.010	+0.2MM
230	19202-23980	LAGERSCHALE	METAL SIDE	2			0.010	+0.4MM

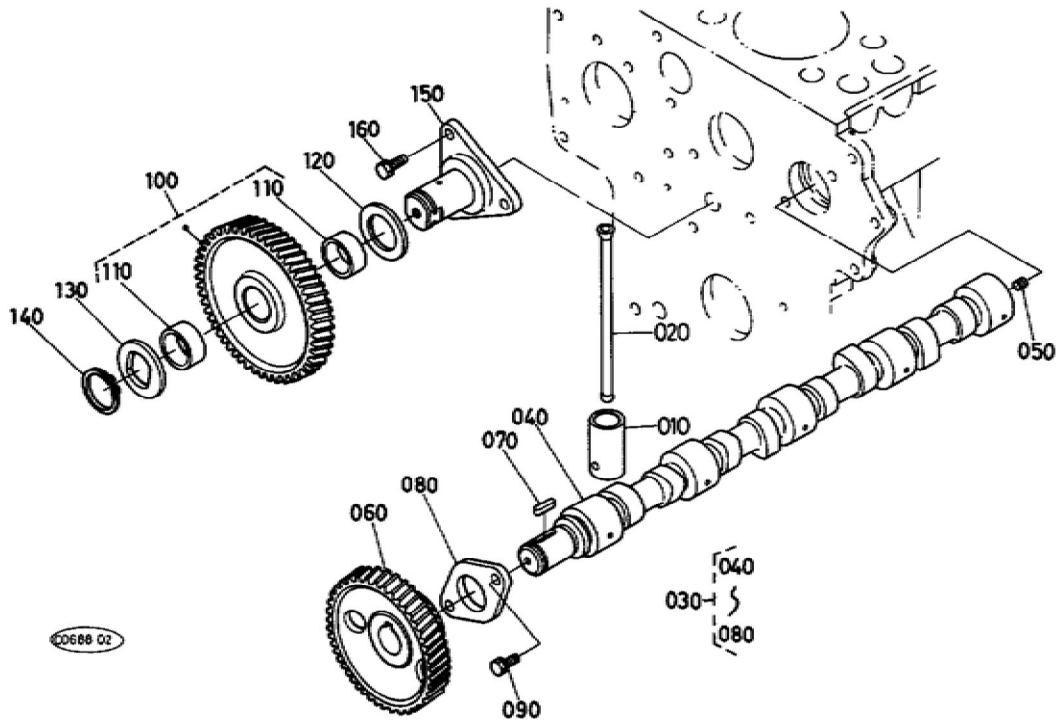
Update Date : 23-01-2020 Print Date : 12-02-2022



Update Date : 23-01-2020 Print Date : 12-02-2022

No.	Part Number	Part Name (POL)	Part Name (ENG)	QTY	IC	Serial No./PIN	Kg	Remarks
010	19202-04040	GRP.LAGERG EHAEUSE	ASSY CASE MAIN BRG.	1			1.280	
020	15601-04540	BOLZEN, LAGERKASTE N	BOLT BEARING CASE	8			0.034	
030	15221-04360	DICHTUNG, LAGER	GASKET	1		15856	0.000	
030	19202-04360	DICHTUNG, LAGER	GASKET	1	=	15857	0.000	
040	19202-04810	DECKEL, LAGERKASTE N	COVER BEARING CASE	1			0.360	
050	15201-04820	DICHTUNG	GASKET BRG.CASE COV.	1			0.000	
060	01123-50825	BOLZEN	BOLT	8			0.013	
070	01123-50828	BOLZEN	BOLT	8			0.014	
080	19202-04460	OELDICHTUN GSRING	SEAL OIL	1			0.055	
090	15521-04055	GRP.LAGERG EHAEUSE	ASSY CASE MAIN BRG.	1			1.200	
100	15521-04065	GRP.LAGERG EHAEUSE	ASSY CASE MAIN BRG.	1			1.225	
110	15411-04070	GRP.LAGERG EHAEUSE	ASSY CASE MAIN BRG.	1			1.250	
120	15601-04560	BOLZEN, LAGERKASTE N	BOLT BEARING CASE	3			0.060	

Update Date : 23-01-2020 Print Date : 12-02-2022





Download the full PDF manual instantly.

Our customer service e-mail:

aservicemanualpdf@yahoo.com