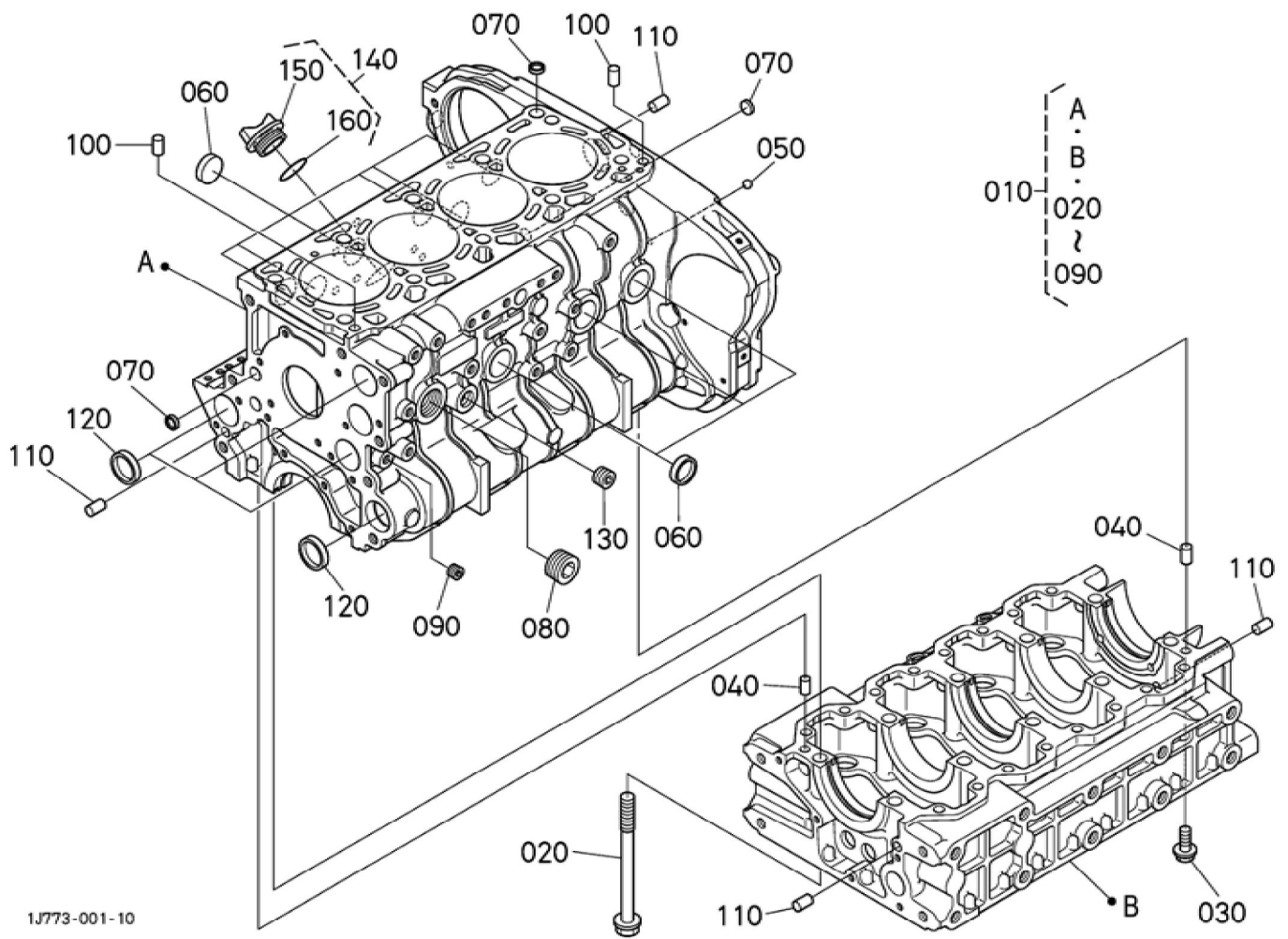


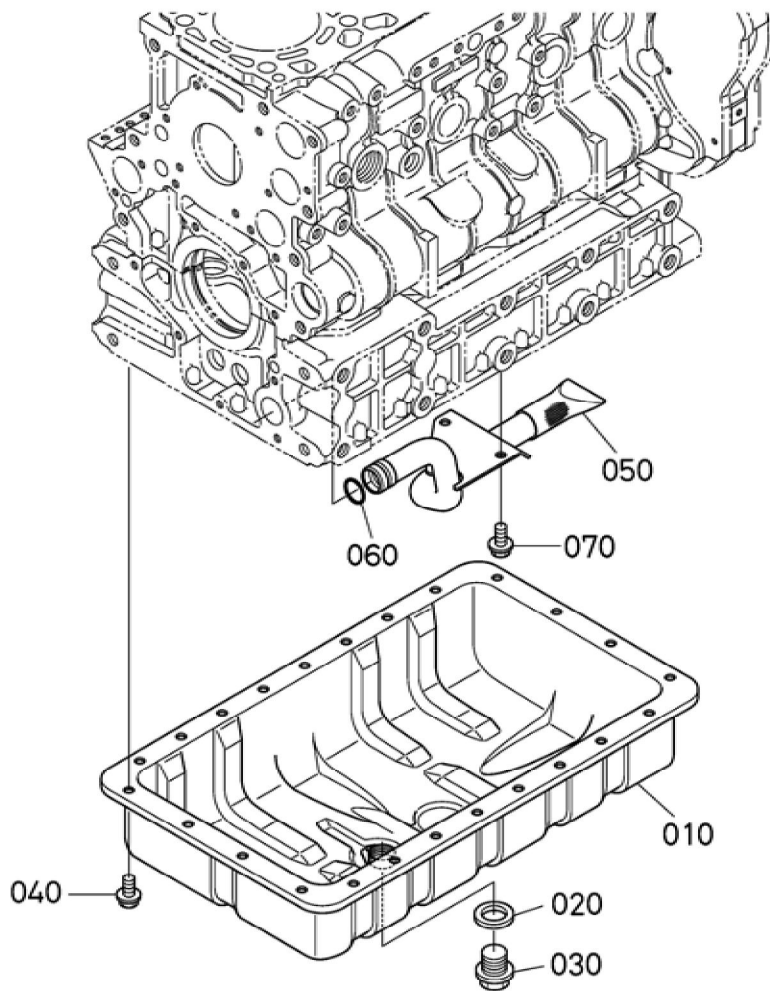
Update Date : 02-04-2020 Print Date : 11-02-2022



Update Date : 02-04-2020 Print Date : 11-02-2022

No.	Part Number	Part Name (POL)	Part Name (ENG)	QTY	IC	Serial No./PIN	Kg	Remarks
010	1J775-01020	GRP. KURBELGEH AEUSE	CRANKCASE	1			88.000	
020	1G772-03450	BOLZEN	BOLT	10			0.175	
030	1G772-91022	SCHRAUBE	BOLT,FLANG E	16			0.035	
040	05012-01016	ZYLINDERSTI FT	PIN STRAIGHT	2			0.010	
050	07715-03209	KUGEL	BALL	1			0.002	
060	15321-96260	KAPPE	CAP,SEALING	9			0.014	
070	06311-85016	STOEPSSEL,A BDICHTUNG	CAP,SEALING	3			0.003	
080	16683-96020	STOPFEN	PLUG	1			0.088	
090	16691-96022	STOPFEN	PLUG	1			0.002	
100	05012-01016	ZYLINDERSTI FT	PIN STRAIGHT	2			0.010	
110	1G772-94520	ZYLINDERSTI FT	PIN,STRAIGH T	4			0.010	
120	15221-03490	STOPFEN	CAP,SEALING	4			0.020	
130	1A021-96020	STOPFEN	PLUG	1			0.020	
140	1C010-33080	BLINDSTOPF EN	ASSY PLUG,O/FILL ER	1			0.018	
150	E9151-33140	OELEINFUEL LSTOPFEN	PLUG(OIL FILLER)	1			0.017	
160	04817-50300	O RING	O RING	1			0.001	

Update Date : 02-04-2020 Print Date : 11-02-2022

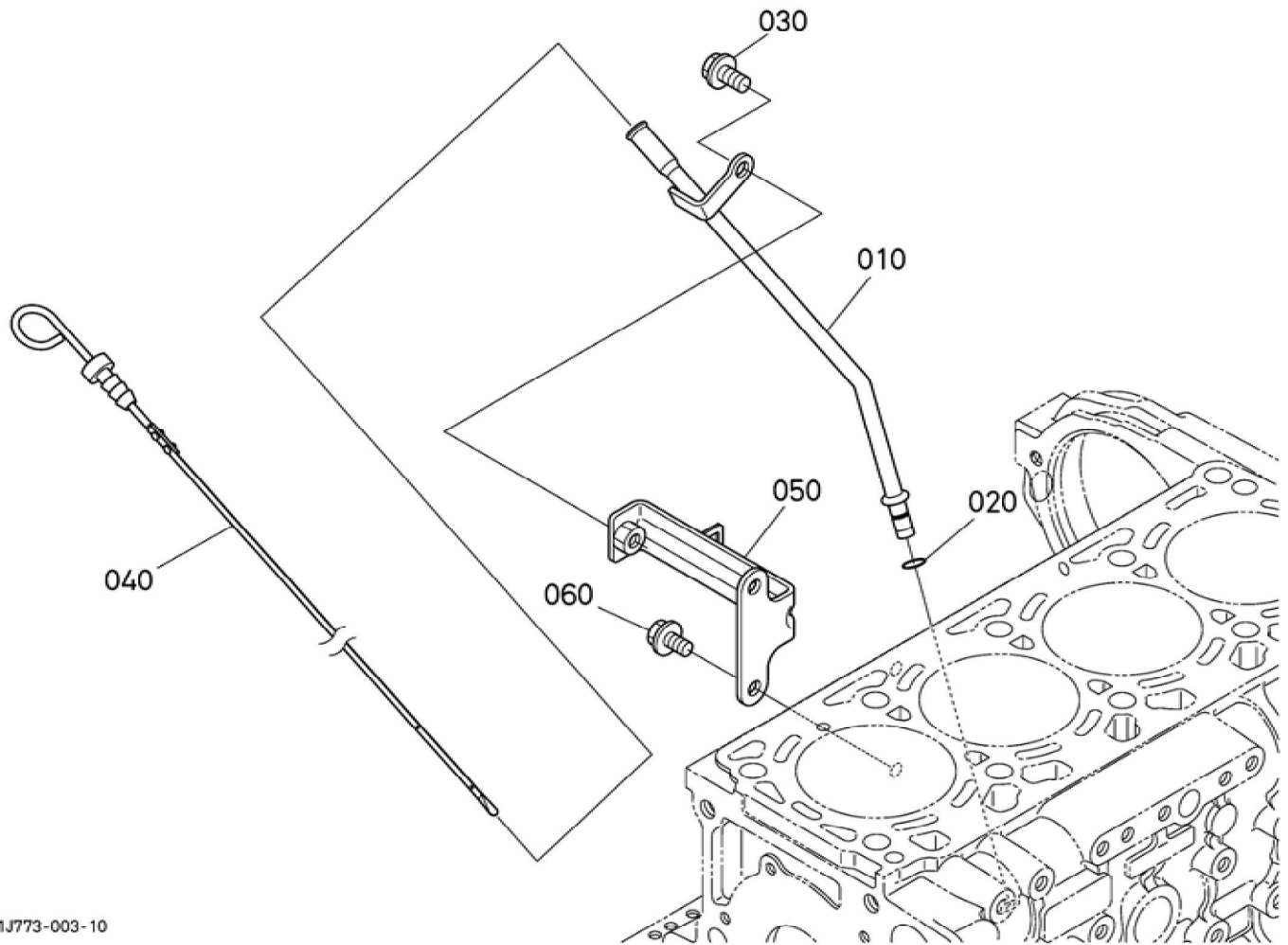


BKIDK5032 >> KX080-4 (S/N 30001-36690) >> MOTOR / ENGINE >> 501000 OL-FANGER / OIL PAN

Update Date : 02-04-2020 Print Date : 11-02-2022

No.	Part Number	Part Name (POL)	Part Name (ENG)	QTY	IC	Serial No./PIN	Kg	Remarks
010	1J750-01500	KOMP.OELW ANNE	COMP.OIL PAN	1			3.770	
020	16265-96670	DICHTUNG	PACKING	1			0.010	
030	15707-33750	ENTLEERUN GSSTOPFEN	PLUG(DRAIN)	1			0.095	
040	01755-50816	SCHRAUBE	BOLT,FLANG E	24			0.013	
050	1G777-32112	OELFILTER	FILTER,OIL	1			0.400	
060	04815-00200	O RING	O RING	1			0.003	
070	01755-50816	SCHRAUBE	BOLT,FLANG E	2			0.013	

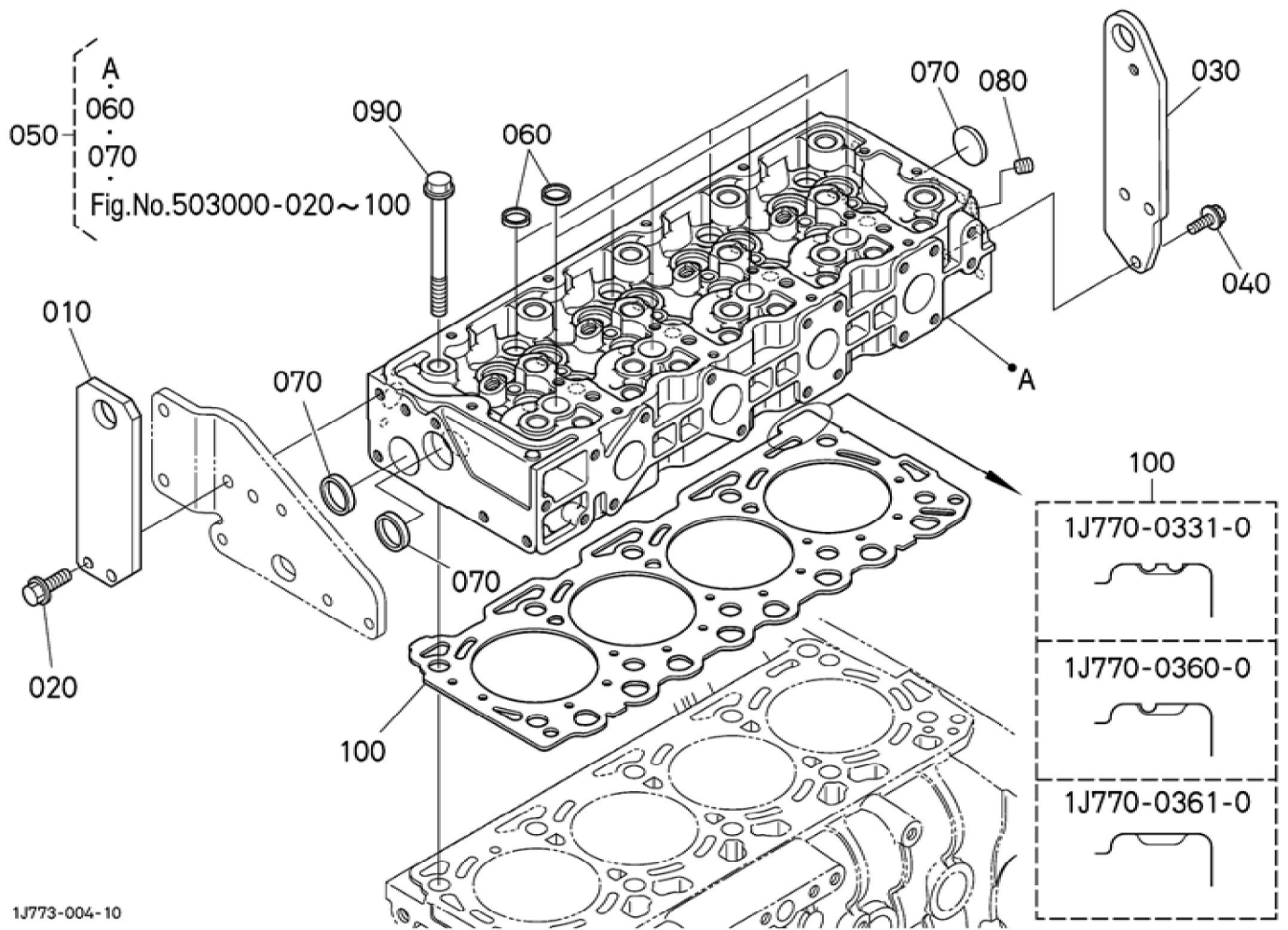
Update Date : 02-04-2020 Print Date : 11-02-2022



Update Date : 02-04-2020 Print Date : 11-02-2022

No.	Part Number	Part Name (POL)	Part Name (ENG)	QTY	IC	Serial No./PIN	Kg	Remarks
010	1J750-36420	OELSTABFUEHRUNG	GUIDE,OIL GAUGE	1			0.105	
020	04814-00090	O RING	O RING	1			0.001	
030	01754-50816	SCHRAUBE	BOLT,FLANGE	1			0.011	
040	1J750-36410	OELMESSSTAB	GAUGE,OIL	1			0.035	
050	1J773-36450	HALTER	BRACKET	1			0.155	
060	01754-50812	SCHRAUBE	BOLT,FLANGE	2			0.008	

Update Date : 02-04-2020 Print Date : 11-02-2022

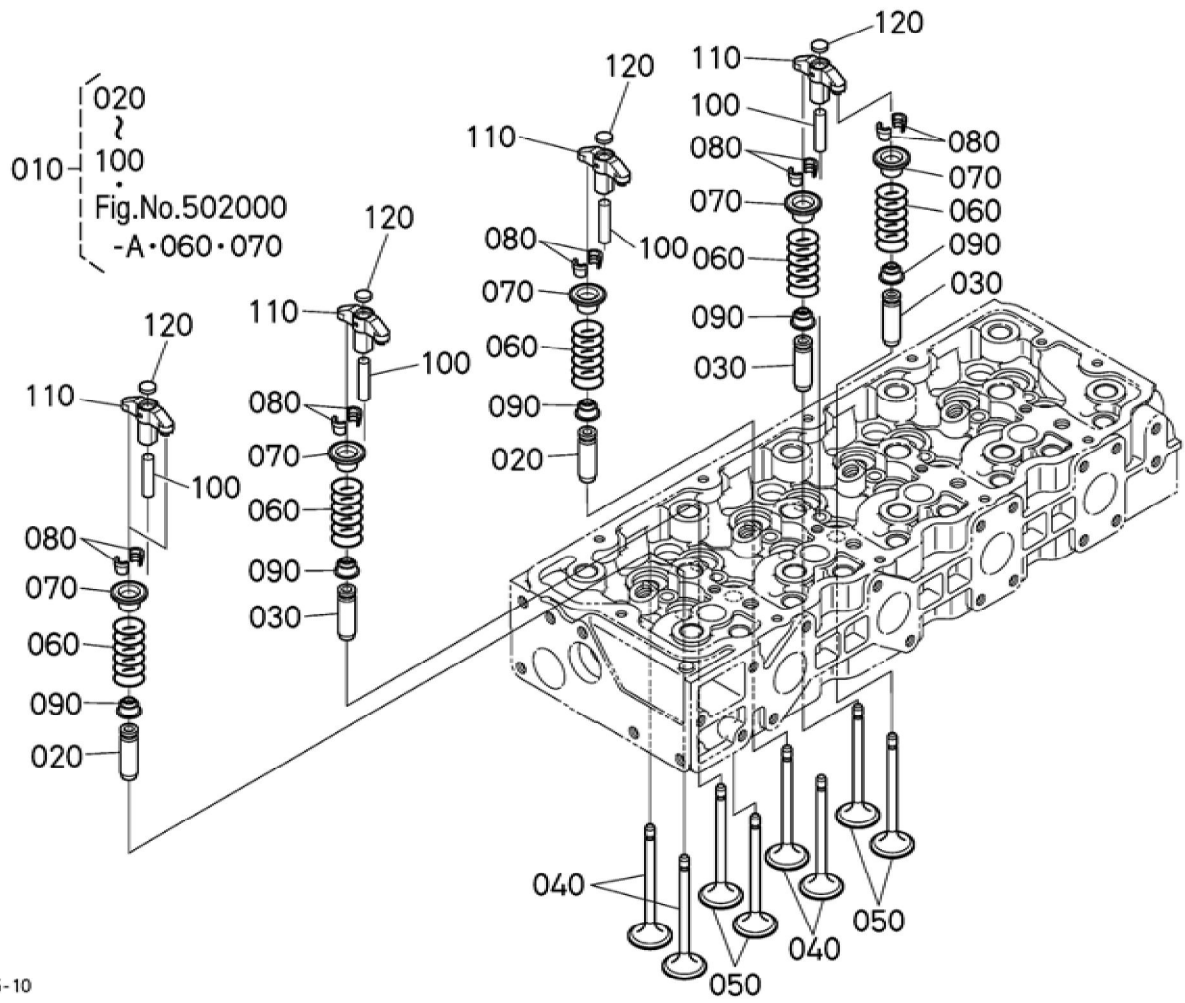


Update Date : 02-04-2020 Print Date : 11-02-2022

No.	Part Number	Part Name (POL)	Part Name (ENG)	QTY	IC	Serial No./PIN	Kg	Remarks
010	1J770-01740	MOTORAUFGH AENGUNG	HOOK (ENGINE)	1			0.640	
020	01754-50830	SCHRAUBE	BOLT,FLANG E	2			0.016	
030	1J770-01750	MOTORAUFGH AENGUNG	HOOK,ENGIN E	1			0.820	
040	01754-50820	SCHRAUBE	BOLT,FLANG E	3			0.015	
050	1J770-03030	ZYLINDERKO PF,KOMP.	HEAD,CYLIN DER,SUB-AS	1			25.450	
060	16851-96270	KAPPE	CAP,SEALING	8			0.005	
070	15321-96260	KAPPE	CAP,SEALING	3			0.014	
080	15521-96020	STOPFEN	PLUG	1			0.003	
090	1G772-03450	BOLZEN	BOLT	10			0.175	
100	1J770-03310	ZYLINDERKO PFDICHTUNG	GASKET (CYL.HEAD)	1			0.185	STD/2 KERBEN
100	1J770-03600	ZYLINDERKO PFDICHTUNG	GASKET (CYL.HEAD)	1			0.210	VERWENDUN G / 1 KERBE
100	1J770-03610	ZYLINDERKO PFDICHTUNG	GASKET (CYL.HEAD)	1			0.240	VERWENDUN G / KEINE KERBE



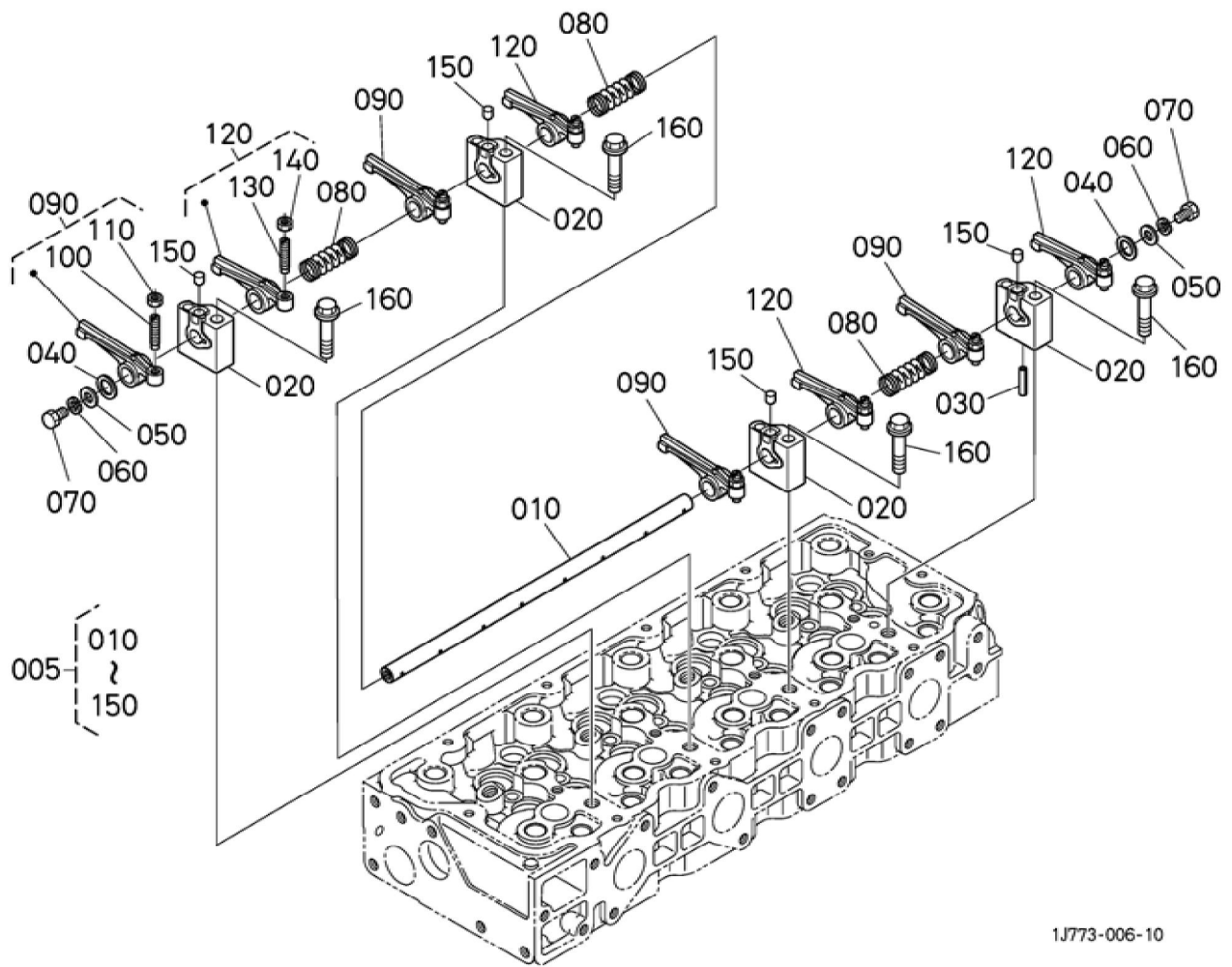
Update Date : 02-04-2020 Print Date : 11-02-2022



Update Date : 02-04-2020 Print Date : 11-02-2022

No.	Part Number	Part Name (POL)	Part Name (ENG)	QTY	IC	Serial No./PIN	Kg	Remarks
010	1J770-03030	ZYLINDERKOPF, KOMP.	HEAD, CYLINDER, SUB-AS	1			25.450	
020	16261-13540	EINLASSVENTILFUEHRUNG	GUIDE, INLET VALVE	8			0.020	
030	16261-13560	AUSLASSVENTILFUEHRUNG	GUIDE, EXHAUST VALVE	8			0.019	
040	1G772-13112	EINLASSVENTIL	VALVE, INLET	8			0.055	
050	1G772-13122	AUSLASSVENTIL	VALVE, EXHAUST	8			0.050	
060	1C010-13240	VENTILFEDER	SPRING, VALVE	16			0.020	
070	16261-13330	HALTER, VENTILFEDER	RETAINER, VALVE SP.	16			0.015	
080	15261-13980	KLEMMSCHEIBE	COLLET, VALVE SPRING	16			0.002	SET
090	1C010-13150	VENTILDICHTUNG	SEAL, VALVE STEM	16			0.002	
100	1C010-13482	VENTILFUEHRUNG	SHAFT, VALVE BURIGE	8			0.020	
110	1G772-13460	HUBARM, VENTIL	ARM, VALVE BURIG.	8			0.050	
120	1J700-13492	PUFFER	PAD	8			0.003	

Update Date : 02-04-2020 Print Date : 11-02-2022





**Download the full PDF manual instantly.**

**Our customer service e-mail:**

**[aservicemanualpdf@yahoo.com](mailto:aservicemanualpdf@yahoo.com)**