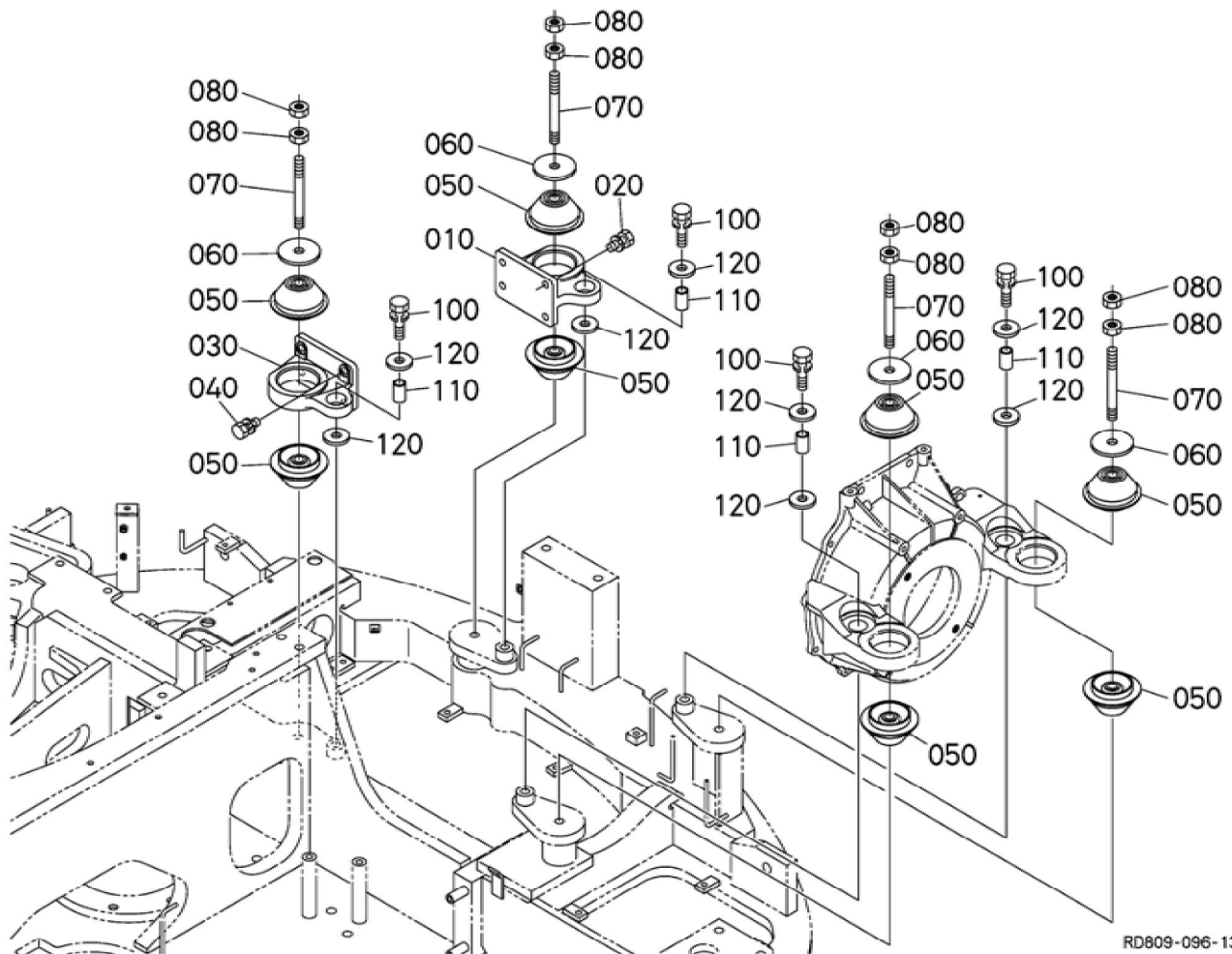


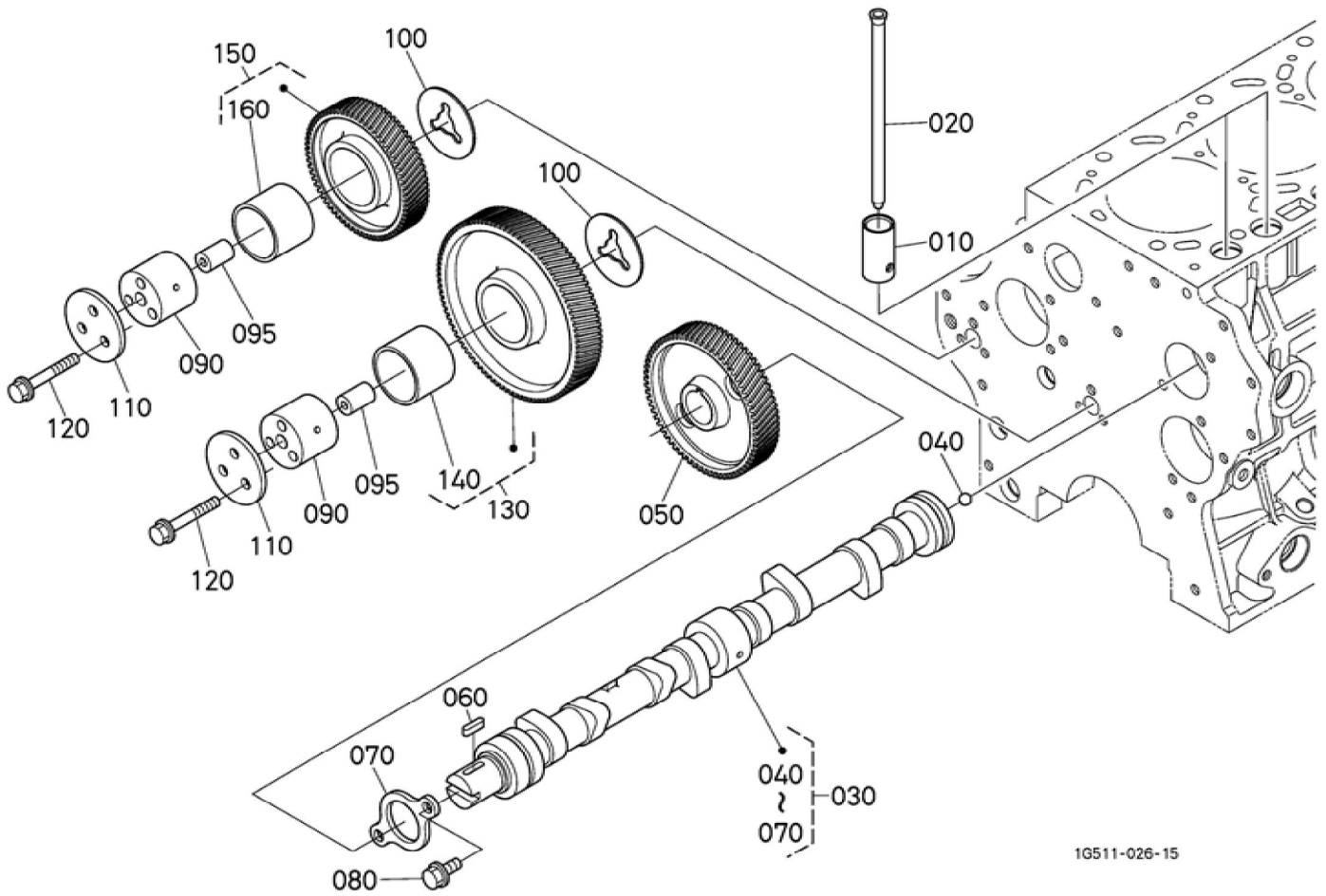
Update Date : 06-02-2020 Print Date : 10-02-2022



Update Date : 06-02-2020 Print Date : 10-02-2022

| No. | Part Number | Part Name (POL) | Part Name (ENG) | QTY | IC | Serial No./PIN | Kg    | Remarks |
|-----|-------------|-----------------|-----------------|-----|----|----------------|-------|---------|
| 010 | RD809-42110 | TRAEGER,MOTOR   | BRACKET ENGINE  | 1   |    |                | 3.270 |         |
| 020 | 01133-61230 | BOLZEN          | BOLT            | 4   |    |                | 0.040 |         |
| 030 | RD809-42120 | TRAEGER,MOTOR   | BRACKET ENGINE  | 1   |    |                | 3.270 |         |
| 040 | 01133-61230 | BOLZEN          | BOLT            | 4   |    |                | 0.040 |         |
| 050 | RD809-42140 | GUMMIPUFFER     | CUSHION RUBBER  | 8   |    |                | 0.430 |         |
| 060 | RD809-42190 | SCHEIBE         | WASHER          | 4   |    |                | 0.190 |         |
| 070 | RD809-42170 | STEBOLZEN       | STUD            | 4   |    |                | 0.210 |         |
| 080 | 02054-50160 | MUTTER          | NUT             | 8   |    |                | 0.030 |         |
| 100 | 01133-61665 | BOLZEN          | BOLT            | 4   |    |                | 0.125 |         |
| 110 | RD809-42180 | HUELSE          | COLLAR          | 4   |    |                | 0.050 |         |
| 120 | RD809-42160 | SCHEIBE         | WASHER          | 8   |    |                | 0.070 |         |

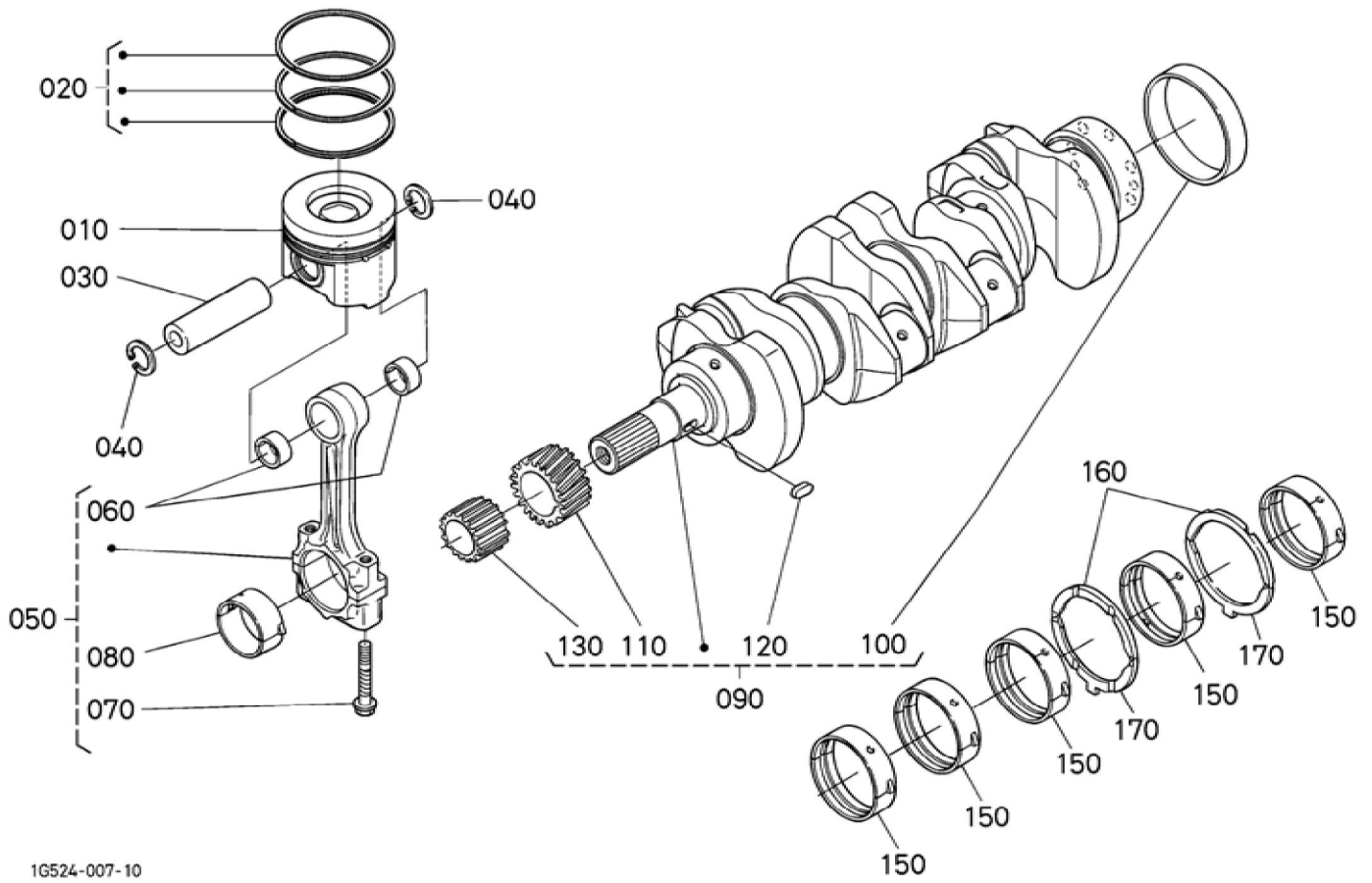
Update Date : 06-02-2020 Print Date : 10-02-2022



Update Date : 06-02-2020 Print Date : 10-02-2022

| No. | Part Number | Part Name (POL)         | Part Name (ENG)     | QTY | IC | Serial No./PIN | Kg    | Remarks |
|-----|-------------|-------------------------|---------------------|-----|----|----------------|-------|---------|
| 010 | 15601-15550 | STOESSEL                | TAPPET              | 8   |    |                | 0.080 |         |
| 020 | 1C010-15110 | STOESSELST<br>ANGE      | PUSH ROD            | 8   |    |                | 0.054 |         |
| 030 | 1C010-16012 | GRP.NOCKE<br>NWELLE     | ASSY<br>CAMSHAFT    | 1   |    |                | 4.100 |         |
| 040 | 07715-01605 | KUGEL                   | BALL                | 1   |    |                | 0.003 |         |
| 050 | 1C010-16512 | ZAHNRAD                 | GEAR CAM            | 1   |    |                | 1.000 |         |
| 060 | 05712-00520 | KEIL                    | KEY<br>FEATHER      | 1   |    |                | 0.004 |         |
| 070 | 1C010-16270 | STOPPER,NO<br>CKENWELLE | STOPPER<br>CAMSHAFT | 1   |    |                | 0.080 |         |
| 080 | 01754-50814 | SCHRAUBE                | BOLT<br>FLANGE      | 2   |    |                | 0.012 |         |
| 090 | 1C010-24250 | WELLE                   | SHAFT IDLE<br>GEAR  | 2   |    |                | 0.430 |         |
| 095 | 1C010-24520 | BOLZEN                  | PIN GEAR<br>IDLE    | 2   |    |                | 0.032 |         |
| 100 | 1C010-24360 | ABSTANDSST<br>UECK      | COLLAR IDLE<br>GEAR | 2   |    |                | 0.034 |         |
| 110 | 1C010-24370 | ABSTANDSST<br>UECK      | COLLAR IDLE<br>GEAR | 2   |    |                | 0.089 |         |
| 120 | 01754-50855 | SCHRAUBE                | BOLT<br>FLANGE      | 6   |    |                | 0.020 |         |
| 130 | 1C011-24010 | ZAHNRAD<br>KOMP.        | COMP.GEAR<br>IDLE   | 1   |    |                | 1.670 |         |
| 140 | 1C010-24982 | BUCHSE                  | BUSH IDLE<br>GEAR   | 1   |    |                | 0.060 |         |
| 150 | 1C011-24020 | ZAHNRAD<br>KOMP.        | COMP.GEAR<br>IDLE   | 1   |    |                | 0.920 |         |
| 160 | 1C010-24982 | BUCHSE                  | BUSH IDLE<br>GEAR   | 1   |    |                | 0.060 |         |

Update Date : 06-02-2020 Print Date : 10-02-2022



1G524-007-10



**Download the full PDF manual instantly.**

**Our customer service e-mail:**

**[aservicemanualpdf@yahoo.com](mailto:aservicemanualpdf@yahoo.com)**