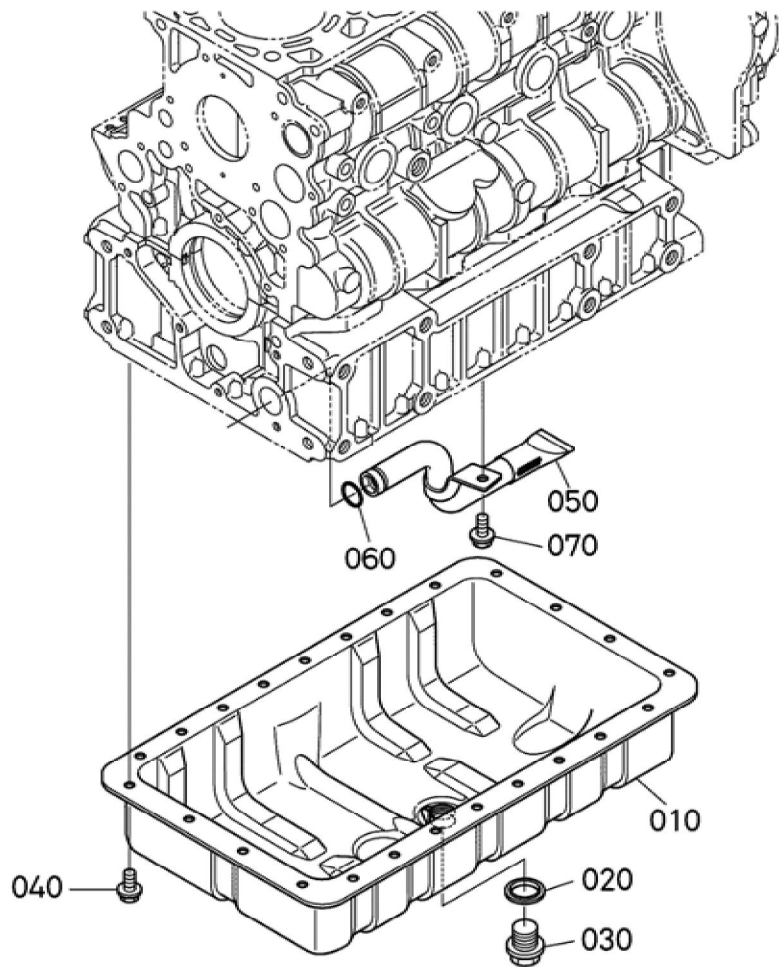


1J735-001-14

Update Date : 12-03-2020 Print Date : 10-02-2022

No.	Part Number	Part Name (POL)	Part Name (ENG)	QTY	IC	Serial No./PIN	Kg	Remarks
010	1J735-01020	GRP. KURBELGEH AEUSE	CRANKCASE	1			82.000	
020	1J700-04560	BOLZEN	BOLT,CRANK CASE	10			0.145	
030	01774-51035	SCHRAUBE	BOLT,FLANG E	16			0.030	
040	05012-01016	ZYLINDERSTI FT	PIN STRAIGHT	2			0.010	
050	06311-85025	STOEPSEL,A BDICHTUNG	CAP,SEALING	6			0.010	
060	15321-96260	KAPPE	CAP,SEALING	4			0.014	
070	15221-03490	STOPFEN	CAP,SEALING	1			0.020	
080	06311-85016	STOEPSEL,A BDICHTUNG	CAP,SEALING	2			0.003	
090	15521-96020	STOPFEN	PLUG	1			0.003	
100	1A021-96020	STOPFEN	PLUG	1			0.020	
110	05012-01016	ZYLINDERSTI FT	PIN STRAIGHT	2			0.010	
120	1G772-94520	ZYLINDERSTI FT	PIN,STRAIGH T	4			0.010	
130	1J770-59760	BUCHSE	BUSHING	1			0.030	
140	11233-91500	STEBOLZEN	STUD	1			0.004	
170	1J702-65330	HALTER	BRACKET (WH,10)	1			0.007	
180	01754-50610	SCHRAUBE	BOLT,FLANG E	1			0.006	
190	RP821-67383	STREBE	STAY,HARNE SS BOOM	1			0.008	
200	01754-50812	SCHRAUBE	BOLT,FLANG E	1			0.008	
210	15221-03490	STOPFEN	CAP,SEALING	1			0.020	

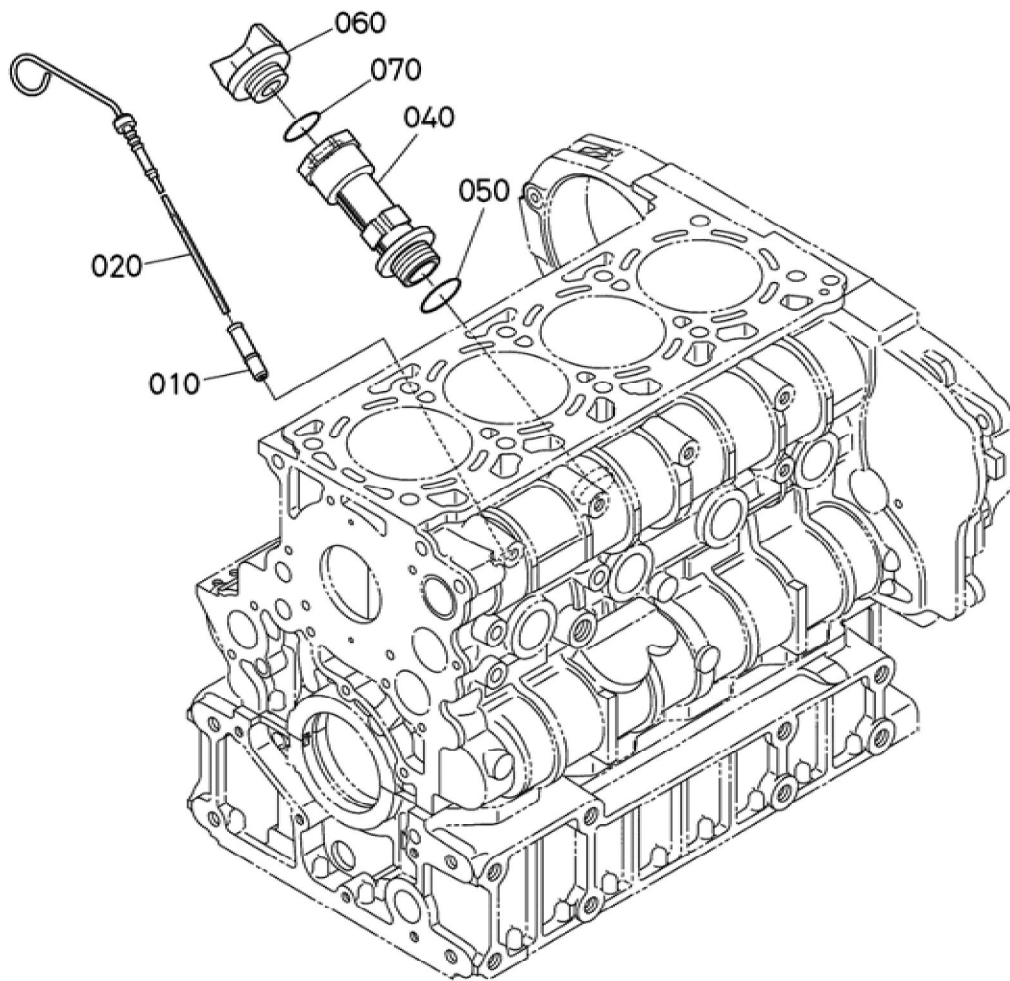


BKIDA5192 >> KX060-5 >> MOTOR / ENGINE >> 501000 OELWANNE / OIL PAN

Update Date : 12-03-2020 Print Date : 10-02-2022

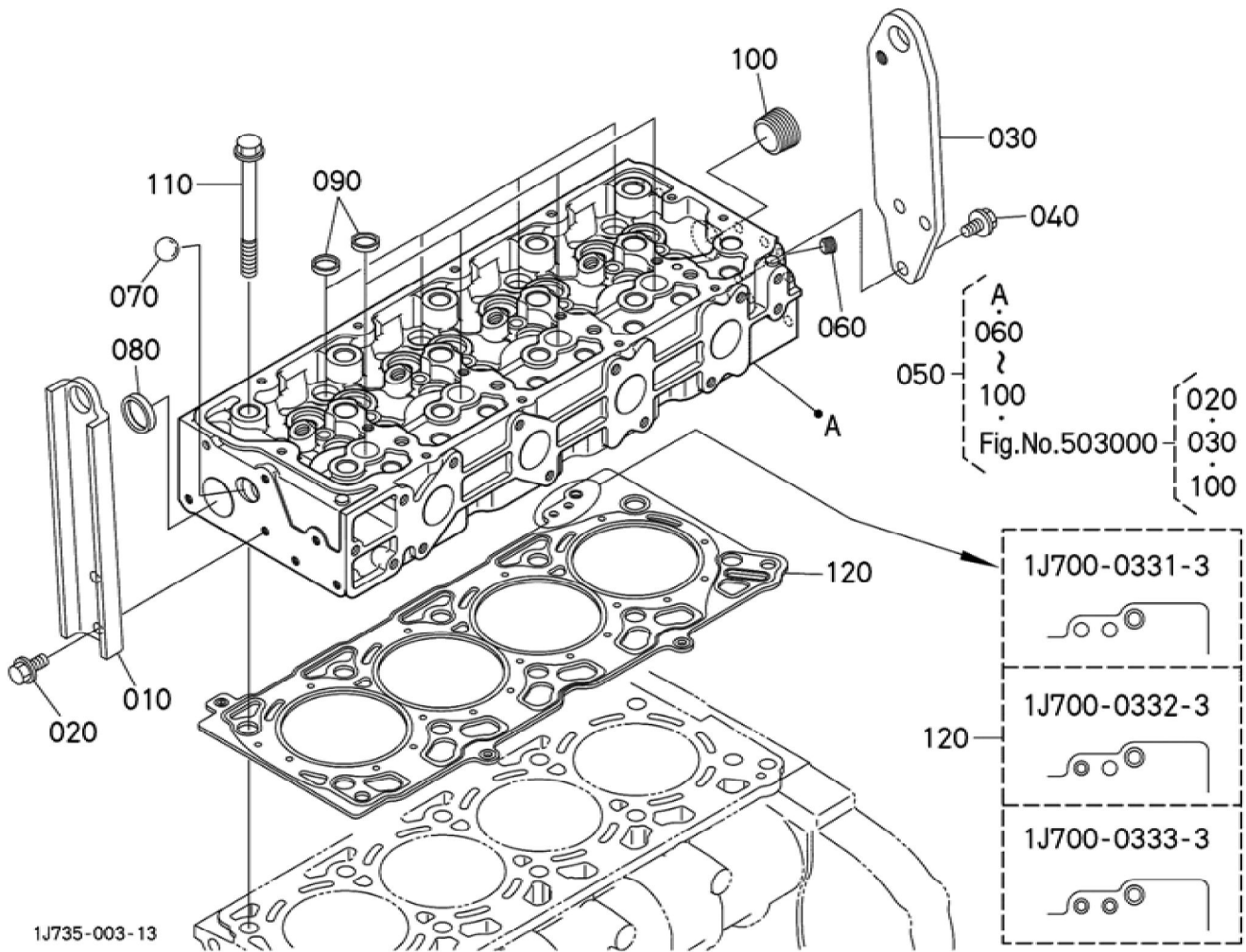
No.	Part Number	Part Name (POL)	Part Name (ENG)	QTY	IC	Serial No./PIN	Kg	Remarks
010	1J730-01500	KOMP.OELW ANNE	COMP.OIL PAN	1			2.700	
020	04717-02200	GUMMIUNTE RLAGE	WASHER,SEA L	1			0.006	
030	15707-33750	ENTLEERUN GSSTOPFEN	PLUG(DRAIN)	1			0.095	
040	01755-50816	SCHRAUBE	BOLT,FLANG E	24			0.013	
050	1J700-32110	OELFILTER	FILTER,OIL	1			0.235	
060	04817-00180	O RING	O RING	1			0.001	
070	01755-50816	SCHRAUBE	BOLT,FLANG E	1			0.013	

Update Date : 12-03-2020 Print Date : 10-02-2022



Update Date : 12-03-2020 Print Date : 10-02-2022

No.	Part Number	Part Name (POL)	Part Name (ENG)	QTY	IC	Serial No./PIN	Kg	Remarks
010	16809-36420	FUEHRUNG, OELMESSST AB	GUIDE (GAUGE,OIL)	1			0.028	
020	1J700-36410	OELMESSST AB	GAUGE,OIL	1			0.027	
040	15224-33110	OELFILTERFL ANSCH	FLANGE,OIL FILLER	1			0.158	
050	04814-50300	O RING	O RING	1			0.001	
060	E9151-33140	OELEINFUEL LSTOPFEN	PLUG(OIL FILLER)	1			0.017	
070	1J001-96770	O RING	O RING	1			0.001	

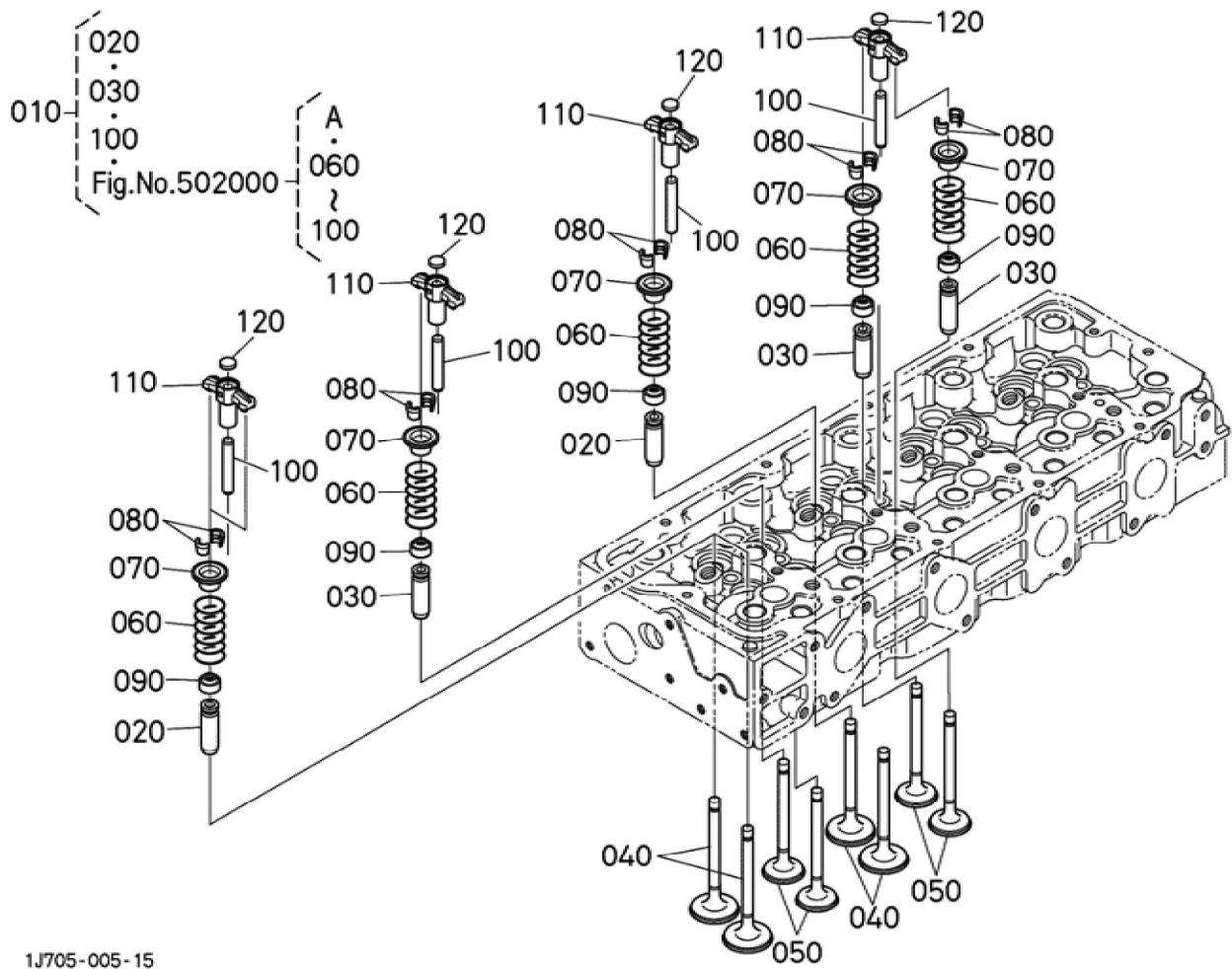


BKIDA5192 >> KX060-5 >> MOTOR / ENGINE >> 502000 ZYLINDERKOPF / CYLINDER HEAD

Update Date : 12-03-2020 Print Date : 10-02-2022

No.	Part Number	Part Name (POL)	Part Name (ENG)	QTY	IC	Serial No./PIN	Kg	Remarks
010	1J735-01740	HAKEN	HOOK (ENGINE,FRO NT)	1			0.460	
020	01754-50816	SCHRAUBE	BOLT,FLANG E	2			0.011	
030	1J735-01750	HAKEN	HOOK (ENGINE,REA R)	1			0.740	
040	01754-50835	SCHRAUBE	BOLT,FLANG E	2			0.017	
050	1J705-03032	ZYLINDERKO PF,KOMP.	HEAD,CYLIN DER,SUB- ASSY	1			21.700	
060	15521-96020	STOPFEN	PLUG	1			0.003	
070	07715-01611	KUGEL	BALL	1			0.022	
080	15321-96260	KAPPE	CAP,SEALING	1			0.014	
090	16851-96270	KAPPE	CAP,SEALING	8			0.005	
100	16683-96020	STOPFEN	PLUG	1			0.088	
110	1J700-04560	BOLZEN	BOLT,CRANK CASE	10			0.145	
120	1J700-03313	ZYLINDERKO PFDICHTUNG	GASKET,CYLI NDER HEAD	1			0.165	0.1mm
120	1J700-03323	ZYLINDERKO PFDICHTUNG	GASKET,CYLI NDER HEAD	1			0.190	0.2mm
120	1J700-03333	ZYLINDERKO PFDICHTUNG	GASKET,CYLI NDER HEAD	1			0.220	0.3mm

Update Date : 12-03-2020 Print Date : 10-02-2022



1J705-005-15



Download the full PDF manual instantly.

Our customer service e-mail:

aservicemanualpdf@yahoo.com