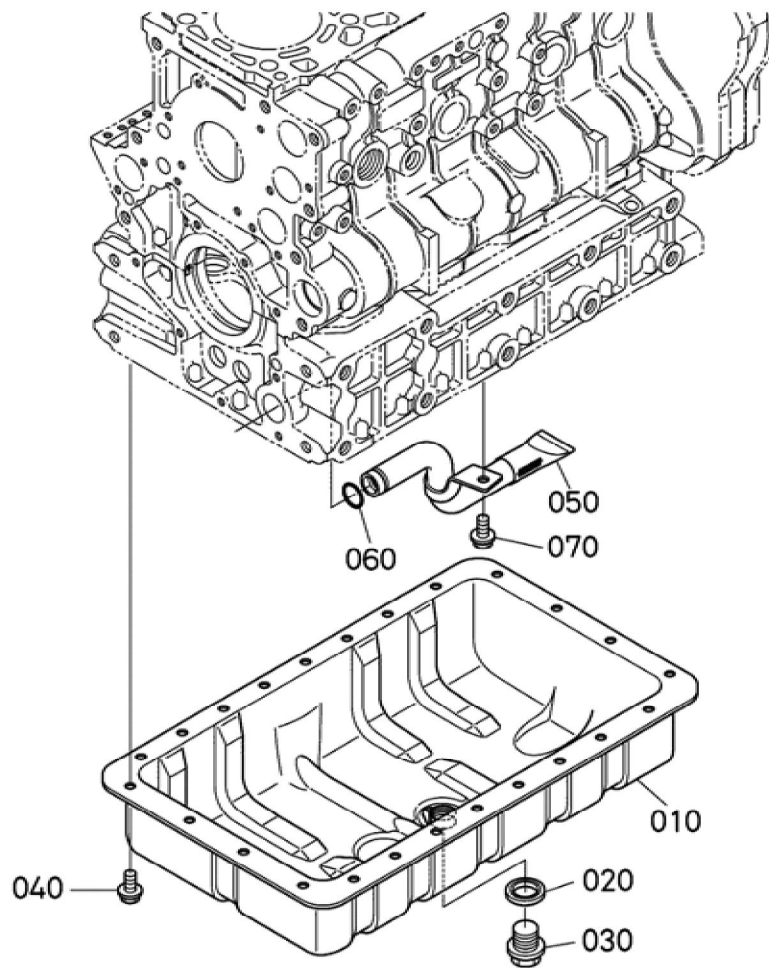


1J730-001-15

Update Date : 26-03-2020 Print Date : 09-02-2022

No.	Part Number	Part Name (POL)	Part Name (ENG)	QTY	IC	Serial No./PIN	Kg	Remarks
010	1J730-01020	GRP. KURBELGEH AEUSE	ASSY CRANKCASE	1			78.000	
020	1J700-04560	BOLZEN	BOLT,CRANK CASE	10			0.145	
030	01774-51035	SCHRAUBE	BOLT,FLANG E	16			0.030	
040	05012-01016	ZYLINDERSTI FT	PIN STRAIGHT	2			0.010	
050	06311-85025	STOEPSEL,A BDICHTUNG	CAP,SEALING	6			0.010	
060	15321-96260	KAPPE	CAP,SEALING	4			0.014	
070	15221-03490	STOPFEN	CAP,SEALING	1			0.020	
080	06311-85016	STOEPSEL,A BDICHTUNG	CAP,SEALING	2			0.003	
090	15521-96020	STOPFEN	PLUG	1			0.003	
100	1A021-96020	STOPFEN	PLUG	1			0.020	
130	05012-01016	ZYLINDERSTI FT	PIN STRAIGHT	2			0.010	
140	05012-01016	ZYLINDERSTI FT	PIN STRAIGHT	4			0.010	
150	15221-03490	STOPFEN	CAP,SEALING	1			0.020	

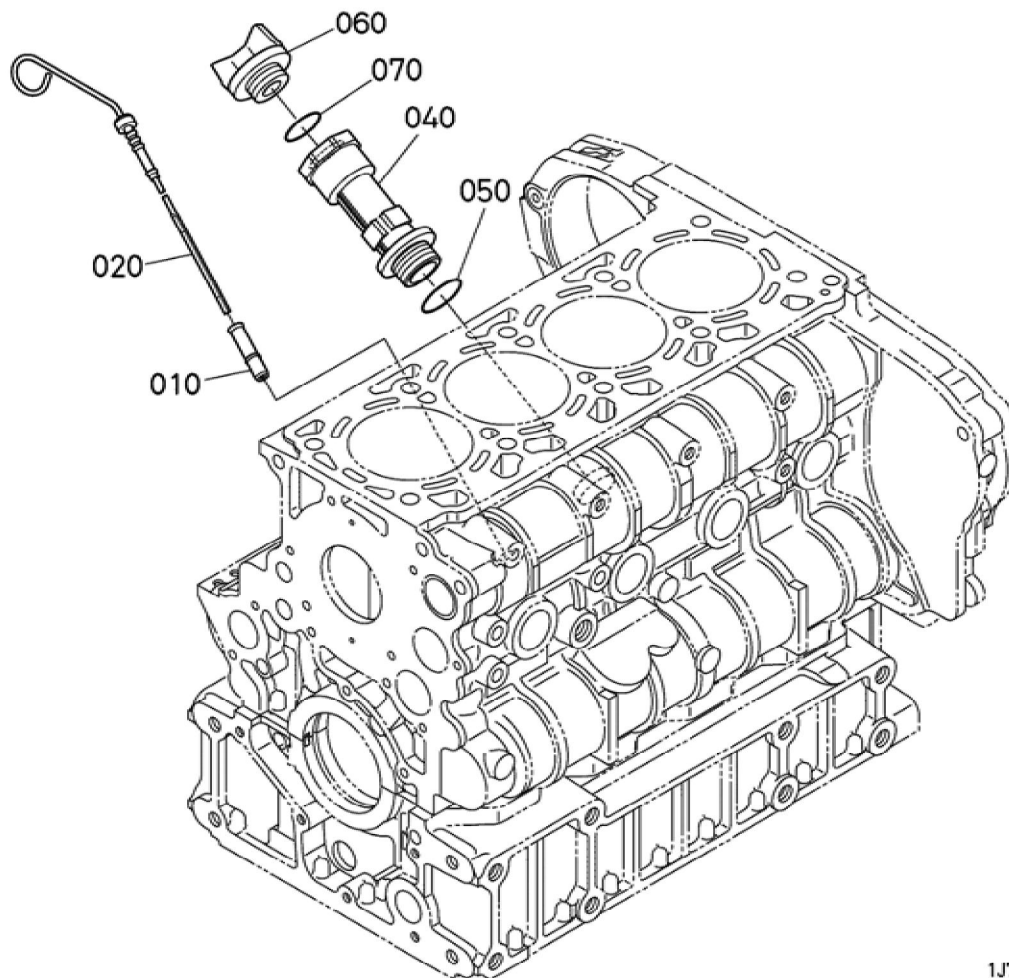


BKIDA5097 >> KX057-4(S/N;80001~) >> MOTOR / ENGINE >> 501000 OELWANNE / OIL PAN

Update Date : 26-03-2020 Print Date : 09-02-2022

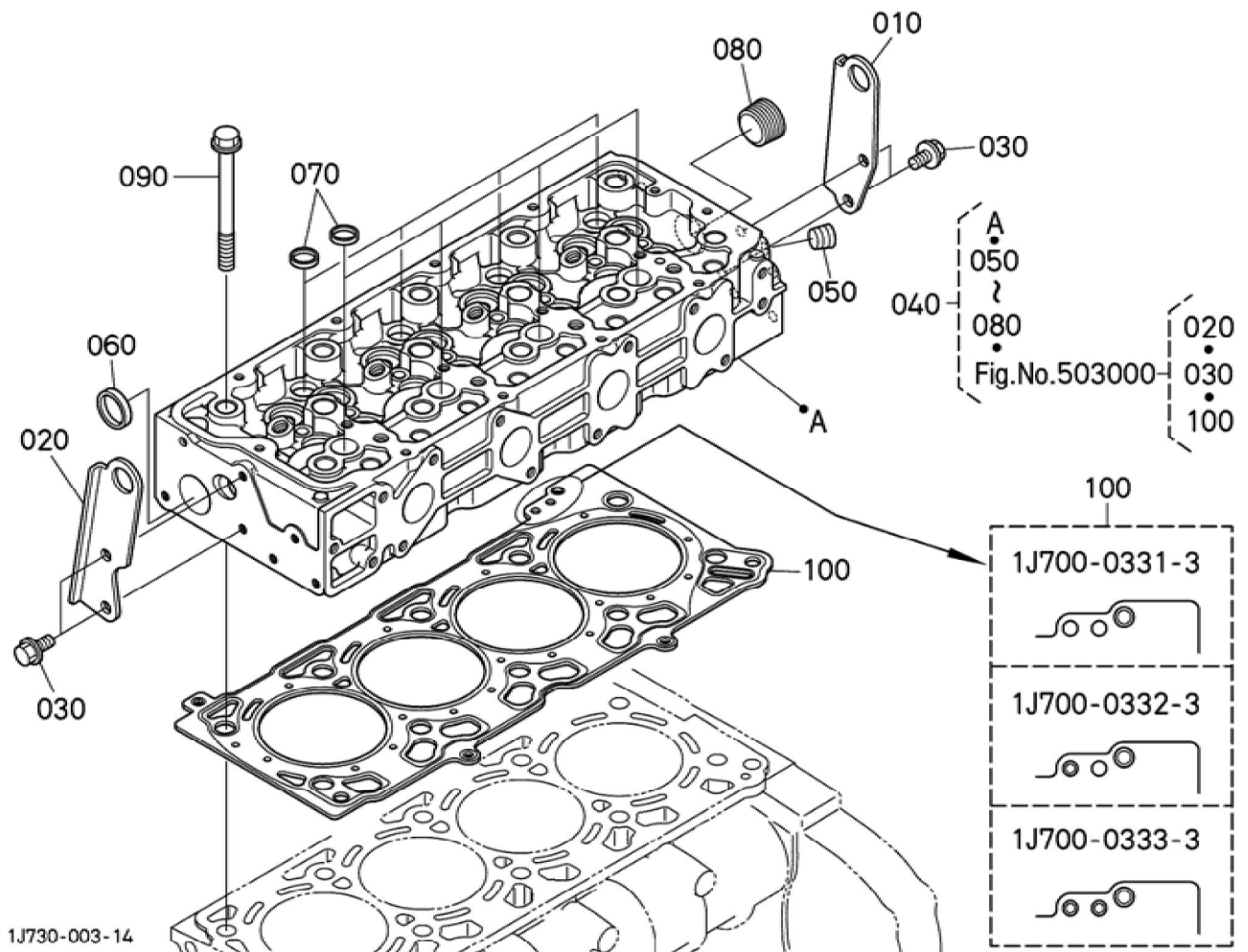
No.	Part Number	Part Name (POL)	Part Name (ENG)	QTY	IC	Serial No./PIN	Kg	Remarks
010	1J730-01500	KOMP.OELW ANNE	COMP.OIL PAN	1			2.700	
020	16265-96670	DICHTUNG	PACKING	1		<=8JRZ999	0.010	
020	04717-02200	GUMMIUNTE RLAGE	WASHER,SEA L	1	>>	>=8JS0001	0.006	
030	15707-33750	ENTLEERUN GSSTOPFEN	PLUG(DRAIN)	1			0.095	
040	01755-50816	SCHRAUBE	BOLT,FLANG E	24			0.013	
050	1J700-32110	OELFILTER	FILTER,OIL	1			0.235	
060	04815-00180	O RING	O RING	1			0.003	
070	01755-50816	SCHRAUBE	BOLT,FLANG E	1			0.013	

Update Date : 26-03-2020 Print Date : 09-02-2022



Update Date : 26-03-2020 Print Date : 09-02-2022

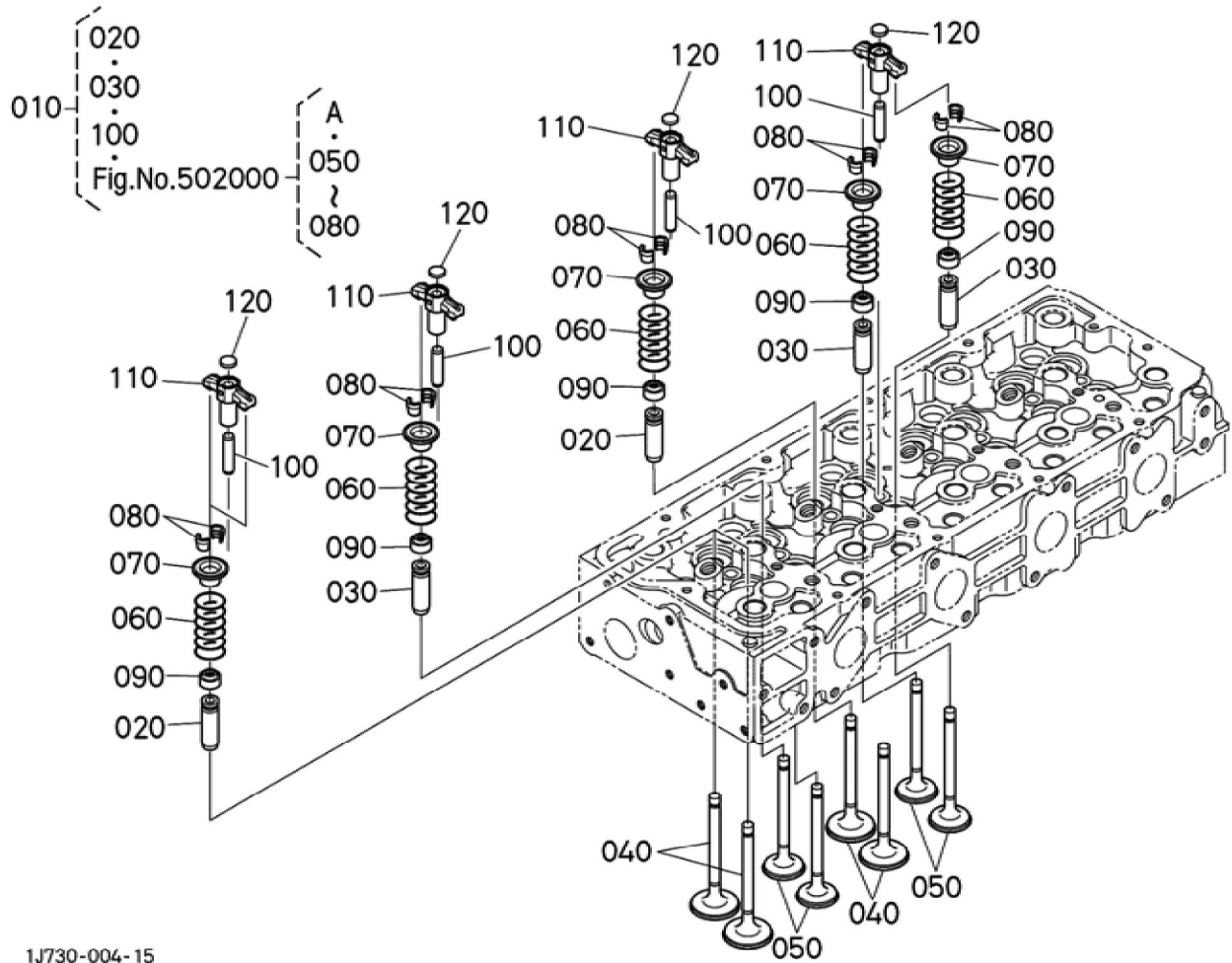
No.	Part Number	Part Name (POL)	Part Name (ENG)	QTY	IC	Serial No./PIN	Kg	Remarks
010	16809-36420	FUEHRUNG, OELMESSST AB	GUIDE (GAUGE,OIL)	1			0.028	
020	1J700-36410	OELMESSST AB	GAUGE,OIL	1			0.027	
040	15224-33110	OELFILTERFL ANSCH	FLANGE,OIL FILLER	1			0.158	
050	04814-50300	O RING	O RING	1			0.001	
060	E9151-33140	OELEINFUEL LSTOPFEN	PLUG(OIL FILLER)	1			0.017	
070	1J001-96770	O RING	O RING	1			0.001	



Update Date : 26-03-2020 Print Date : 09-02-2022

No.	Part Number	Part Name (POL)	Part Name (ENG)	QTY	IC	Serial No./PIN	Kg	Remarks
010	1J730-01740	MOTORHAKE N	HOOK,ENGIN E	1			0.250	
020	1J730-01750	MOTORHAKE N	HOOK,ENGIN E	1			0.200	
030	01754-50816	SCHRAUBE	BOLT,FLANG E	4			0.011	
040	1J701-03034	GRP.ZYLINDE RKOPF	ASSY CYLINDER HEAD	1		<=8GVZ999	25.000	
040	1J701-03036	GRP.ZYLINDE RKOPF	ASSY CYLINDER HEAD	1	>>	>=8GW0001	21.015	
050	15521-96020	STOPFEN	PLUG	1			0.003	
060	15321-96260	KAPPE	CAP,SEALING	1			0.014	
070	16851-96270	KAPPE	CAP,SEALING	8			0.005	
080	16683-96020	STOPFEN	PLUG	1			0.088	
090	1J700-04560	BOLZEN	BOLT,CRANK CASE	10			0.145	
100	1J700-03310	ZYLINDERKO PFDICHTUNG	GASKET,CYLI NDER HEAD	1		<=8JKZ999	0.165	0.1mm
100	1J700-03313	ZYLINDERKO PFDICHTUNG	GASKET,CYLI NDER HEAD	1	>>	>=8JL0001	0.165	0.1mm
100	1J700-03320	ZYLINDERKO PFDICHTUNG	GASKET,CYLI NDER HEAD	1		<=8JKZ999	0.190	0.2mm
100	1J700-03323	ZYLINDERKO PFDICHTUNG	GASKET,CYLI NDER HEAD	1	>>	>=8JL0001	0.190	0.2mm
100	1J700-03330	ZYLINDERKO PFDICHTUNG	GASKET,CYLI NDER HEAD	1		<=8JKZ999	0.220	0.3mm
100	1J700-03333	ZYLINDERKO PFDICHTUNG	GASKET,CYLI NDER HEAD	1	>>	>=8JL0001	0.220	0.3mm

Update Date : 26-03-2020 Print Date : 09-02-2022





Download the full PDF manual instantly.

Our customer service e-mail:

aservicemanualpdf@yahoo.com