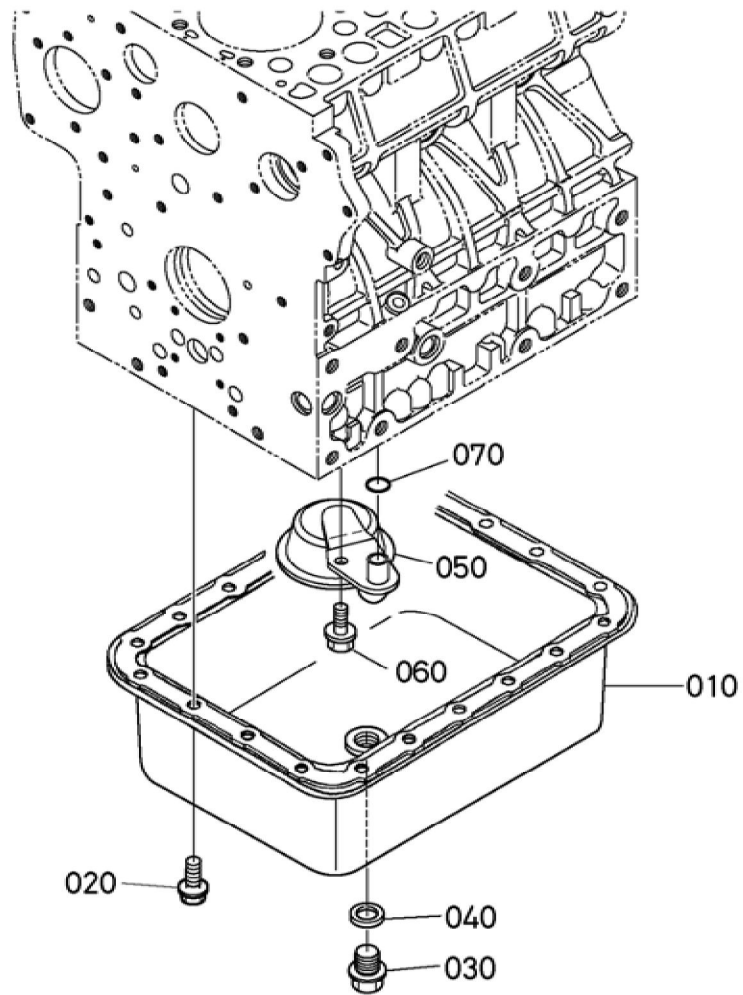


BKIDA5123 >> KX042-4 >> MOTOR / ENGINE >> 500000 KURBELGHAEUSE / CRANKCASE

Update Date : 26-03-2020 Print Date : 08-02-2022

No.	Part Number	Part Name (POL)	Part Name (ENG)	QTY	IC	Serial No./PIN	Kg	Remarks
010	1J805-01013	KOMP.KURBELGHAEUSE	CRANKCASE, COMP	1			50.000	
020	15521-96020	STOPFEN	PLUG	4			0.003	
030	15521-96030	STOPFEN	PLUG	2			0.007	
040	17391-96160	STOPFEN	PLUG,EXPANSION	3			0.003	
050	16271-96160	STOPFEN	PLUG,EXPANSION	1			0.025	
060	15221-03380	STOPFEN	CAP,SEALING	3			0.017	
070	1J860-71010	KOMP.WASSERROHR	PIPE,COMP	2			0.063	
071	17331-73342	WASSERROHR	PIPE,WATER RETURN	2			0.010	
080	15221-03390	STOPFEN	CAP,SEALING	2			0.030	
090	05012-00609	ZYLINDERSTIFT	PIN,STRAIGHT	2			0.003	
100	05012-00612	ZYLINDERSTIFT	PIN, STRAIGHT	2			0.003	
110	05012-01018	ZYLINDERSTIFT	PIN,STRAIGHT	1			0.012	
120	15221-33650	ROHRSTIFT	PIN,PIPE	1			0.004	
130	15321-73340	WASSERROHR	PIPE(WATER RETURN)	1			0.016	
140	1J801-05840	KOMP.ROHR	PIPE,COMP (OIL RETURN)	1			0.060	
150	1E013-35013	GRP.OELPUMPE	ASSY PUMP,OIL	1			0.570	
160	1A021-35150	DICHTUNGSPLATTE	GASKET,OIL PUMP	1			0.001	
170	01023-50650	BOLZEN	BOLT,SEMS	4			0.012	
180	1G896-35660	ZAHNRAD	GEAR,OIL PUMP DRIVE	1			0.135	
190	05712-00410	KEIL	KEY,FEATHER	1			0.001	
200	15221-35682	MUTTER	NUT	1			0.014	

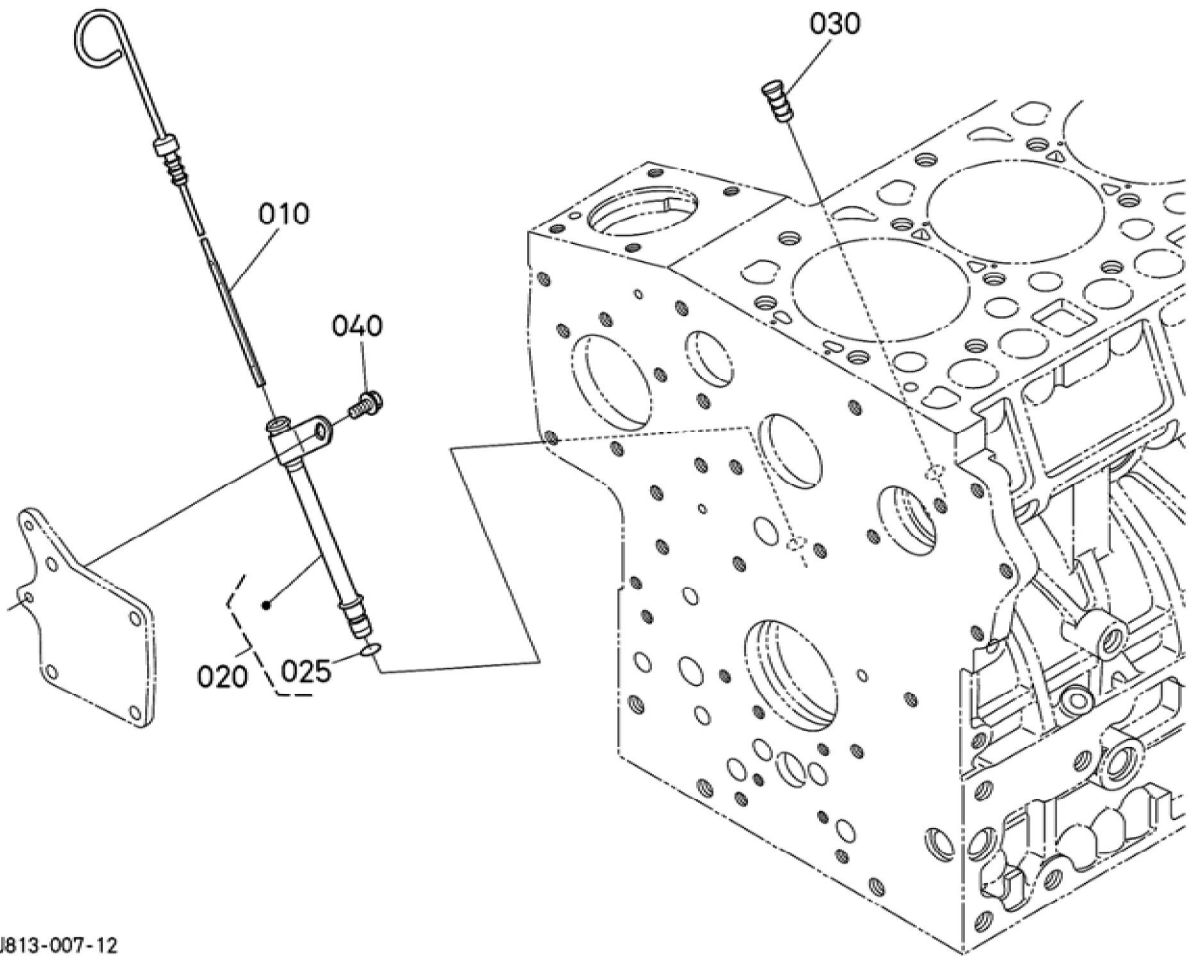


BKIDA5123 >> KX042-4 >> MOTOR / ENGINE >> 501000 OELWANNE / OIL PAN

Update Date : 26-03-2020 Print Date : 08-02-2022

No.	Part Number	Part Name (POL)	Part Name (ENG)	QTY	IC	Serial No./PIN	Kg	Remarks
010	17077-01615	OELWANNE	OIL PAN	1			1.980	
020	17333-91013	SCHRAUBE	BOLT,FLANG E	20			0.030	
030	15707-33750	ENTLEERUN GSSTOPFEN	PLUG(DRAIN)	1			0.095	
040	15451-96670	DICHTUNG	PACKING	1			0.003	
050	15628-32110	OELFILTER	FILTER,OIL	1			0.225	
060	01754-50812	SCHRAUBE	BOLT,FLANG E	1			0.008	
070	04817-00160	O RING	O RING	1			0.001	

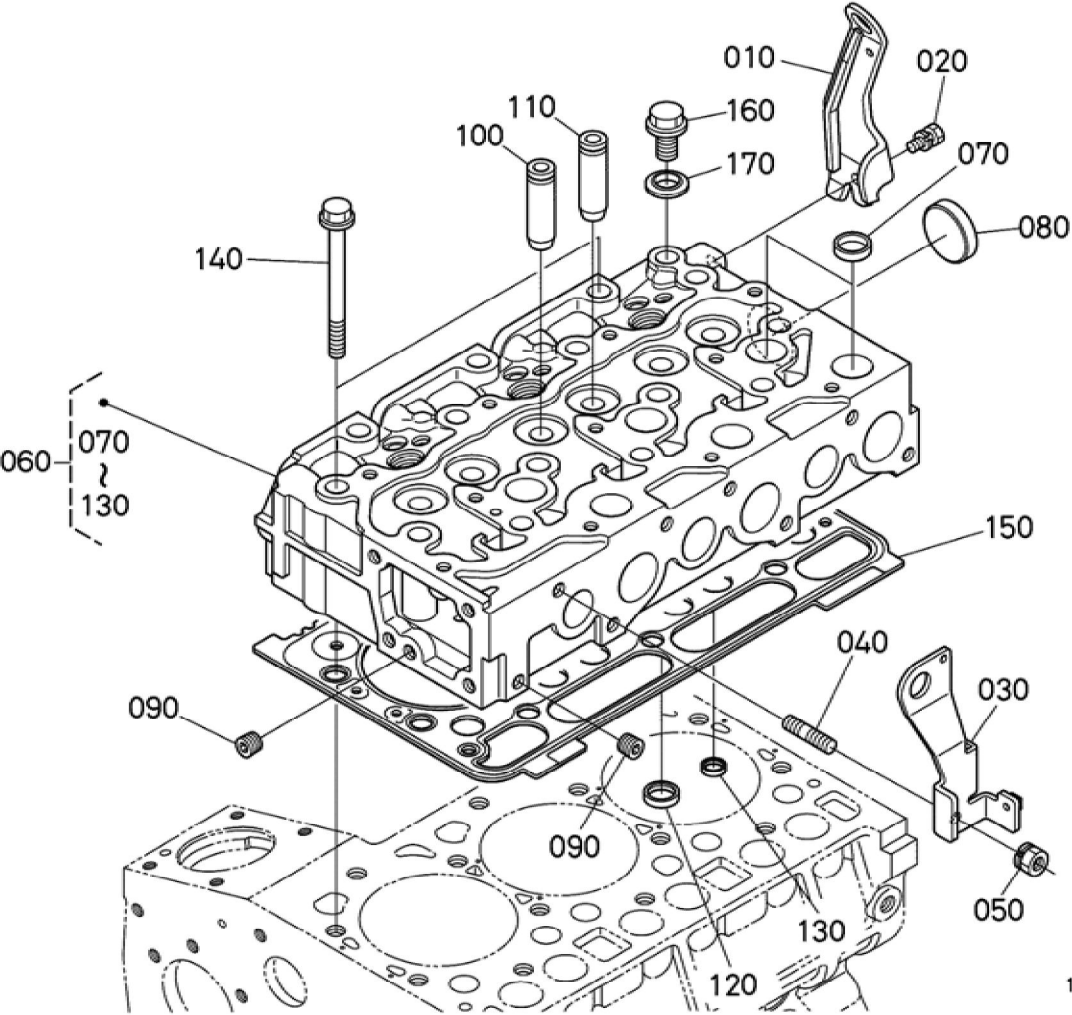
Update Date : 26-03-2020 Print Date : 08-02-2022



1J813-007-12

Update Date : 26-03-2020 Print Date : 08-02-2022

No.	Part Number	Part Name (POL)	Part Name (ENG)	QTY	IC	Serial No./PIN	Kg	Remarks
010	1J813-36414	OELMESSSTAB	GAUGE,ENG.OIL	1			0.030	
020	1J813-36500	GRP.FUEHRUNG	GUIDE,ASSY (OIL GAUGE)	1		<=7LBZ999	0.065	
020	1J813-36503	GRP.FUEHRUNG	GUIDE,ASSY (OIL GAUGE)	1	>>	>=7LC0001	0.065	
025	04814-00090	O RING	O RING	1		<=7LBZ999	0.001	
025	1J451-35460	O RING	O-RING	1	>>	>=7LC0001	0.002	
030	1G513-36550	STOPFEN, OELMESSSTAB	PLUG,OIL GAUGE	1			0.004	
040	01754-50612	SCHRAUBE	BOLT,FLANGE	1			0.005	



BKIDA5123 >> KX042-4 >> MOTOR / ENGINE >> 502000 ZYLINDERKOPF / CYLINDER HEAD

Update Date : 26-03-2020 Print Date : 08-02-2022

No.	Part Number	Part Name (POL)	Part Name (ENG)	QTY	IC	Serial No./PIN	Kg	Remarks
010	1J813-01752	HAKEN	HOOK (ENGINE,REAR)	1		<=7LDZ999	0.420	
010	1J813-01753	HAKEN	HOOK (ENGINE,REAR)	1	>>	>=7LE0001	0.420	
020	01123-50816	SCHRAUBE	BOLT,SEMS	1			0.011	
030	1J813-01743	HAKEN	HOOK (ENGINE)	1			0.305	
040	15471-91530	STEBOLZEN	BOLT,STUD	1			0.010	
050	16429-92010	MUTTER	NUT WITH LOCK WASHER	1			0.007	
060	1J804-03040	KOMP.ZYLINDERKOPF	HEAD,CYLINDER,COMP	1		<=7KBZ999	15.000	
060	1J822-03040	KOMP.ZYLINDERKOPF	HEAD,CYLINDER,COMP	1	>>	>=7KC0001	15.000	
070	15221-03370	STOPFEN	PLUG,CUP TYPE	9			0.010	
080	15221-03490	STOPFEN	CAP,SEALING	1			0.020	
090	15261-96010	STOPFEN	PLUG	2			0.002	
100	1G896-13580	EINLASSVENTILFUEHRUNG	GUIDE,VALVE INLET	3		<=7JVZ999	0.020	
100	1J829-13580	VENTILFUEHRUNG	GUIDE,VALVE (INLET)	3	>>	>=7JW0001	0.020	
110	1C010-13560	AUSLASSVENTILFUEHRUNG	GUIDE,EXHAUST VALVE	3		<=7JVZ999	0.025	
110	1J829-13560	VENTILFUEHRUNG	GUIDE,VALVE (EXHAUST)	3	>>	>=7JW0001	0.020	
120	17111-13620	VENTILSITZ	SEAT,INLET VALVE	3			0.010	
130	17111-13612	SITZ,AUSLASSVENTIL	SEAT,EXHAUST VALVE	3			0.007	
140	19013-03450	ZYLINDERKOPFSCHRAUBE	BOLT,HEAD (CYLINDER)	14			0.077	
150	1G750-03312	ZYLINDERKOPFDICHTUNG	GASKET,CYL. HEAD	1			0.220	1.20mm
150	1G750-03602	ZYLINDERKOPFDICHTUNG	GASKET,CYL. HEAD	1			0.215	1.15mm
150	1G750-03612	ZYLINDERKOPFDICHTUNG	GASKET,CYL. HEAD	1			0.235	1.25mm

BKIDA5123 >> KX042-4 >> MOTOR / ENGINE >> 502000 ZYLINDERKOPF / CYLINDER HEAD

Update Date : 26-03-2020 Print Date : 08-02-2022

No.	Part Number	Part Name (POL)	Part Name (ENG)	QTY	IC	Serial No./PIN	Kg	Remarks
150	1G750-03622	ZYLINDERKO PFDICHTUNG	GASKET,CYL. HEAD	1			0.245	1.30mm
150	1G750-03632	ZYLINDERKO PFDICHTUNG	GASKET,CYL. HEAD	1			0.255	1.35mm
160	06311-55010	STOPFEN	PLUG	1			0.015	
170	04717-01000	GUMMIUNTE RLAGE	WASHER,SEA L	1			0.001	



Download the full PDF manual instantly.

Our customer service e-mail:

aservicemanualpdf@yahoo.com