

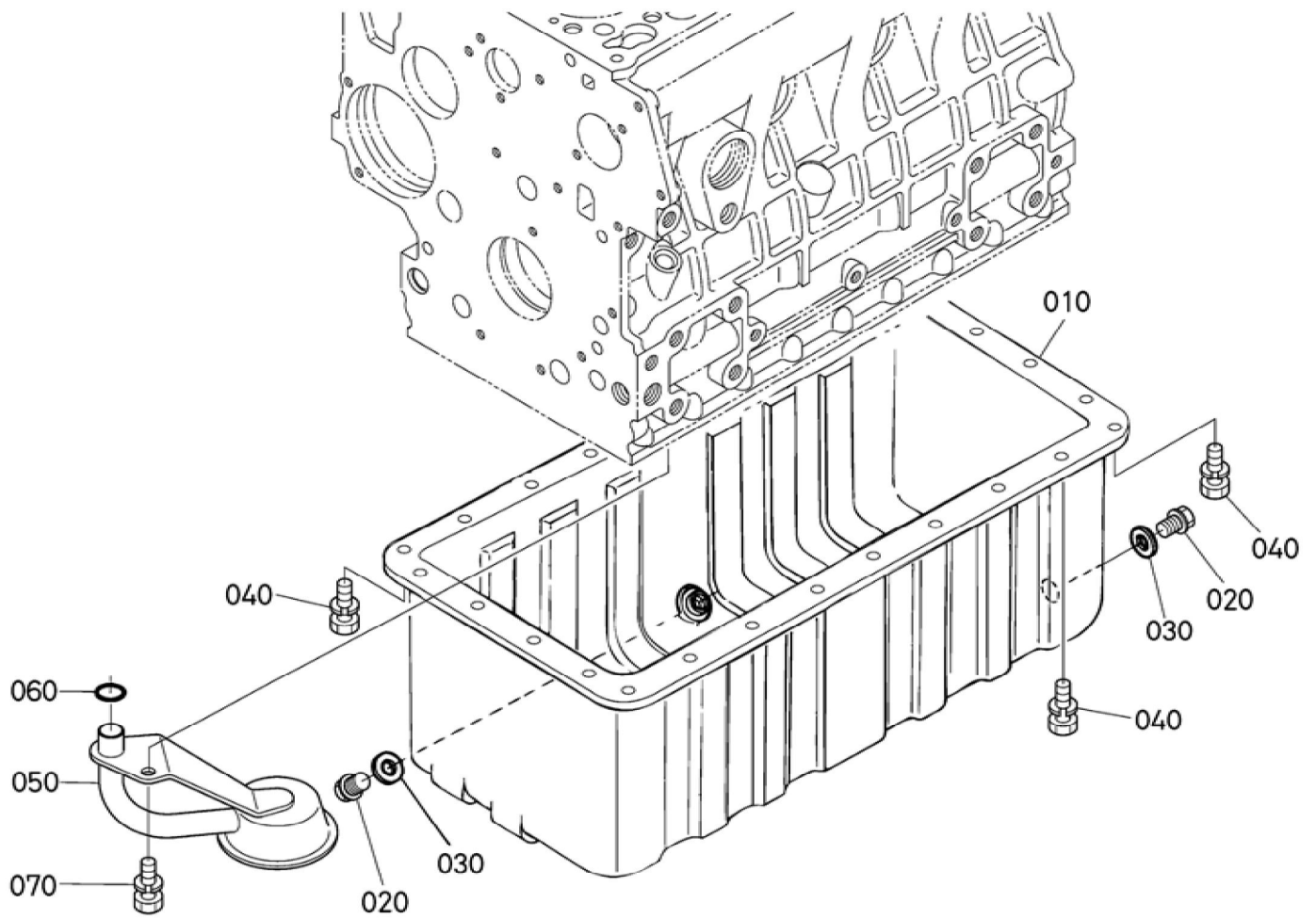
BKIDK5183 >> KX030-4 >> MOTOR / ENGINE >> 000100 KURBELGHAEUSE / CRANKCASE

Update Date : 02-04-2020 Print Date : 08-02-2022

No.	Part Number	Part Name (POL)	Part Name (ENG)	QTY	IC	Serial No./PIN	Kg	Remarks
010	1A482-01010	KOMP.KURBELGEHAEUSE	CRANKCASE, COMP	1			49.000	
010	1G678-01010	KOMP.KURBELGEHAEUSE	CRANKCASE, COMP	1	>>		0.000	
010	1G678-01014	KOMP.KURBELGEHAEUSE	COMP.CRANKCASE	1	>>	>=1JC0001	38.000	
010	1G678-01018	KOMP.KURBELGEHAEUSE	COMP.CRANKCASE	1	>>	>=1JL0001	38.000	
020	15451-96270	KAPPE	CAP,SEALING	6			0.010	
030	15221-03490	STOPFEN	CAP,SEALING	1			0.020	
040	15261-96010	STOPFEN	PLUG	4			0.002	
050	16241-73170	ANSCHLUSSSTUECK	JOINT.DRAIN PIPE	1		<=1JKZ999	0.095	
050	16241-73173	ANSCHLUSSSTUECK	JOINT.DRAIN PIPE	1	>>	>=1JL0001	0.095	
060	16241-96010	STOPFEN	PLUG	3			0.007	
070	15521-96020	STOPFEN	PLUG	2			0.003	
080	17391-96160	STOPFEN	PLUG,EXPANSION	3			0.003	
090	16271-96160	STOPFEN	PLUG,EXPANSION	1			0.025	
100	05012-00508	ZYLINDERSTIFT	PIN,STRAIGHT	2			0.001	
110	05012-00814	ZYLINDERSTIFT	PIN,STRAIGHT	2			0.006	
120	05012-00610	ZYLINDERSTIFT	PIN,STRAIGHT	2			0.003	
130	15231-33960	ROHRSTIFT	PIN,PIPE	2			0.001	
140	16241-33650	ROHRSTIFT	PIN,PIPE	1			0.002	
150	16241-96262	STOPFEN	PLUG,FUEL CAMSHAFT	1			0.007	
160	16221-56280	STARTFEDERSTIFT	PIN,START SPRING	1			0.005	
170	16282-96010	STOPFEN	PLUG	1			0.090	
180	16271-55350	BUCHSE	BUSHING (GEAR,GOVERNOR)	1			0.060	
190	1G896-33610	BOLZEN	PLUG	1			0.008	

Update Date : 02-04-2020 Print Date : 08-02-2022

No.	Part Number	Part Name (POL)	Part Name (ENG)	QTY	IC	Serial No./PIN	Kg	Remarks
200	15021-33660	DICHTUNGSP LATTE	PACKING	1			0.001	
210	06311-55020	STOPFEN	PLUG	1			0.031	
220	04724-00130	DICHTUNGSP LATTE	GASKET	1		<=1HTZ999	0.003	
220	04717-01320	GUMMIUNTE RLAGE	WASHER,SEA L	1	>>	>=1HU0001	0.002	
230	16264-83153	DECKEL, HYDR.- PUMPE	COVER,HYDR AULIC PUMP	1			0.028	



BKIDK5183 >> KX030-4 >> MOTOR / ENGINE >> 000200 OELWANNE / OIL PAN

Update Date : 02-04-2020 Print Date : 08-02-2022

No.	Part Number	Part Name (POL)	Part Name (ENG)	QTY	IC	Serial No./PIN	Kg	Remarks
010	19620-01500	KOMP.OELW ANNE	COMP.OIL PAN	1			1.750	
020	13901-33750	ENTLEERUN GSSTOPFEN	PLUG,DRAIN	2			0.025	
030	6C090-58960	DICHTUNGSP LATTE	GASKET	2			0.005	
040	01023-50614	BOLZEN	BOLT,SEMS	26			0.005	
050	16282-32117	OELFILTER	FILTER,OIL	1			0.230	
060	04814-00160	O RING	O RING	1			0.001	
070	01123-50816	SCHRAUBE	BOLT,SEMS	1			0.011	



Download the full PDF manual instantly.

Our customer service e-mail:

aservicemanualpdf@yahoo.com