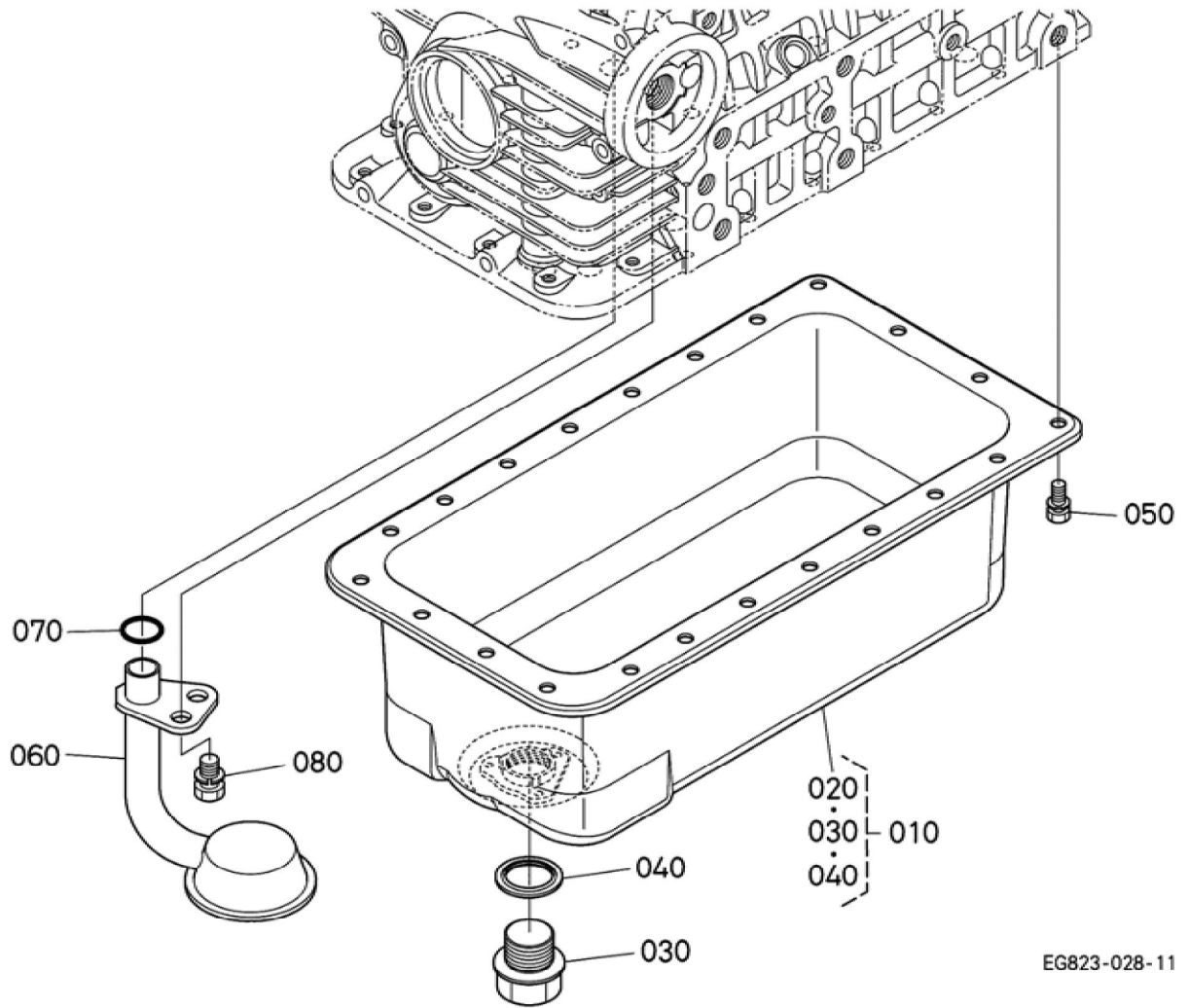


EG823-027-11

BKIDA5209 >> KX019-4 LPG >> MOTOR / ENGINE >> 000100 KURBELGHAEUSE / CRANKCASE

Update Date : 15-07-2021 Print Date : 06-02-2022

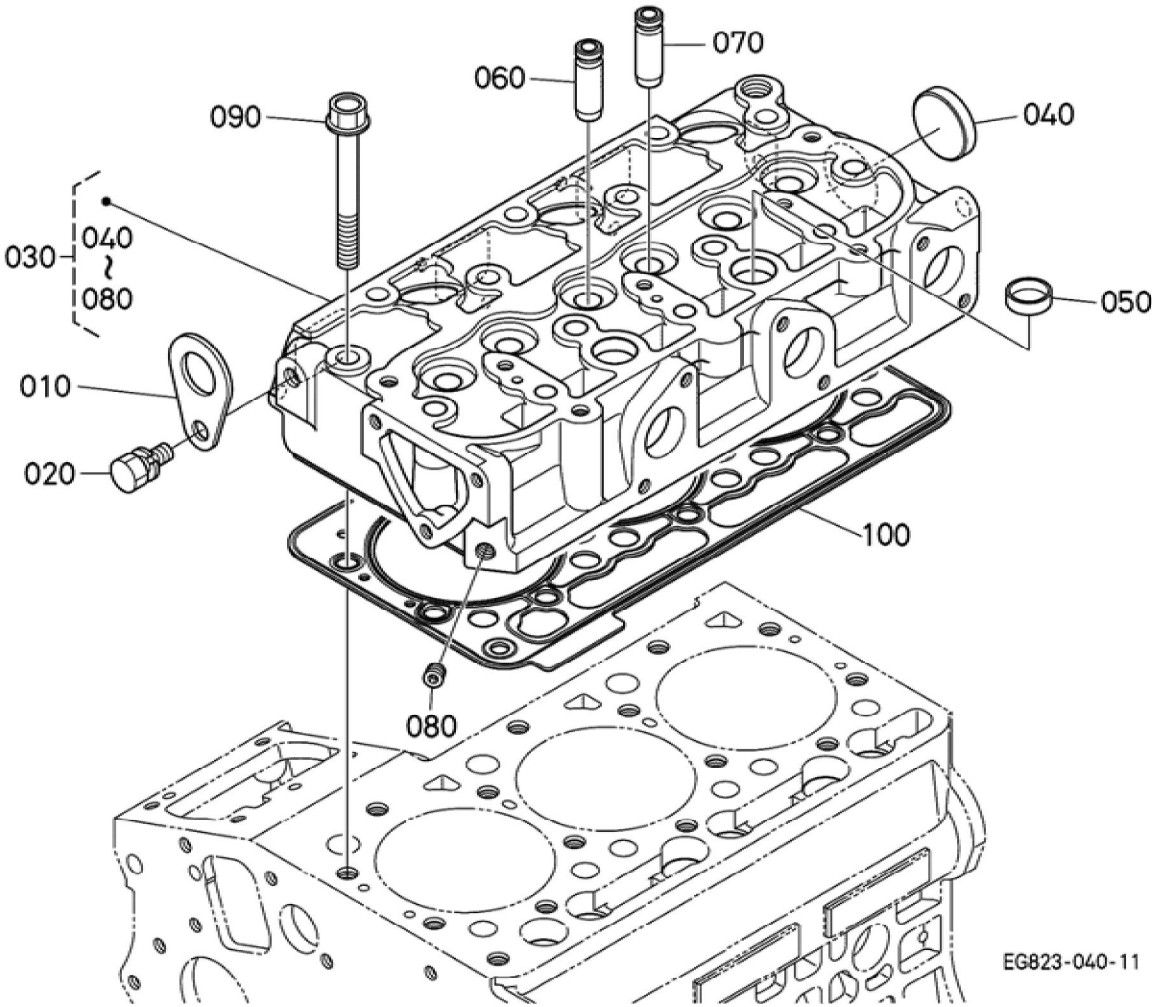
| No. | Part Number | Part Name (POL) | Part Name (ENG) | QTY | IC | Serial No./PIN | Kg | Remarks |
|-----|-------------|---------------------|--------------------|-----|----|----------------|--------|---------|
| 010 | EG511-01013 | KOMP.KURBELGEHAEUSE | COMP.CRANKCASE | 1 | | <=4LTZ999 | 30.000 | |
| 010 | EG511-01015 | KOMP.KURBELGEHAEUSE | COMP.CRANKCASE | 1 | >> | >=4LU0001 | 30.000 | |
| 020 | 16851-96260 | KAPPE | CAP,SEALING | 3 | | | 0.005 | |
| 030 | 16851-96270 | KAPPE | CAP,SEALING | 3 | | | 0.005 | |
| 040 | 15451-96270 | KAPPE | CAP,SEALING | 2 | | | 0.010 | |
| 050 | 15261-96010 | STOPFEN | PLUG | 5 | | | 0.002 | |
| 060 | 15521-96020 | STOPFEN | PLUG | 3 | | | 0.003 | |
| 070 | 15521-96030 | STOPFEN | PLUG | 1 | | | 0.007 | |
| 080 | 15261-96160 | STOPFEN | PLUG,EXPANSION | 1 | | | 0.020 | |
| 090 | 06311-85025 | STOEPSEL,ABDICHTUNG | CAP,SEALING | 2 | | | 0.010 | |
| 100 | 05012-00814 | ZYLINDERSTIFT | PIN,STRAIGHT | 2 | | | 0.006 | |
| 110 | 15221-33650 | ROHRSTIFT | PIN,PIPE | 1 | | | 0.004 | |
| 120 | 17331-59190 | ROHRSTIFT | PIN,PIPE | 2 | | | 0.002 | |
| 130 | 16851-16212 | DECKEL | COVER,FUELCAMSHAFT | 1 | | | 0.030 | |
| 140 | 06311-55020 | STOPFEN | PLUG | 1 | | | 0.031 | |
| 150 | 04717-01320 | GUMMIUNTERLAGE | WASHER,SEAL | 1 | | | 0.002 | |



BKIDA5209 >> KX019-4 LPG >> MOTOR / ENGINE >> 000200 OELWANNE / OIL PAN

Update Date : 15-07-2021 Print Date : 06-02-2022

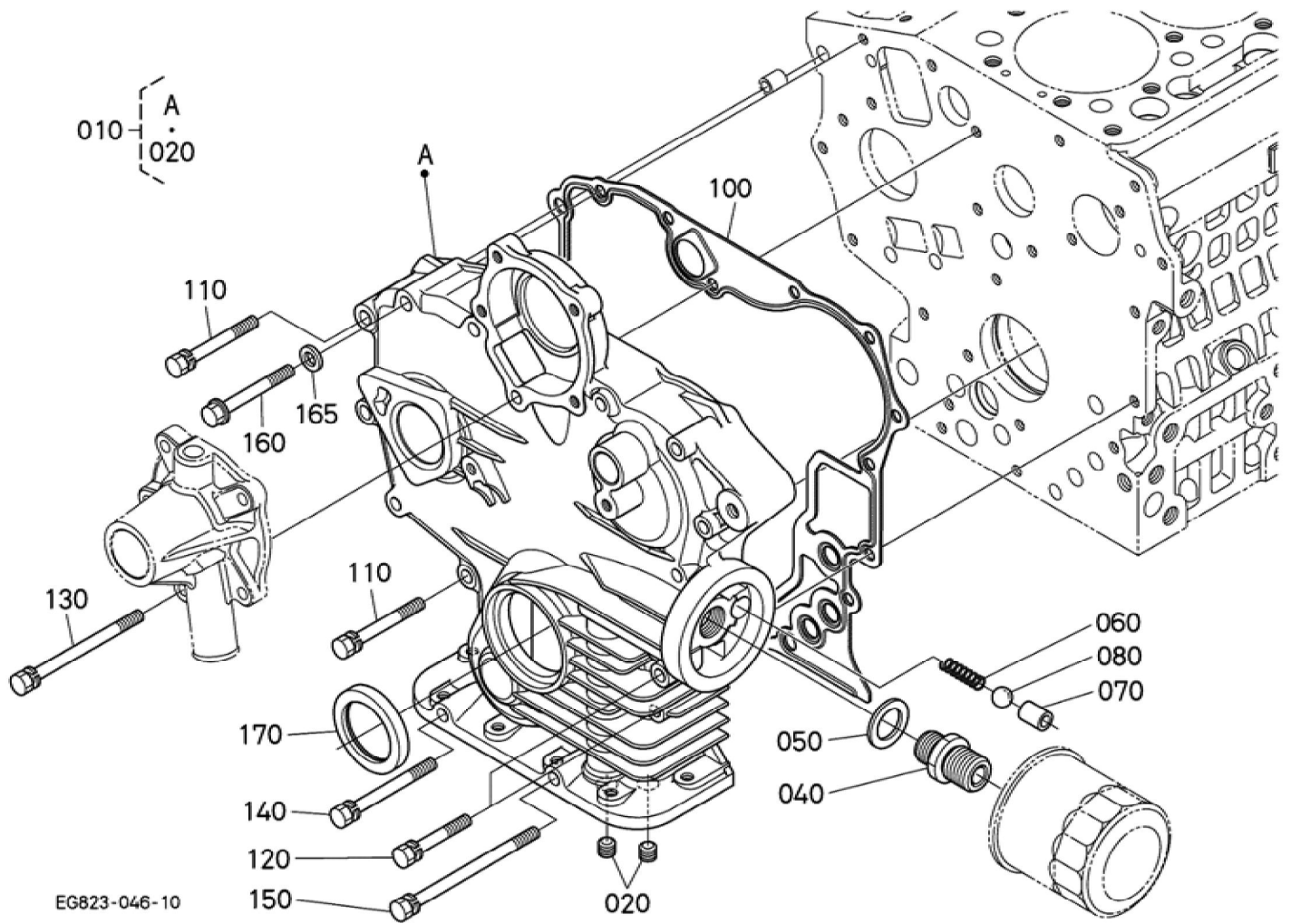
| No. | Part Number | Part Name (POL) | Part Name (ENG) | QTY | IC | Serial No./PIN | Kg | Remarks |
|-----|-------------|--------------------|-----------------|-----|----|----------------|-------|---------|
| 010 | 1G962-01600 | GRP.OELWANNE | PAN,OIL,KIT | 1 | | | 1.800 | |
| 020 | 1G962-01502 | KOMP.OELWANNE | COMP.OIL PAN | 1 | | | 1.580 | |
| 030 | 15707-33750 | ENTLEERUNGSSTOPFEN | PLUG(DRAIN) | 1 | | | 0.095 | |
| 040 | 16265-96670 | DICHTUNG | PACKING | 1 | | | 0.003 | |
| 050 | 01023-50612 | BOLZEN | BOLT,SEMS | 22 | | <=4LTZ999 | 0.005 | |
| 050 | 01023-50614 | BOLZEN | BOLT,SEMS | 22 | NI | >=4LU0001 | 0.005 | |
| 060 | 16851-32110 | OELFILTER | FILTER,OIL | 1 | | | 0.110 | |
| 070 | 04814-00160 | O RING | O RING | 1 | | | 0.001 | |
| 080 | 01123-50814 | BOLZEN | BOLT,SEMS | 1 | | | 0.010 | |



BKIDA5209 >> KX019-4 LPG >> MOTOR / ENGINE >> 000300 ZYLINDERKOPF / CYLINDER HEAD

Update Date : 15-07-2021 Print Date : 06-02-2022

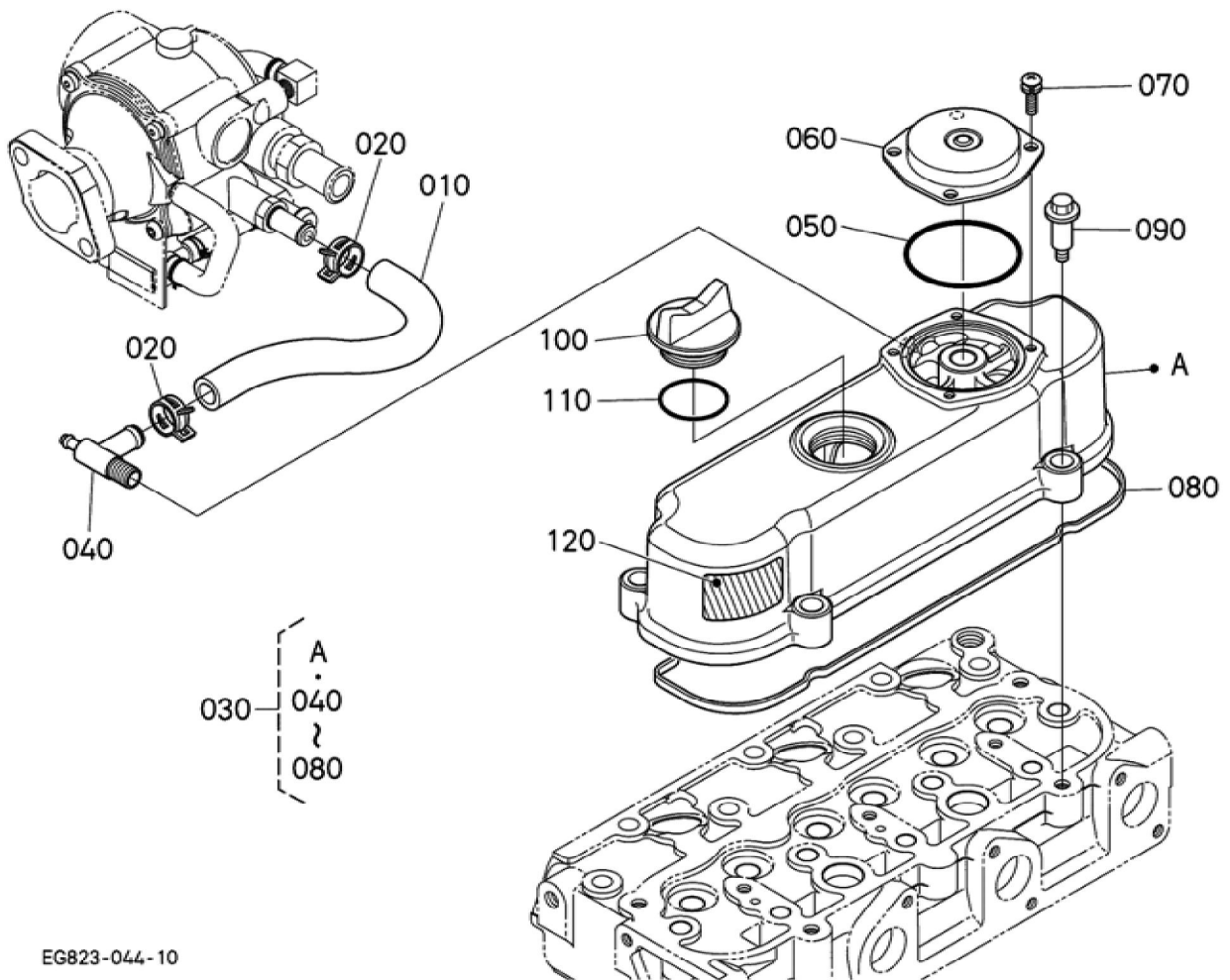
| No. | Part Number | Part Name (POL) | Part Name (ENG) | QTY | IC | Serial No./PIN | Kg | Remarks |
|-----|-------------|-----------------------|-----------------------|-----|----|----------------|-------|---------|
| 010 | 15221-01750 | MOTORHAKEN | HOOK,ENGINE | 1 | | | 0.040 | |
| 020 | 01123-50816 | SCHRAUBE | BOLT,SEMS | 1 | | | 0.011 | |
| 030 | EG815-03040 | KOMP.ZYLINDERKOPF | HEAD,COMP | 1 | | | 6.920 | |
| 040 | 15321-96260 | KAPPE | CAP,SEALING | 1 | | | 0.014 | |
| 050 | 15261-03370 | STOEPSEL,ABDICHTUNG | CAP,SEALING | 2 | | | 0.005 | |
| 060 | 15841-13540 | EINLASSVENTILFUEHRUNG | GUIDE,VALVE (INLET) | 3 | | | 0.014 | |
| 070 | 15841-13560 | AUSLASSVENTILFUEHRUNG | GUIDE (EXHAUST VALVE) | 3 | | | 0.014 | |
| 080 | 15261-96010 | STOPFEN | PLUG | 1 | | | 0.002 | |
| 090 | 14601-03453 | ZYLINDERKOPFSCHRAUBE | BOLT (CYLINDER HEAD) | 14 | | | 0.033 | |
| 100 | EG561-03312 | ZYLINDERKOPFDICHTUNG | GASKET,HEAD | 1 | | | 0.031 | |



BKIDA5209 >> KX019-4 LPG >> MOTOR / ENGINE >> 000400 GETRIEBE GEHAEUSE / GEAR CASE

Update Date : 15-07-2021 Print Date : 06-02-2022

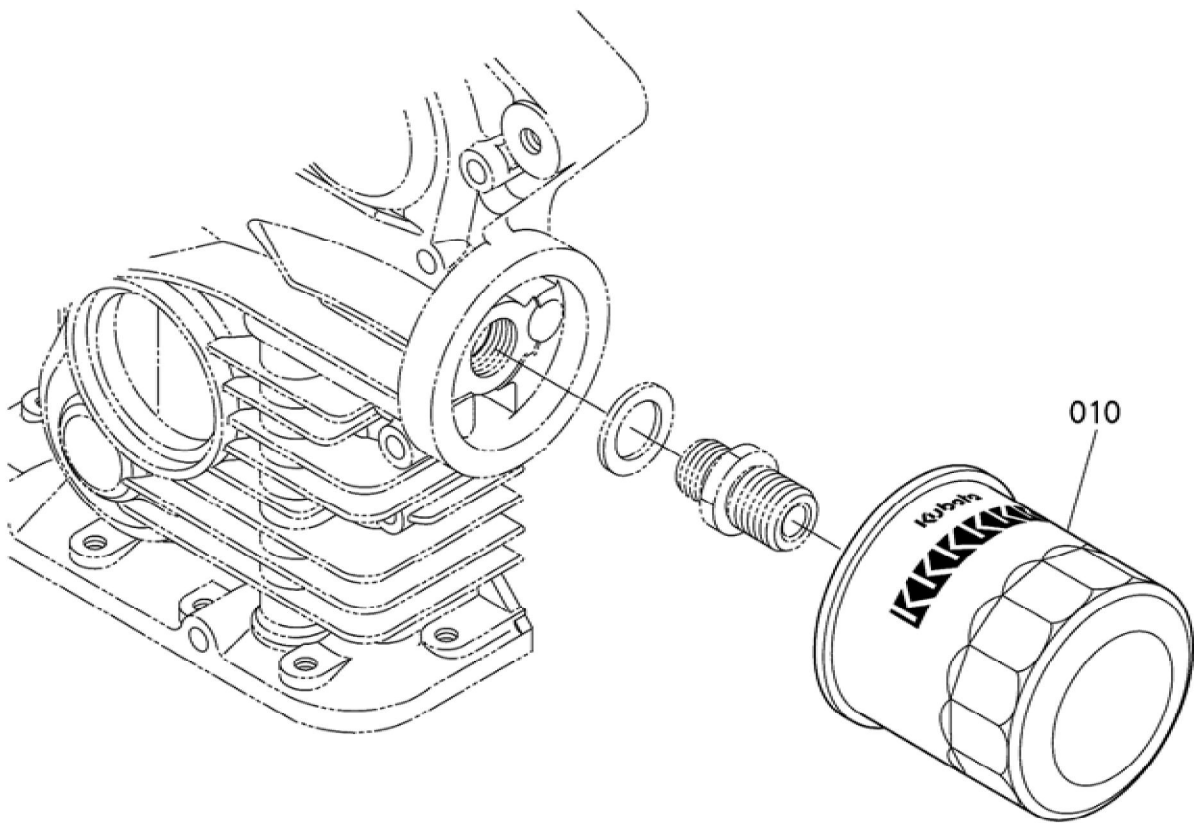
| No. | Part Number | Part Name (POL) | Part Name (ENG) | QTY | IC | Serial No./PIN | Kg | Remarks |
|-----|-------------|--------------------------|---------------------|-----|----|----------------|-------|---------|
| 010 | EG816-04020 | KMP.GETRIEBE GEHAEUSE | COMP.CASE, GEAR | 1 | | | 1.823 | |
| 020 | 15521-96030 | STOPFEN | PLUG | 2 | | | 0.007 | |
| 040 | 15241-32290 | VERBINDUNG STUECK | JOINT,PIPE | 1 | | | 0.053 | |
| 050 | 15841-94010 | SCHEIBE | WASHER,PLAIN | 1 | | | 0.003 | |
| 060 | 16851-36950 | FEDER | SPRING | 1 | | | 0.020 | |
| 070 | 15841-36930 | SITZ,VENTIL | SEAT,VALVE | 1 | | | 0.003 | |
| 080 | 07715-03211 | KUGEL | BALL | 1 | | | 0.003 | |
| 100 | 1G820-04130 | DICHTUNG | GASKET,GEAR CASE | 1 | | | 0.028 | |
| 110 | 01023-50650 | BOLZEN | BOLT,SEMS | 9 | | | 0.012 | |
| 120 | 15841-91010 | BOLZEN | BOLT | 2 | | | 0.014 | |
| 130 | 01023-50680 | BOLZEN | BOLT,SEMS | 1 | | | 0.017 | |
| 140 | 01023-50660 | BOLZEN | BOLT,SEMS | 1 | | | 0.010 | |
| 150 | 01023-50690 | BOLZEN | BOLT,SEMS | 1 | | | 0.019 | |
| 160 | 01754-50650 | SCHRAUBE | BOLT,FLANGE | 1 | | | 0.010 | |
| 165 | 15601-96650 | DICHTUNGSP LATTE | PACKING | 1 | | | 0.001 | |
| 170 | 15877-04140 | OELDICHTUN GSRING | SEAL,OIL | 1 | | | 0.011 | |



BKIDA5209 >> KX019-4 LPG >> MOTOR / ENGINE >> 000500 DECKEL OBEN / HEAD COVER

Update Date : 15-07-2021 Print Date : 06-02-2022

| No. | Part Number | Part Name (POL) | Part Name (ENG) | QTY | IC | Serial No./PIN | Kg | Remarks |
|-----|-------------|-------------------------|----------------------------|-----|----|----------------|-------|---------|
| 010 | EG821-05512 | ROHR | TUBE (BREATHING) | 1 | | | 0.030 | |
| 020 | 16241-73360 | SCHLAUCHBI NDER | BAND,PIPE | 2 | | | 0.003 | |
| 030 | EG815-14500 | ZYLINDERKO PFHAUBE | ASSY COVER,CYL. HEAD | 1 | | | 0.625 | |
| 040 | EG581-05650 | ENTLUFTUN GSROHR | JOINT | 1 | | | 0.016 | |
| 050 | 1A021-05430 | O RING | O RING,BREAT HER | 1 | | | 0.001 | |
| 060 | 1G742-05120 | ENTLUEFTER DECKEL | COVER,BREA THER | 1 | | | 0.035 | |
| 070 | 03024-50510 | SCHRAUBE | SCREW,SEM S(PAN HEAD) | 4 | | | 0.002 | |
| 080 | EG815-14520 | DICHTUNG,K OPFDECKEL | GASKET,HEA D COVER | 1 | | | 0.020 | |
| 090 | 1G911-91022 | BOLZEN | BOLT | 4 | | | 0.015 | |
| 100 | E9151-33140 | OELEINFUEL LSTOPFEN | PLUG(OIL FILLER) | 1 | | | 0.017 | |
| 110 | 1J001-96770 | O RING | O RING | 1 | | | 0.001 | |
| 120 | 19426-87903 | AUFKLEBER | LABEL | 1 | | | 0.001 | |





Download the full PDF manual instantly.

Our customer service e-mail:

aservicemanualpdf@yahoo.com