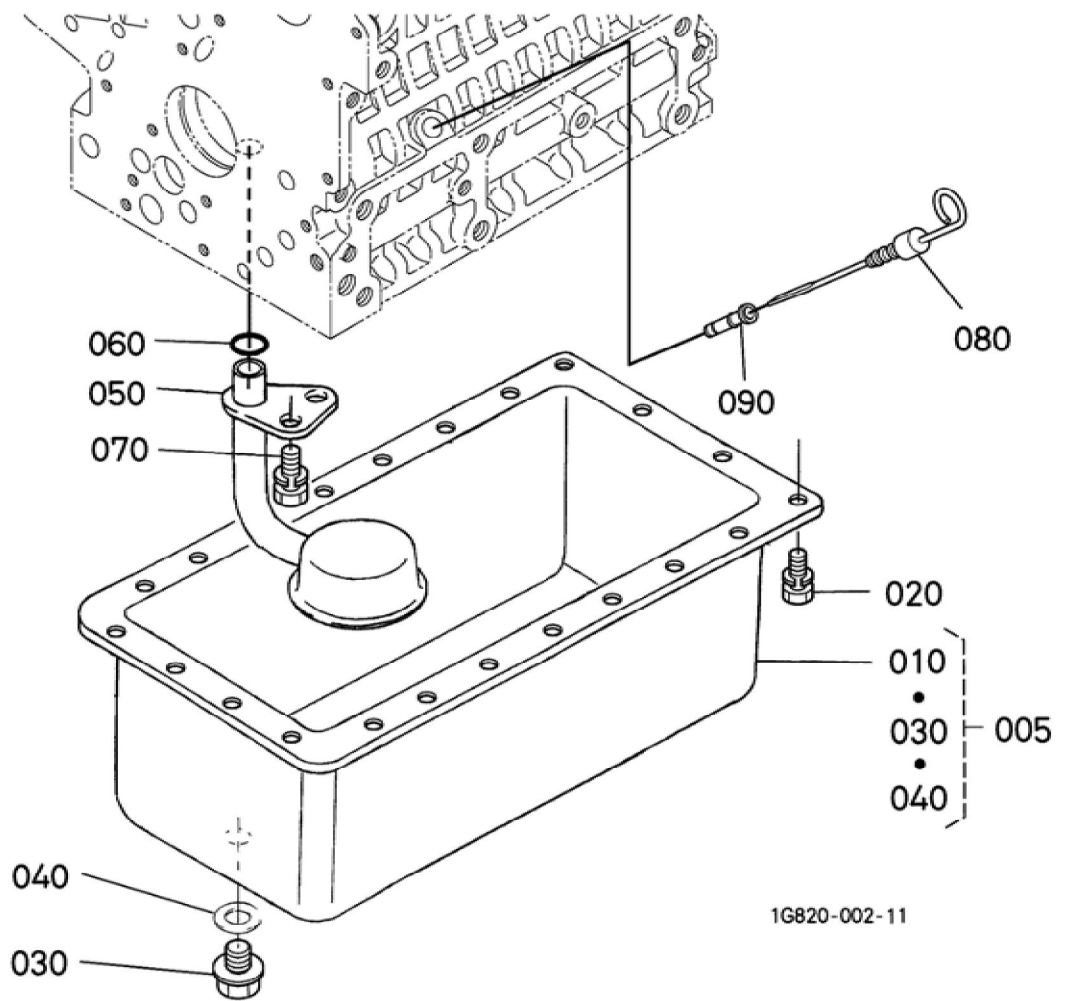


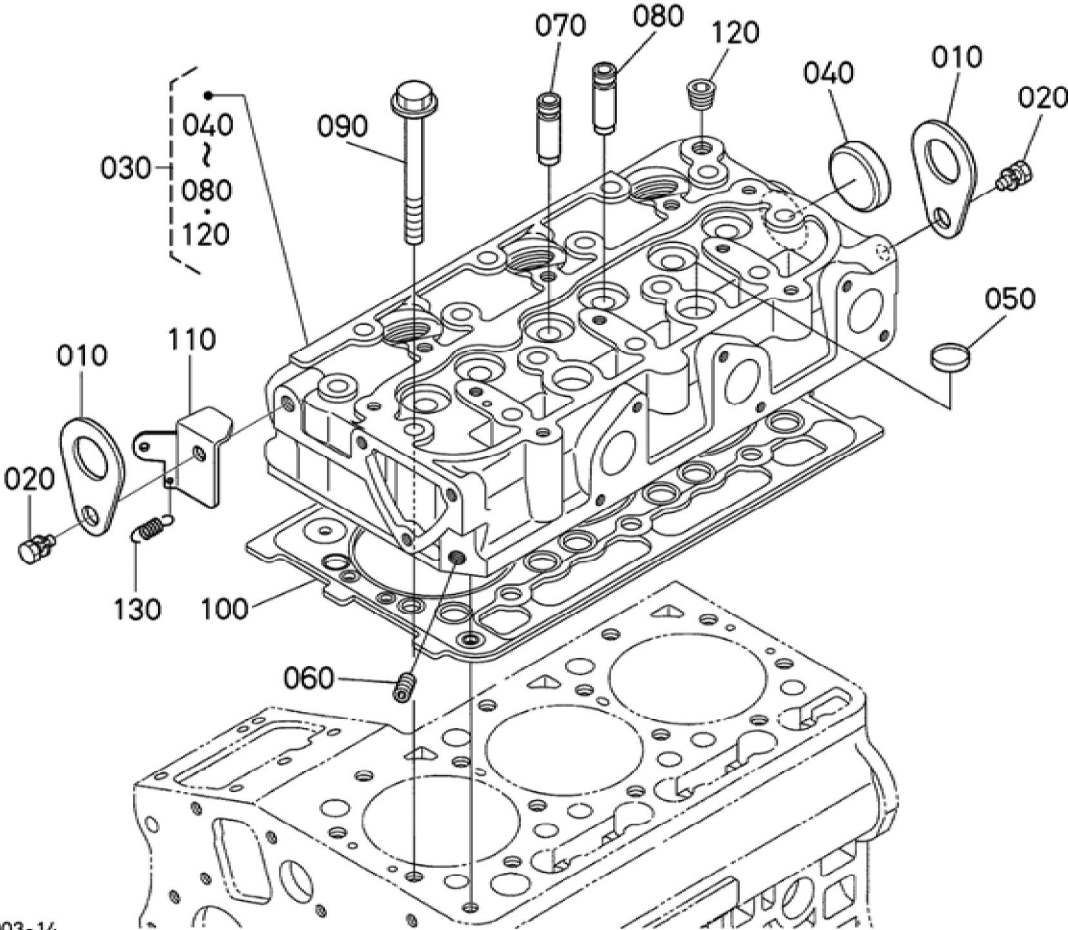
Update Date : 13-03-2020 Print Date : 06-02-2022

No.	Part Number	Part Name (POL)	Part Name (ENG)	QTY	IC	Serial No./PIN	Kg	Remarks
010	1G470-01023	KOMP.KURBELGEHAEUSE	COMP.CRANKCASE	1			23.000	
020	16851-96260	KAPPE	CAP,SEALING	3			0.005	
030	16851-96270	KAPPE	CAP,SEALING	3			0.005	
040	06311-85025	STOEPSSEL,ABDICHTUNG	CAP,SEALING	2			0.010	
050	15451-96270	KAPPE	CAP,SEALING	2			0.010	
060	15261-96010	STOPFEN	PLUG	5			0.002	
070	15521-96020	STOPFEN	PLUG	3			0.003	
080	15521-96030	STOPFEN	PLUG	1			0.007	
090	15261-96160	STOPFEN	PLUG,EXPANSION	1			0.020	
100	05012-00508	ZYLINDERSTIFT	PIN,STRAIGHT	2			0.001	
110	05012-00814	ZYLINDERSTIFT	PIN,STRAIGHT	2			0.006	
120	15221-33650	ROHRSTIFT	PIN,PIPE	1			0.004	
130	17331-59190	ROHRSTIFT	PIN,PIPE	2			0.002	
140	17331-59190	ROHRSTIFT	PIN,PIPE	2			0.002	
150	16851-16212	DECKEL	COVER,FUEL CAMSHAFT	1			0.030	
170	06311-55020	STOPFEN	PLUG	1			0.031	
180	04717-01320	GUMMIUNTERLAGEN	WASHER,SEAL	1			0.002	
190	16851-35012	GRP.OELPUMPE	PUMP,ASSY (OIL)	1			0.240	
200	16851-35152	DICHTUNG,OELPUMPE	GASKET,OIL PUMP NA	1			0.001	
210	15841-91050	BOLZEN	BOLT	3			0.010	
220	1G687-35662	ZAHNRAD	GEAR(OIL PUMP DRIVE)	1			0.070	
230	05712-00408	KEIL	KEY,FEATHER	1			0.001	
240	02771-50100	MUTTER	NUT,FLANGE	1			0.005	
250	1A024-39010	OELDRUCKSCHALTER	SWITCH(OIL)	1			0.035	



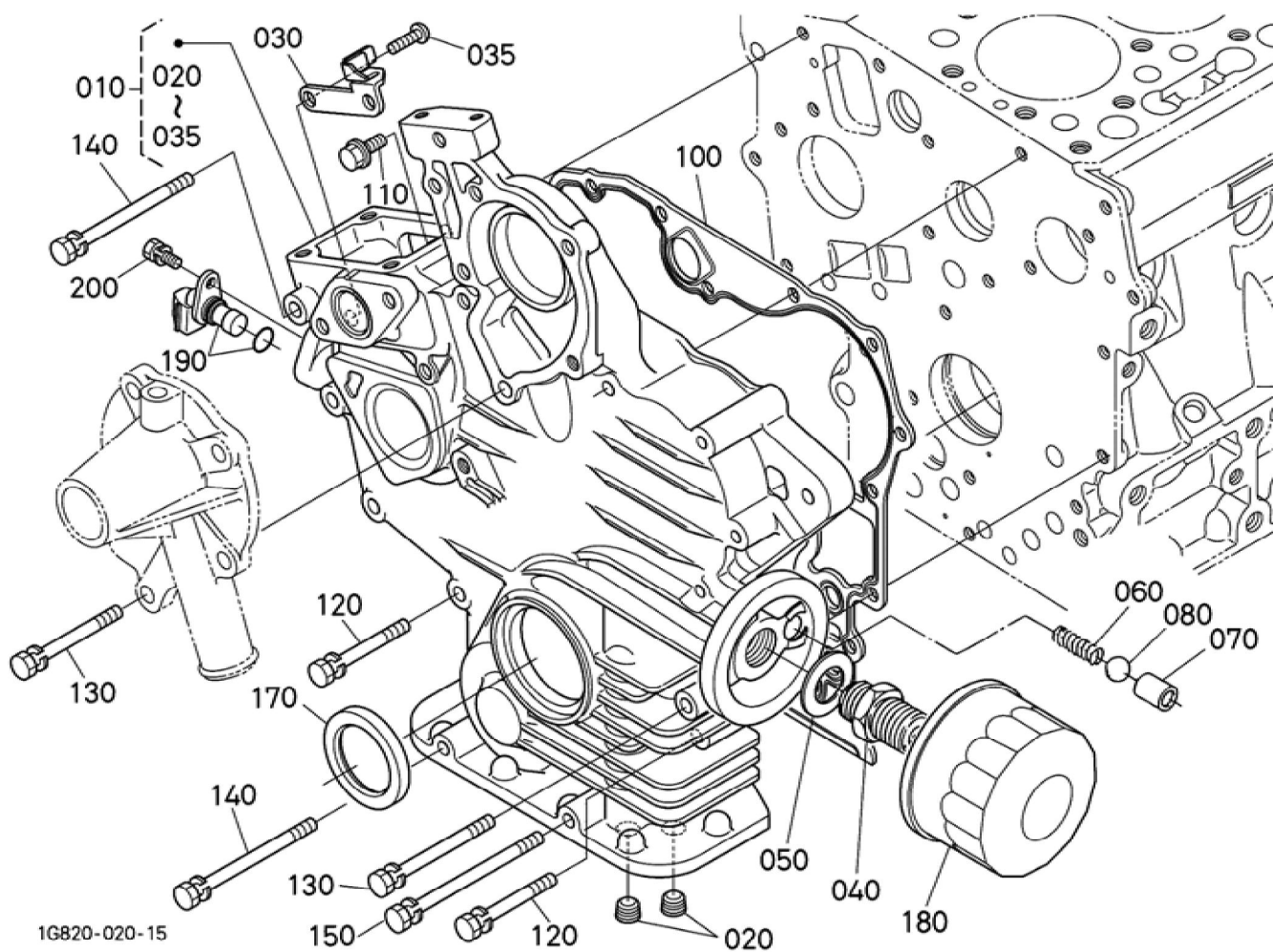
Update Date : 13-03-2020 Print Date : 06-02-2022

No.	Part Number	Part Name (POL)	Part Name (ENG)	QTY	IC	Serial No./PIN	Kg	Remarks
005	1G962-01600	GRP.OELWANNE	PAN,OIL,KIT	1			1.800	
010	1G962-01502	KOMP.OELWANNE	COMP.OIL PAN	1			1.580	
020	01023-50612	BOLZEN	BOLT,SEMS	22			0.005	
030	15707-33750	ENTLEERUNGSSTOPFEN	PLUG(DRAIN)	1			0.095	
040	16265-96670	DICHTUNG	PACKING	1			0.010	
050	16851-32110	OELFILTER	FILTER,OIL	1			0.110	
060	04814-00160	O RING	O RING	1			0.001	
070	01123-50814	BOLZEN	BOLT,SEMS	1			0.010	
080	16829-36410	OELMESSSTAB	GAUGE,OIL	1			0.040	
090	17456-36420	FUEHRUNG, OELMESSSTAB	GUIDE (GAUGE,OIL)	1			0.030	



Update Date : 13-03-2020 Print Date : 06-02-2022

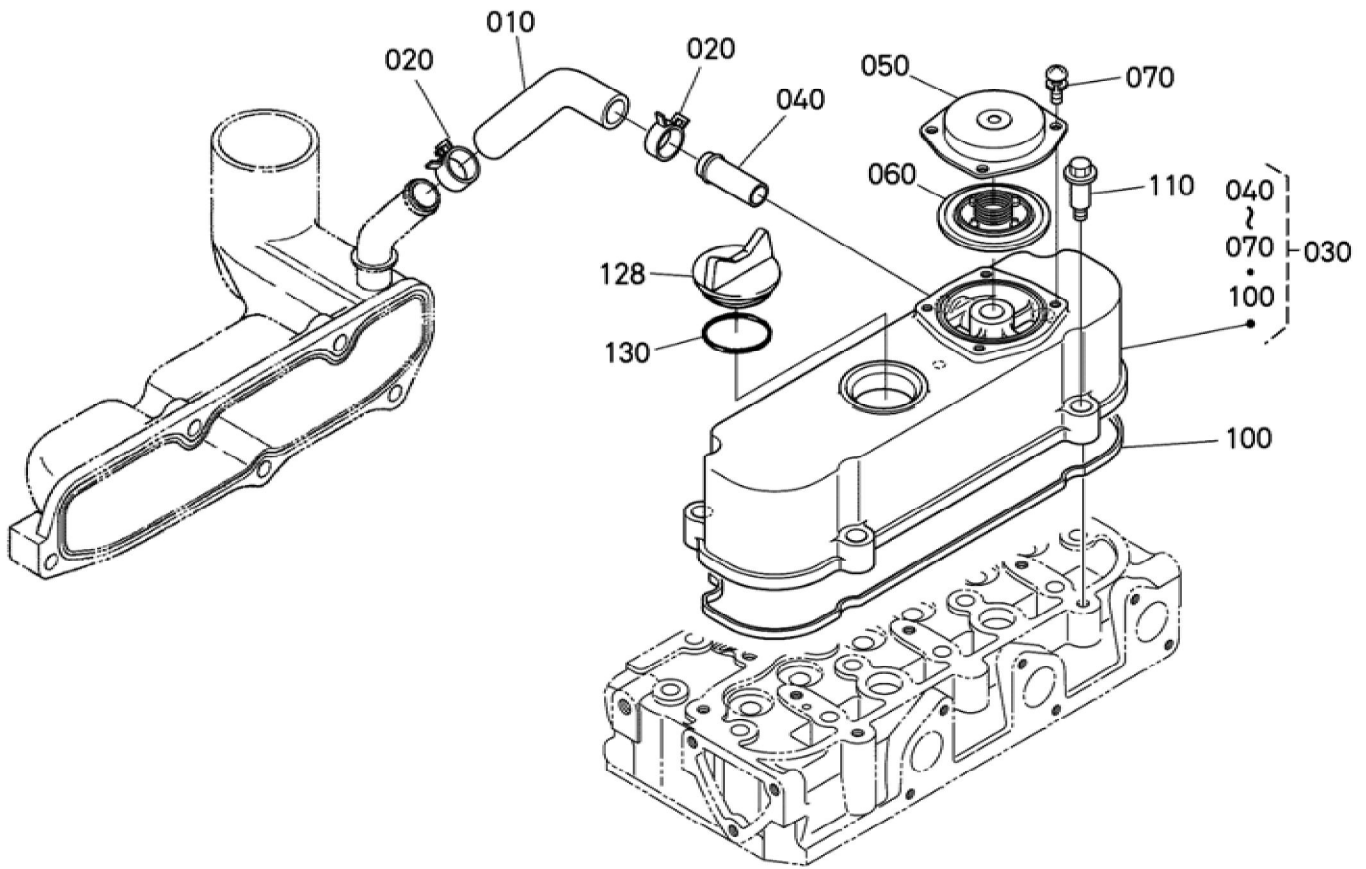
No.	Part Number	Part Name (POL)	Part Name (ENG)	QTY	IC	Serial No./PIN	Kg	Remarks
010	15221-01750	MOTORHAKEN	HOOK,ENGINE	2			0.040	
020	01123-50816	SCHRAUBE	BOLT,SEMS	2			0.011	
030	1G826-03040	KOMP.ZYLINDERKOPF	COMP.CYLINDER HEAD	1			8.700	
040	15321-96260	KAPPE	CAP,SEALING	1			0.014	
050	15261-03370	STOEPSEL,ABDICHTUNG	CAP,SEALING	2			0.005	
060	15261-96010	STOPFEN	PLUG	1			0.002	
070	15841-13540	EINLASSVENTILFUEHRUNG	GUIDE,VALVE (INLET)	3			0.014	
080	15841-13560	AUSLASSVENTILFUEHRUNG	GUIDE (EXHAUST VALVE)	3			0.014	
090	14601-03450	ZYLINDERKOPFSCHRAUBE	BOLT,HEAD (CYLINDER)	14			0.035	
100	1G962-03313	ZYLINDERKOPFDICHTUNG	GASKET,CYL. HEAD	1			0.060	
110	16667-57692	STREBE	STAY	1			0.100	
120	1G090-96010	STECKER	PLUG	1			0.003	
130	19837-57923	RUECKZUGFEDER	SPRING,RETURN	1			0.005	



Update Date : 13-03-2020 Print Date : 06-02-2022

No.	Part Number	Part Name (POL)	Part Name (ENG)	QTY	IC	Serial No./PIN	Kg	Remarks
010	1G820-04024	KMP.GETRIEBE GEHAEUSE	COMP.CASE, GEAR	1			2.040	
020	15521-96030	STOPFEN	PLUG	2			0.007	
030	1G820-56282	STREBE, STARTERFEDER	STAY,START SPRING	1			0.002	
035	16861-93310	SCHRAUBE	SCREW	2			0.001	
040	15241-32290	VERBINDUNG SSTUECK	JOINT,PIPE	1			0.053	
050	15841-94010	SCHEIBE	WASHER,PLAIN	1			0.003	
060	16851-36950	FEDER	SPRING	1			0.020	
070	15841-36930	SITZ,VENTIL	SEAT,VALVE	1			0.003	
080	07715-03211	KUGEL	BALL	1			0.003	
100	1G820-04130	DICHTUNG	GASKET,GEAR CASE	1			0.028	
110	01754-50616	SCHRAUBE	BOLT,FLANGE	1			0.006	
120	01023-50650	BOLZEN	BOLT,SEMS	9			0.012	
130	15841-91010	BOLZEN	BOLT	2			0.014	
140	01023-50680	BOLZEN	BOLT,SEMS	2			0.017	
150	01023-50690	BOLZEN	BOLT,SEMS	1			0.019	
170	1J094-04140	OELDICHTUNG GSRING	SEAL,OIL	1			0.013	
180	HH150-32430	OELFILTERP ATRONE	FILTER (CARTRIDGE, OIL)	1			0.200	
190	1G171-59660	DREHZAHL SENSOR	SENSOR (REVOLUTION)	1			0.020	
200	01023-50616	BOLZEN	BOLT,SEMS	1			0.006	

Update Date : 13-03-2020 Print Date : 06-02-2022

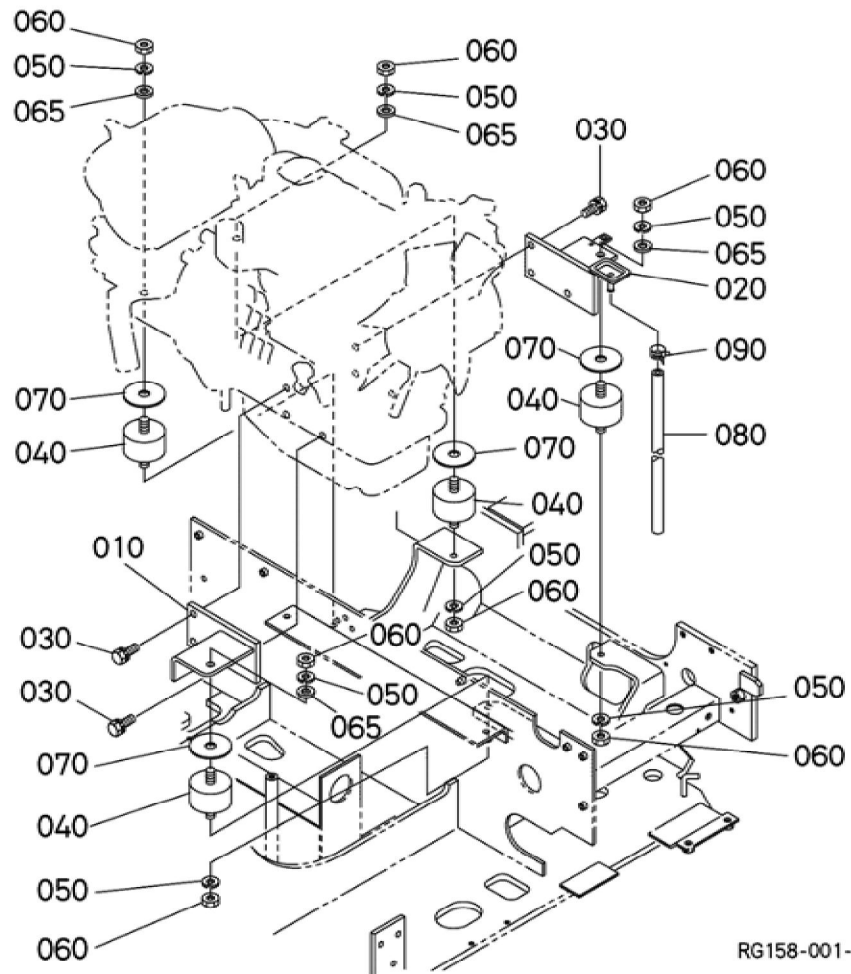


BKIDA5166 >> KX018-4(S/N;70001-) >> MOTOR / ENGINE >> S00500 VENTILDECKEL / HEAD COVER

Update Date : 13-03-2020 Print Date : 06-02-2022

No.	Part Number	Part Name (POL)	Part Name (ENG)	QTY	IC	Serial No./PIN	Kg	Remarks
010	1G960-05514	ROHR	TUBE (BREATHER)	1			0.008	
020	09318-88125	SCHLAUCHS CHELLE	CLAMP,HOSE	2			0.001	
030	1G960-14505	VENTILDECK EL	HEAD COVER,ASSY	1			0.640	
040	16241-73370	ROHR	PIPE,WATER RETURN	1			0.007	
050	1G801-05120	ENTLUEFTER DECKEL	COVER,BREA THER	1			0.035	
060	1G911-05203	ENTLUEFTER	COMP VALVE,BREA THER	1			0.010	
070	03024-50510	SCHRAUBE	SCREW,SEM S(PAN HEAD)	4			0.002	
100	1G962-14522	VENTILDECK ELDICHTUNG	GASKET,HEA D COVER	1			0.007	
110	1G911-91022	BOLZEN	BOLT	4			0.015	
128	E9151-33140	OELEINFUEL LSTOPFEN	PLUG(OIL FILLER)	1			0.017	
130	1J001-96770	O RING	O RING	1			0.001	

Update Date : 13-03-2020 Print Date : 06-02-2022





Download the full PDF manual instantly.

Our customer service e-mail:

aservicemanualpdf@yahoo.com