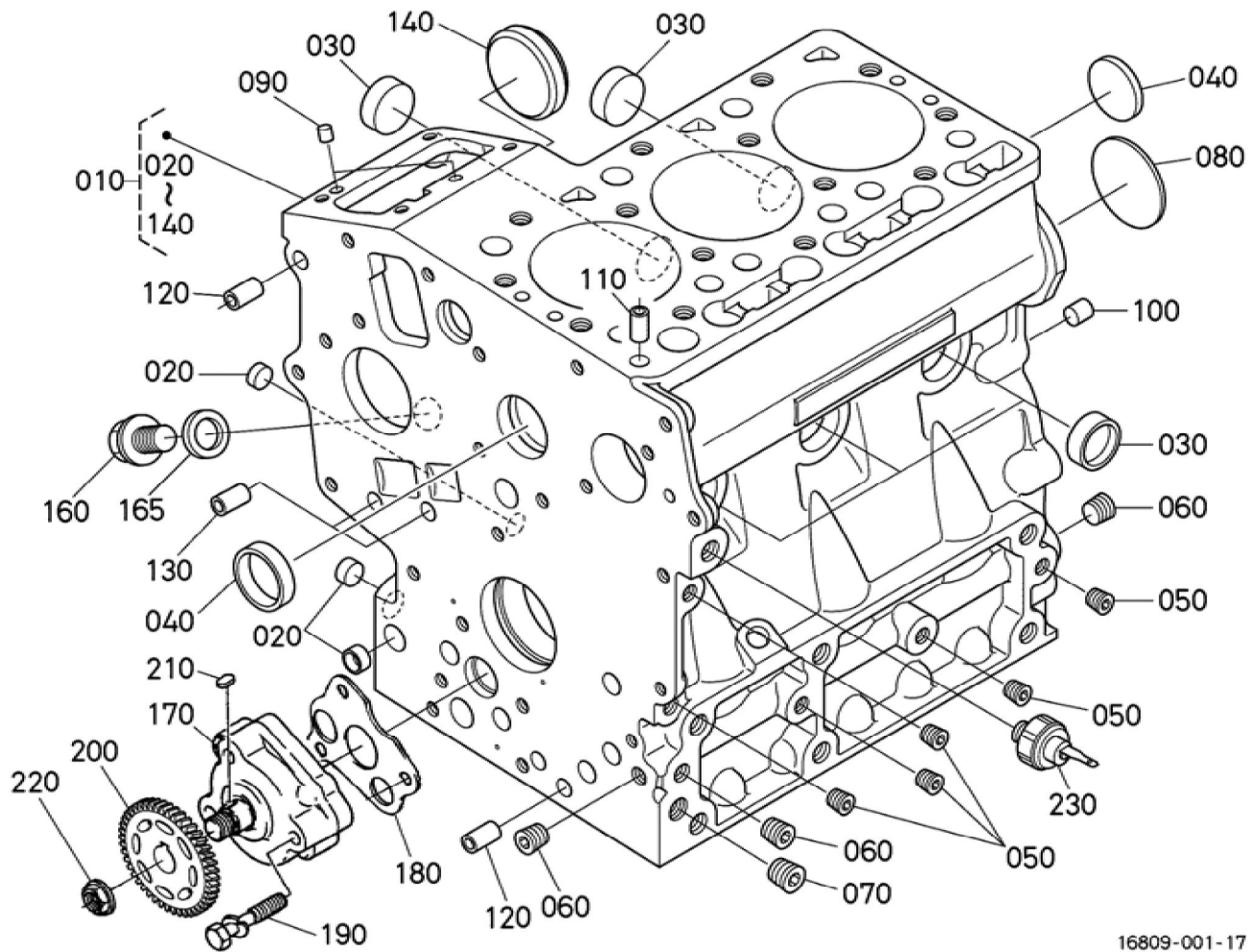
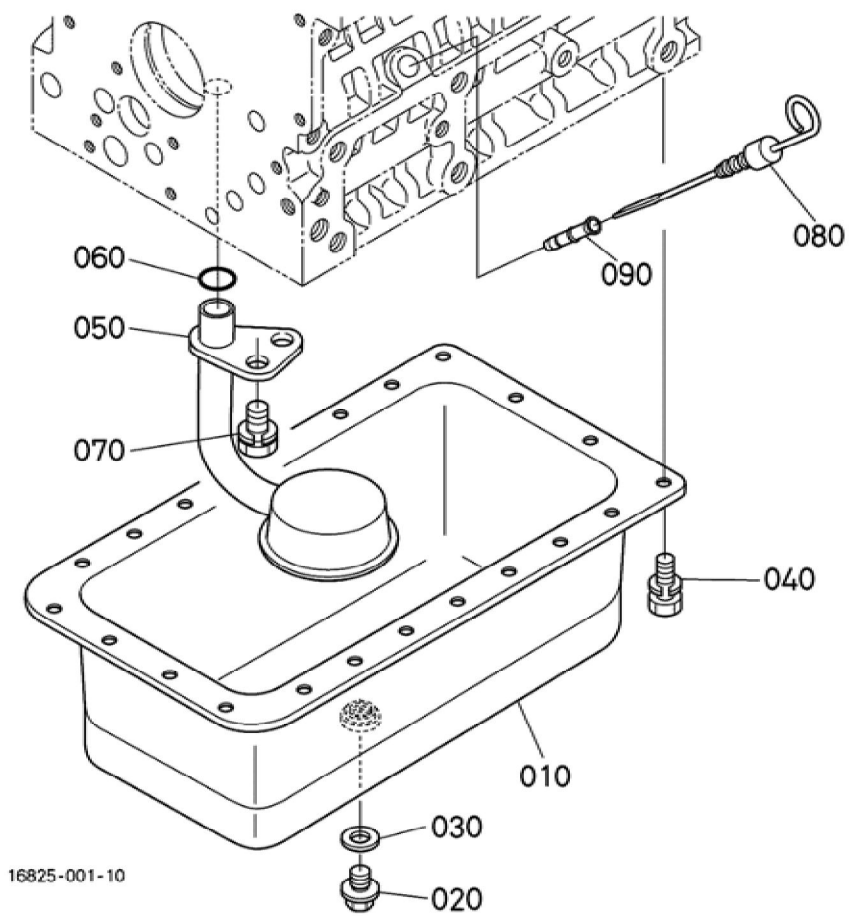


Update Date : 27-04-2020 Print Date : 05-02-2022



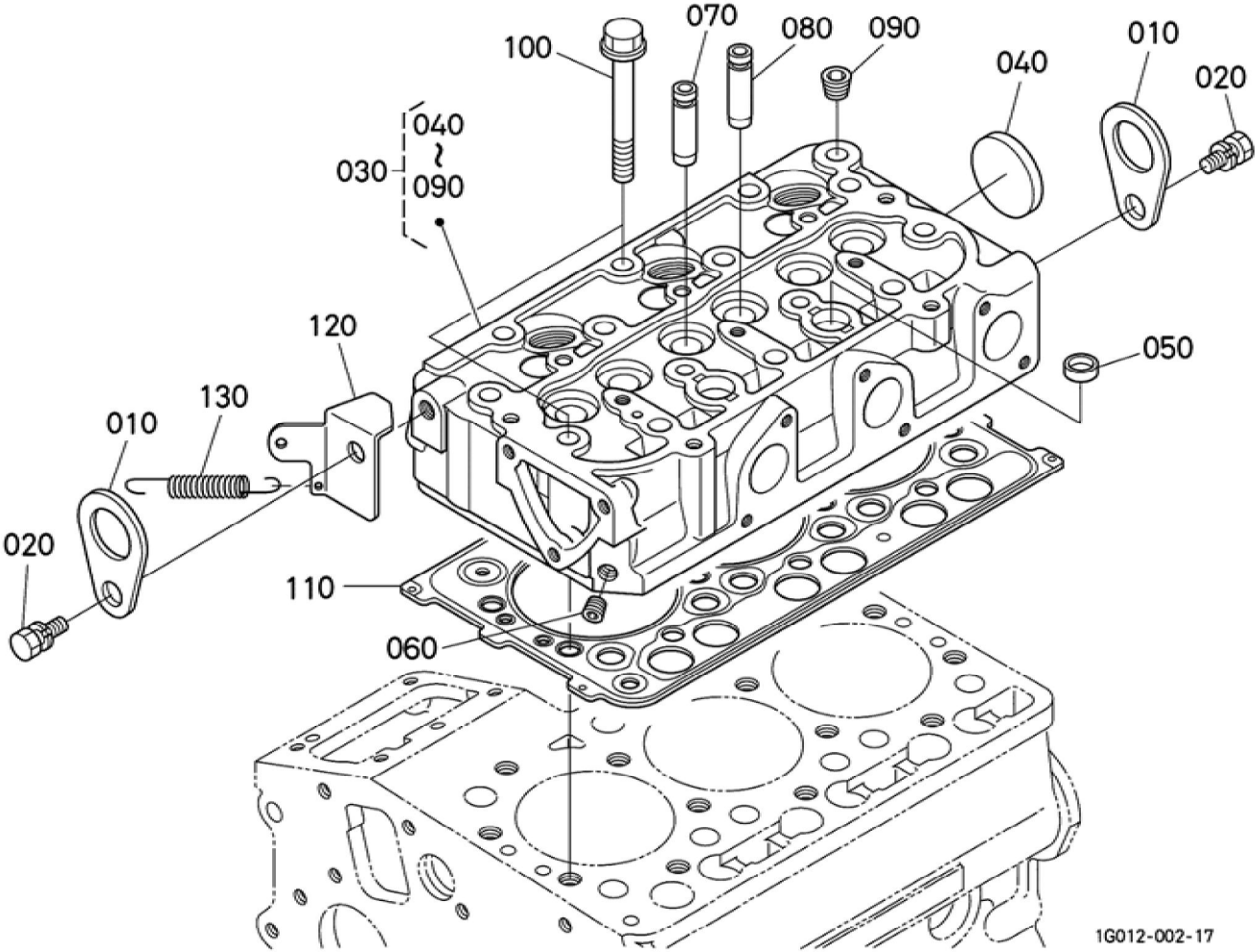
Update Date : 27-04-2020 Print Date : 05-02-2022

No.	Part Number	Part Name (POL)	Part Name (ENG)	QTY	IC	Serial No./PIN	Kg	Remarks
010	1J093-01022	KOMP.KURBELGHAEUSE	CRANKCASE, COMP	1			20.000	
020	16851-96260	KAPPE	CAP,SEALING	3			0.005	
030	16851-96270	KAPPE	CAP,SEALING	5			0.005	
040	15451-96270	KAPPE	CAP,SEALING	2			0.010	
050	15261-96010	STOPFEN	PLUG	5			0.002	
060	15521-96020	STOPFEN	PLUG	3			0.003	
070	15521-96030	STOPFEN	PLUG	1			0.007	
080	15261-96160	STOPFEN	PLUG,EXPANSION	1			0.020	
090	05012-00508	ZYLINDERSTIFT	PIN,STRAIGHT	2			0.001	
100	05012-00814	ZYLINDERSTIFT	PIN,STRAIGHT	2			0.006	
110	15221-33650	ROHRSTIFT	PIN,PIPE	1			0.004	
120	17331-59190	ROHRSTIFT	PIN,PIPE	2			0.002	
130	17331-59190	ROHRSTIFT	PIN,PIPE	2			0.002	
140	16851-16212	DECKEL	COVER,FUELCAMSHAFT	1			0.030	
160	06311-55020	STOPFEN	PLUG	1			0.031	
165	04717-01320	GUMMIUNTERLAGE	WASHER,SEAL	1			0.002	
170	16851-35012	GRP.OELPUMPE	PUMP,ASSY(OIL)	1			0.240	
180	16851-35152	DICHTUNG,OELPUMPE	GASKET,OILPUMP NA	1			0.001	
190	15841-91050	BOLZEN	BOLT	3			0.010	
200	1G687-35662	ZAHNRAD	GEAR(OILPUMP DRIVE)	1			0.070	
210	05712-00408	KEIL	KEY,FEATHER	1			0.001	
220	02771-50100	MUTTER	NUT,FLANGE	1			0.005	
230	1A024-39010	OELDRUCKSCHALTER	SWITCH(OIL)	1			0.035	



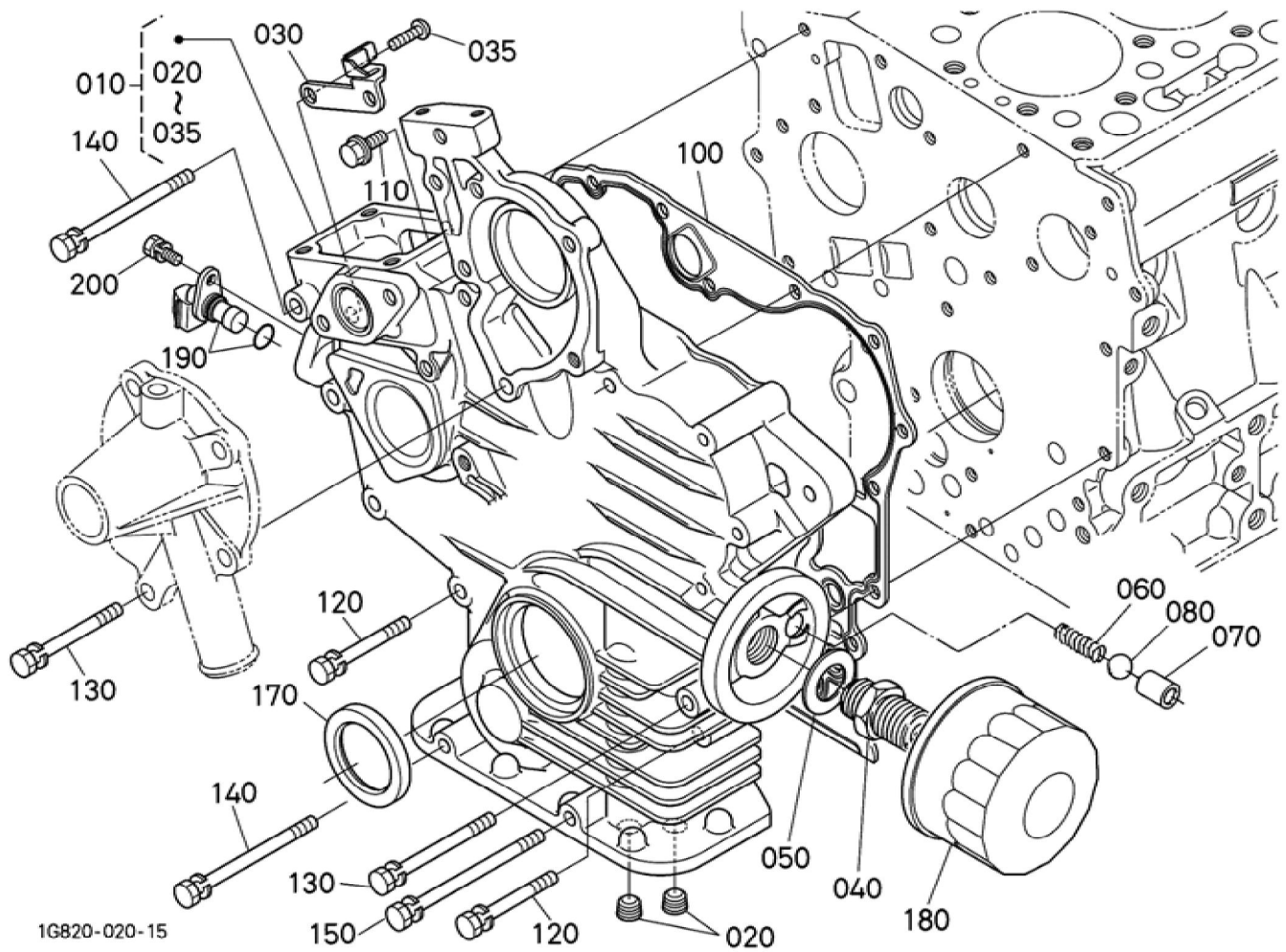
Update Date : 27-04-2020 Print Date : 05-02-2022

No.	Part Number	Part Name (POL)	Part Name (ENG)	QTY	IC	Serial No./PIN	Kg	Remarks
010	15881-01500	KOMP.OELW ANNE	COMP.OIL PAN	1			1.350	
020	13901-33750	ENTLEERUN GSSTOPFEN	PLUG,DRAIN	1			0.025	
030	6C090-58960	DICHTUNGSP LATTE	GASKET	1			0.005	
040	01023-50612	BOLZEN	BOLT,SEMS	22			0.005	
050	16851-32110	OELFILTER	FILTER,OIL	1			0.110	
060	04814-00160	O RING	O RING	1			0.001	
070	01123-50814	BOLZEN	BOLT,SEMS	1			0.010	
080	1E051-36412	OELMESSST AB	GAUGE,OIL	1			0.048	
090	17456-36420	FUEHRUNG, OELMESSST AB	GUIDE (GAUGE,OIL)	1			0.030	



Update Date : 27-04-2020 Print Date : 05-02-2022

No.	Part Number	Part Name (POL)	Part Name (ENG)	QTY	IC	Serial No./PIN	Kg	Remarks
010	15221-01750	MOTORHAKEN	HOOK,ENGINE	2			0.040	
020	01123-50816	SCHRAUBE	BOLT,SEMS	2			0.011	
030	1J093-03040	KOMP.ZYLINDERKOPF	HEAD,CYLINDER,COMP	1			7.300	
040	15321-96260	KAPPE	CAP,SEALING	1			0.014	
050	15261-03370	STOEPSEL,ABDICHTUNG	CAP,SEALING	2			0.005	
060	15261-96010	STOPFEN	PLUG	1			0.002	
070	15841-13540	EINLASSVENTILFUEHRUNG	GUIDE,VALVE (INLET)	3			0.014	
080	15841-13560	AUSLASSVENTILFUEHRUNG	GUIDE (EXHAUST VALVE)	3			0.014	
090	1G090-96010	STECKER	PLUG	1			0.003	
100	14601-03450	ZYLINDERKOPFSCHRAUBE	BOLT,HEAD (CYLINDER)	14			0.035	
110	1J092-03310	ZYLINDERKOPFDICHTUNG	GASKET (CYL.HEAD)	1			0.135	
120	16667-57692	STREBE	STAY	1			0.100	
130	19837-57923	RUECKZUGFEDER	SPRING,RETURN	1			0.005	

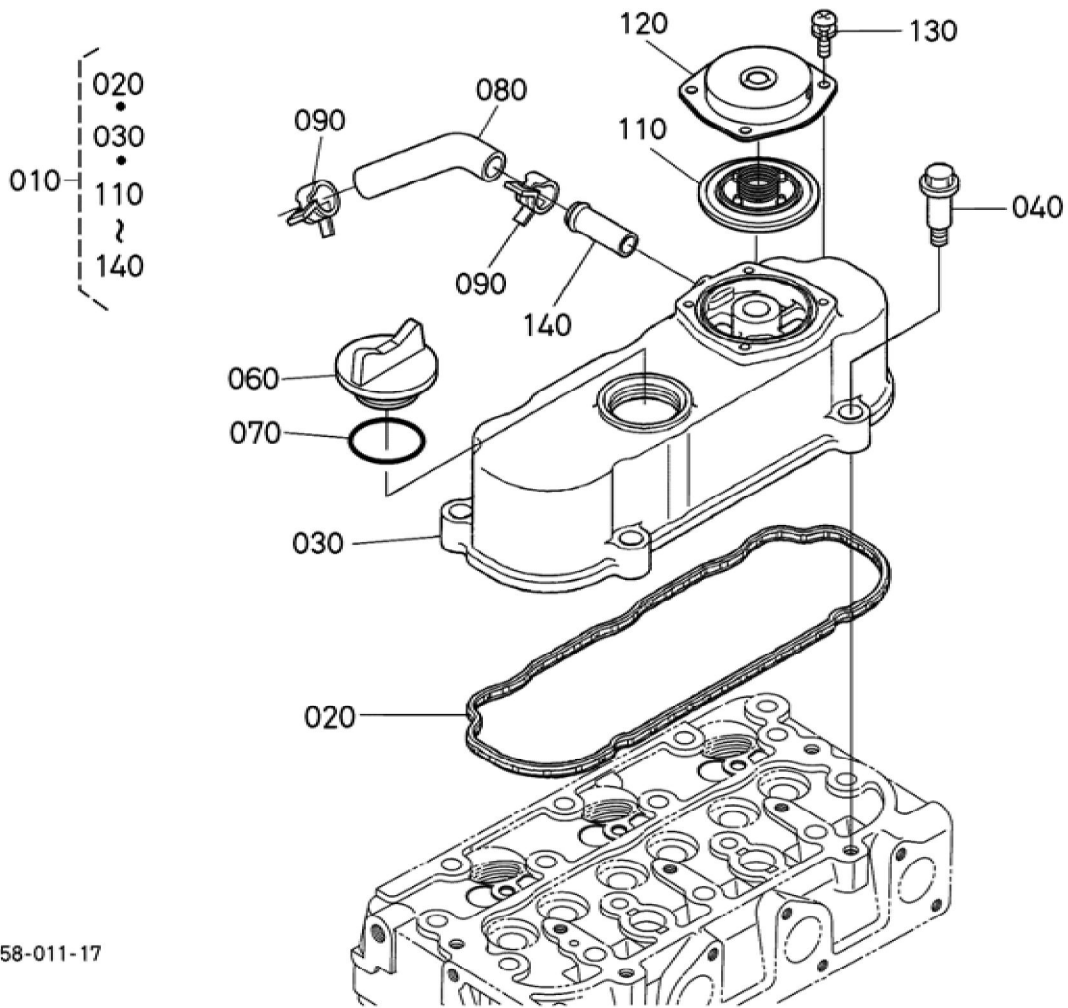


Update Date : 27-04-2020 Print Date : 05-02-2022

No.	Part Number	Part Name (POL)	Part Name (ENG)	QTY	IC	Serial No./PIN	Kg	Remarks
010	1G820-04024	KMP.GETRIEBE GEHAEUSE	COMP.CASE, GEAR	1			2.040	
020	15521-96030	STOPFEN	PLUG	2			0.007	
030	1G820-56282	STREBE, STARTERFEDER	STAY,START SPRING	1			0.002	
035	16861-93310	SCHRAUBE	SCREW	2			0.001	
040	15241-32290	VERBINDUNG SSTUECK	JOINT,PIPE	1			0.053	
050	15841-94010	SCHEIBE	WASHER,PLAIN	1			0.003	
060	16851-36950	FEDER	SPRING	1			0.020	
070	15841-36930	SITZ,VENTIL	SEAT,VALVE	1			0.003	
080	07715-03211	KUGEL	BALL	1			0.003	
100	1G820-04130	DICHTUNG	GASKET,GEAR CASE	1			0.028	
110	01754-50616	SCHRAUBE	BOLT,FLANGE	1			0.006	
120	01023-50650	BOLZEN	BOLT,SEMS	9			0.012	
130	15841-91010	BOLZEN	BOLT	2			0.014	
140	01023-50680	BOLZEN	BOLT,SEMS	2			0.017	
150	01023-50690	BOLZEN	BOLT,SEMS	1			0.019	
170	1J094-04140	OELDICHTUNG GSRING	SEAL,OIL	1			0.013	
180	1J090-32430	OELFILTERP ATRONE	FILTER (OIL,CARTRIDGE)	1			0.238	
190	1G171-59660	DREHZAHL SENSOR	SENSOR (REVOLUTION)	1			0.020	
200	01023-50616	BOLZEN	BOLT,SEMS	1			0.006	



Update Date : 27-04-2020 Print Date : 05-02-2022

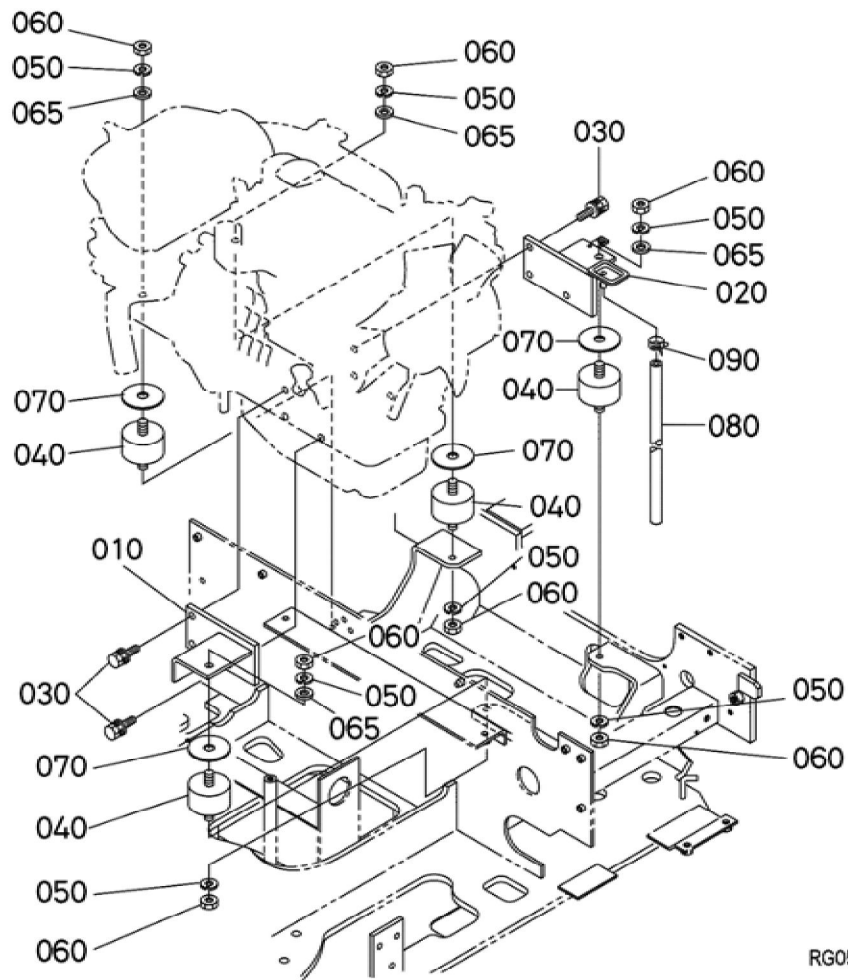


## BKIDA5169 &gt;&gt; KX016-4(S/N;70001-) &gt;&gt; MOTOR / ENGINE &gt;&gt; S00500 VENTILDECKEL / HEAD COVER

Update Date : 27-04-2020 Print Date : 05-02-2022

No.	Part Number	Part Name (POL)	Part Name (ENG)	QTY	IC	Serial No./PIN	Kg	Remarks
010	1G958-14504	VENTILDECKEL	COVER,CYL.HEAD	1			0.600	
020	1G958-14520	VENTILDECKELDICHUNG	GASKET,HEAD COVER	1			0.009	
030	1G958-14512	VENTILDECKEL	COVER,CYL.HEAD	1			0.510	
040	1G911-91022	BOLZEN	BOLT	4			0.015	
060	E9151-33140	OELEINFUELLSTOPFEN	PLUG(OIL FILLER)	1			0.017	
070	1J001-96770	O RING	O RING	1			0.001	
080	1G960-05514	ROHR	TUBE (BREATHER)	1			0.008	
090	09318-88125	SCHLAUCHSCHELLE	CLAMP,HOSE	2			0.001	
110	1G911-05203	ENTLUEFTER	COMP VALVE,BREATHER	1			0.010	
120	1G801-05120	ENTLUEFTERDECKEL	COVER,BREATHER	1			0.035	
130	03024-50510	SCHRAUBE	SCREW,SEMS(PAN HEAD)	4			0.002	
140	16241-73370	ROHR	PIPE,WATER RETURN	1			0.007	

Update Date : 27-04-2020 Print Date : 05-02-2022





**Download the full PDF manual instantly.**

**Our customer service e-mail:**

**[aservicemanualpdf@yahoo.com](mailto:aservicemanualpdf@yahoo.com)**