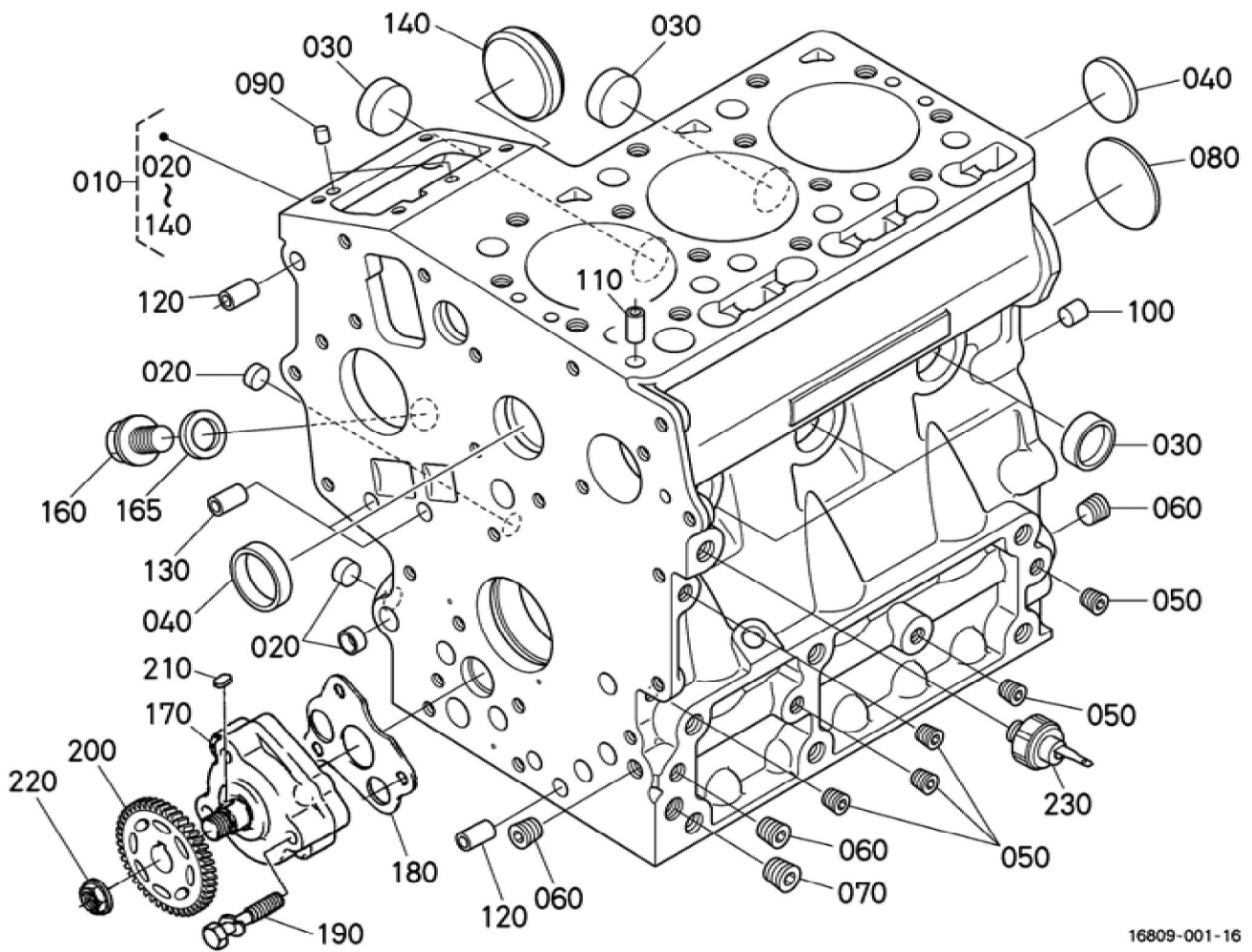


Update Date : 14-05-2021 Print Date : 04-02-2022



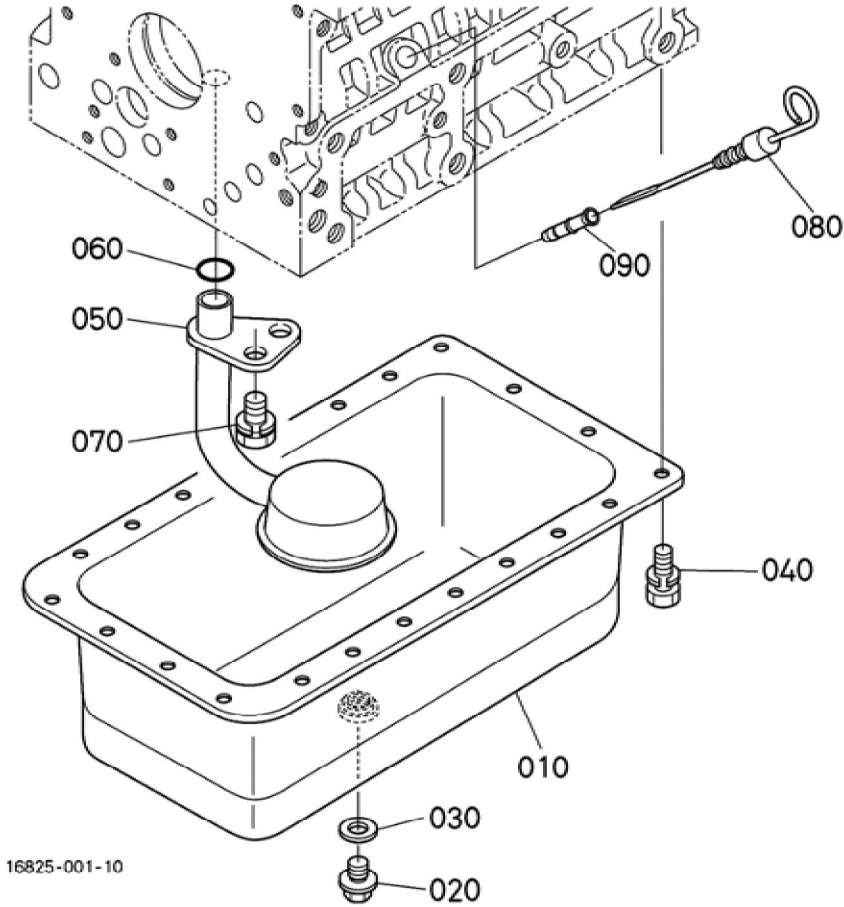
Update Date : 14-05-2021 Print Date : 04-02-2022

No.	Part Number	Part Name (POL)	Part Name (ENG)	QTY	IC	Serial No./PIN	Kg	Remarks
010	16809-01020	KOMP.KURBELGEHAEUSE	COMP.CRANKCASE	1		<=4CPZ999	20.000	
010	16809-01022	KOMP.KURBELGEHAEUSE	COMP.CRANKCASE	1	>>	>=4CQ0001	20.000	
010	1J093-01020	KOMP.KURBELGEHAEUSE	CRANKCASE, COMP	1	NI	>=4CW0001	20.000	
010	1J093-01022	KOMP.KURBELGEHAEUSE	CRANKCASE, COMP	1	>>	>=4GS0001	20.000	
020	16851-96260	KAPPE	CAP,SEALING	3			0.005	
030	16851-96270	KAPPE	CAP,SEALING	5			0.005	
040	15451-96270	KAPPE	CAP,SEALING	2			0.010	
050	15261-96010	STOPFEN	PLUG	5			0.002	
060	15521-96020	STOPFEN	PLUG	3			0.003	
070	15521-96030	STOPFEN	PLUG	1			0.007	
080	15261-96160	STOPFEN	PLUG,EXPANSION	1			0.020	
090	05012-00508	ZYLINDERSTIFT	PIN,STRAIGHT	2			0.001	
100	05012-00814	ZYLINDERSTIFT	PIN,STRAIGHT	2			0.006	
110	15221-33650	ROHRSTIFT	PIN,PIPE	1			0.004	
120	15231-33960	ROHRSTIFT	PIN,PIPE	2		<=4CPZ999	0.001	
120	17331-59190	ROHRSTIFT	PIN,PIPE	2	>>	>=4CQ0001	0.002	
130	15231-33960	ROHRSTIFT	PIN,PIPE	2		<=4CPZ999	0.001	
130	17331-59190	ROHRSTIFT	PIN,PIPE	2	>>	>=4CQ0001	0.002	
140	16851-16212	DECKEL	COVER,FUELCAMSHAFT	1			0.030	
160	06311-55020	STOPFEN	PLUG	1			0.031	
165	04717-01320	GUMMIUNTERLAGE	WASHER,SEAL	1			0.002	
170	16851-35012	GRP.OELPUMPE	PUMP,ASSY(OIL)	1			0.240	
180	16851-35152	DICHTUNG,OELPUMPE	GASKET,OILPUMP NA	1			0.001	
190	15841-91050	BOLZEN	BOLT	3			0.010	
200	15841-35660	ZAHNRAD	GEAR(OILPUMP DRIVE)	1		<=4DKZ999	0.113	

BKIDA5043 >> KX016-4(S/N;50001-69999) >> MOTOR / ENGINE >> S00100 KURBELGHAUSE / CRANKCASE

Update Date : 14-05-2021 Print Date : 04-02-2022

No.	Part Number	Part Name (POL)	Part Name (ENG)	QTY	IC	Serial No./PIN	Kg	Remarks
200	1G687-35660	ZAHNRAD	GEAR(OIL PUMP DRIVE)	1	>>	>=4DL0001	0.070	
200	1G687-35662	ZAHNRAD	GEAR(OIL PUMP DRIVE)	1	>>	>=4EE0001	0.070	
210	05712-00408	KEIL	KEY,FEATHER	1			0.001	
220	02783-50100	MUTTER	NUT,FLANGE	1		<=4EZZ999	0.010	
220	02771-50100	MUTTER	NUT,FLANGE	1	>>	>=4FA0001	0.005	
230	1A024-39010	OELDRUCKSCHALTER	SWITCH(OIL)	1			0.035	

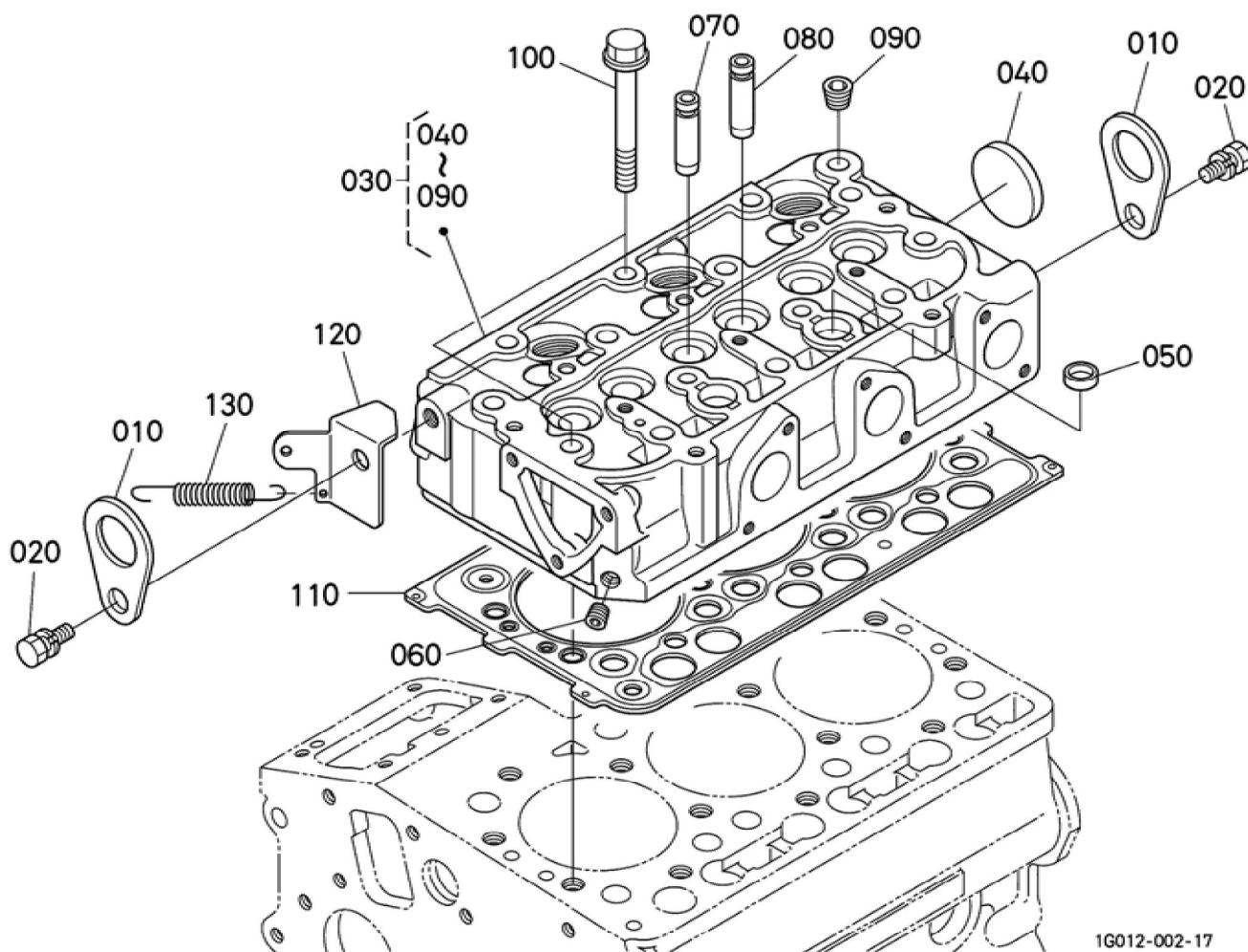


BKIDA5043 >> KX016-4(S/N;50001-69999) >> MOTOR / ENGINE >> S00200 OELWANNE / OIL PAN

Update Date : 14-05-2021 Print Date : 04-02-2022

No.	Part Number	Part Name (POL)	Part Name (ENG)	QTY	IC	Serial No./PIN	Kg	Remarks
010	15881-01500	KOMP.OELW ANNE	COMP.OIL PAN	1			1.350	
020	13901-33750	ENTLEERUN GSSTOPFEN	PLUG,DRAIN	1			0.025	
030	6C090-58960	DICHTUNGSP LATTE	GASKET	1			0.005	
040	01023-50614	BOLZEN	BOLT,SEMS	22		<=4CXZ999	0.005	
040	01023-50612	BOLZEN	BOLT,SEMS	22	>>	>=4CY0001	0.005	
050	16851-32110	OELFILTER	FILTER,OIL	1			0.110	
060	04814-00160	O RING	O RING	1			0.001	
070	01123-50814	BOLZEN	BOLT,SEMS	1			0.010	
080	1E051-36412	OELMESSST AB	GAUGE,OIL	1			0.048	
090	17456-36420	FUEHRUNG, OELMESSST AB	GUIDE (GAUGE,OIL)	1			0.030	

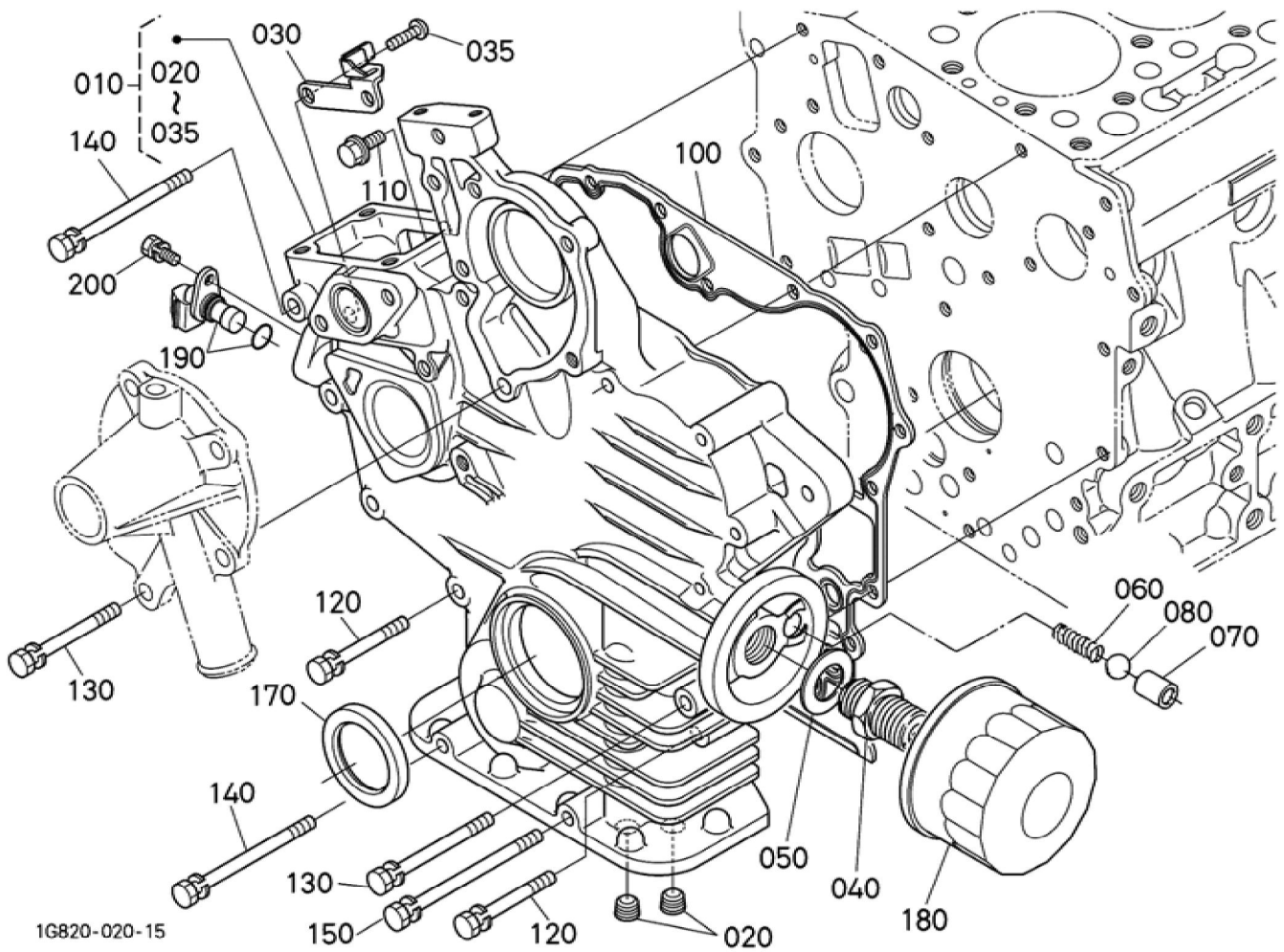
Update Date : 14-05-2021 Print Date : 04-02-2022



Update Date : 14-05-2021 Print Date : 04-02-2022

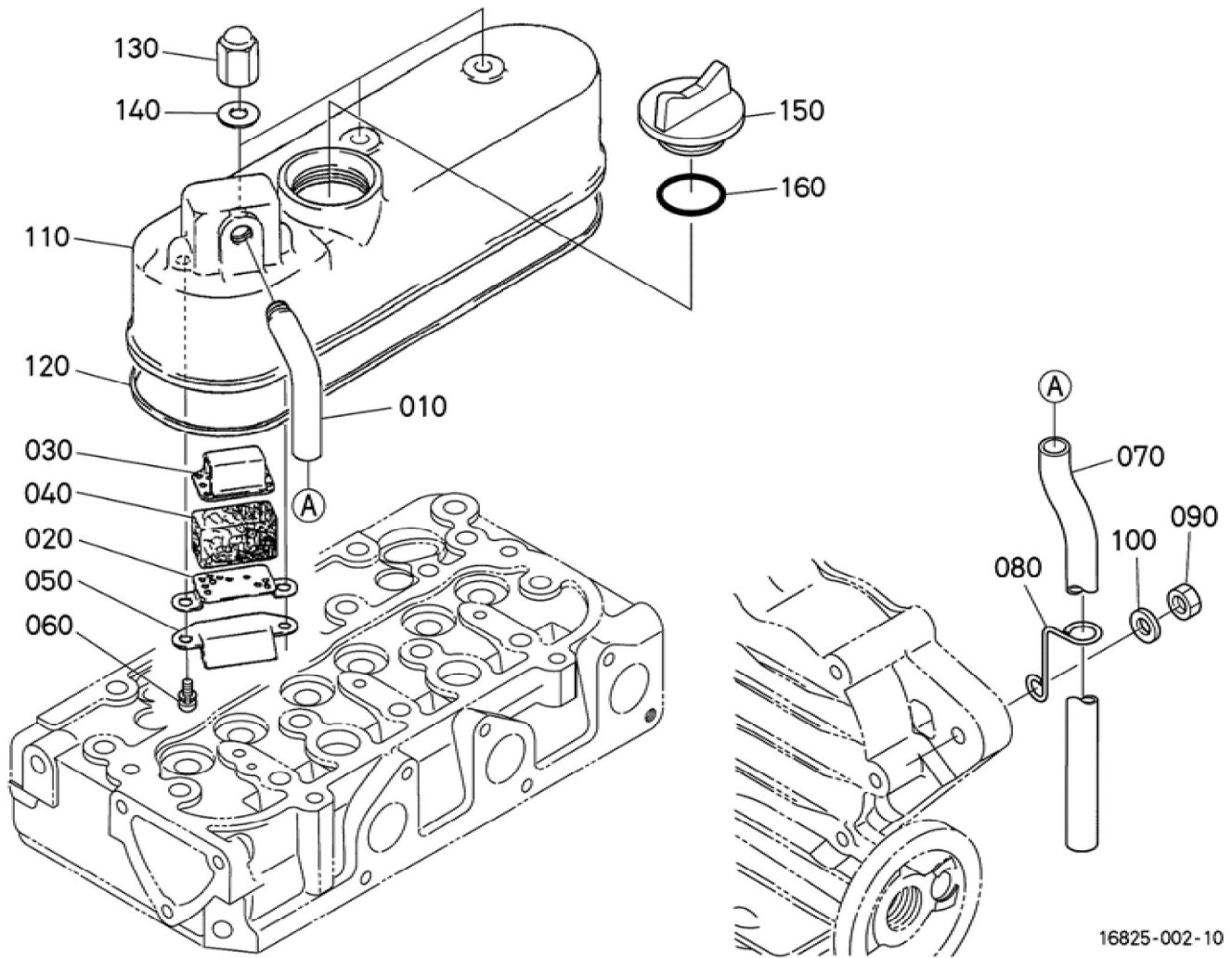
No.	Part Number	Part Name (POL)	Part Name (ENG)	QTY	IC	Serial No./PIN	Kg	Remarks
010	15221-01750	MOTORHAKE N	HOOK,ENGIN E	2			0.040	
020	01123-50816	SCHRAUBE	BOLT,SEMS	2			0.011	
030	1G008-03046	KOMP.ZYLIN DERKOPF	HEAD,CYL,C OMP	1		<=4CVZ999	7.300	ORDER BY REF.No.030,1 10 NEW PARTS(SET)
030	1A303-03040	KOMP.ZYLIN DERKOPF	HEAD,CYLIN DER,COMP	1	NI	>=4CW0001	7.040	
040	15321-96260	KAPPE	CAP,SEALING	1			0.014	
050	15261-03370	STOEPSEL,A BDICHTUNG	CAP,SEALING	2			0.005	
060	15261-96010	STOPFEN	PLUG	1			0.002	
070	15841-13540	EINLASSVEN TILFUEHRUN G	GUIDE,VALVE (INLET)	3			0.014	
080	15841-13560	AUSLASSVEN TILFUEHRUN G	GUIDE (EXHAUST VALVE)	3			0.014	
090	1G090-96010	STECKER	PLUG	1			0.003	
100	14601-03450	ZYLINDERKO PFSCHRAUB E	BOLT,HEAD (CYLINDER)	14			0.035	
110	16871-03313	ZYLINDERKO PFDICHTUNG	GASKET (HEAD,CYL)	1		<=4CVZ999	0.083	
110	1J092-03310	ZYLINDERKO PFDICHTUNG	GASKET (CYL.HEAD)	1	>>	>=4CW0001	0.135	
120	16667-57692	STREBE	STAY	1			0.100	
130	19837-57923	RUECKZUGF EDER	SPRING,RET URN	1			0.005	

Update Date : 14-05-2021 Print Date : 04-02-2022



Update Date : 14-05-2021 Print Date : 04-02-2022

No.	Part Number	Part Name (POL)	Part Name (ENG)	QTY	IC	Serial No./PIN	Kg	Remarks
010	1G820-04024	KMP.GETRIEBE GEHAEUSE	COMP.CASE, GEAR	1			2.040	
020	15521-96030	STOPFEN	PLUG	2			0.007	
030	1G820-56282	STREBE, STARTERFEDER	STAY,START SPRING	1			0.002	
035	16861-93310	SCHRAUBE	SCREW	2			0.001	
040	15241-32290	VERBINDUNG SSTUECK	JOINT,PIPE	1			0.053	
050	15841-94010	SCHEIBE	WASHER,PLAIN	1			0.003	
060	16851-36950	FEDER	SPRING	1			0.020	
070	15841-36930	SITZ,VENTIL	SEAT,VALVE	1			0.003	
080	07715-03211	KUGEL	BALL	1			0.003	
100	1G820-04130	DICHTUNG	GASKET,GEAR CASE	1			0.028	
110	01023-50618	BOLZEN	BOLT,SEMS	1		<=4CXZ999	0.006	
110	01754-50616	SCHRAUBE	BOLT,FLANGE	1	>>	>=4CY0001	0.006	
120	01023-50650	BOLZEN	BOLT,SEMS	9			0.012	
130	15841-91010	BOLZEN	BOLT	2			0.014	
140	01023-50680	BOLZEN	BOLT,SEMS	2			0.017	
150	01023-50690	BOLZEN	BOLT,SEMS	1			0.019	
170	15877-04140	OELDICHTUNG GSRING	SEAL,OIL	1		<=4DPZ999	0.011	
170	1J094-04140	OELDICHTUNG GSRING	SEAL,OIL	1	>>	>=4DQ0001	0.013	
180	HH150-32430	OELFILTERP ATRONE	FILTER (CARTRIDGE, OIL)	1			0.200	
190	T1060-32270	DREHZAHLSEN SOR	SENSOR	1		<=4HXZ999	0.022	
190	5H911-42622	EINHEIT	SENSOR (REVOLUTION)	1	>>	>=4HY0001	0.025	
190	1G171-59660	DREHZAHLSEN SOR	SENSOR (REVOLUTION)	1	>>	>=4JY0001	0.020	
200	01023-50616	BOLZEN	BOLT,SEMS	1			0.006	





Download the full PDF manual instantly.

Our customer service e-mail:

aservicemanualpdf@yahoo.com